

Question No. 1(c)(iii)

ADVANCED LEVEL TECHNOLOGY AND DESIGN  
ASSESSMENT UNIT A2 1  
January 2011

Centre Number

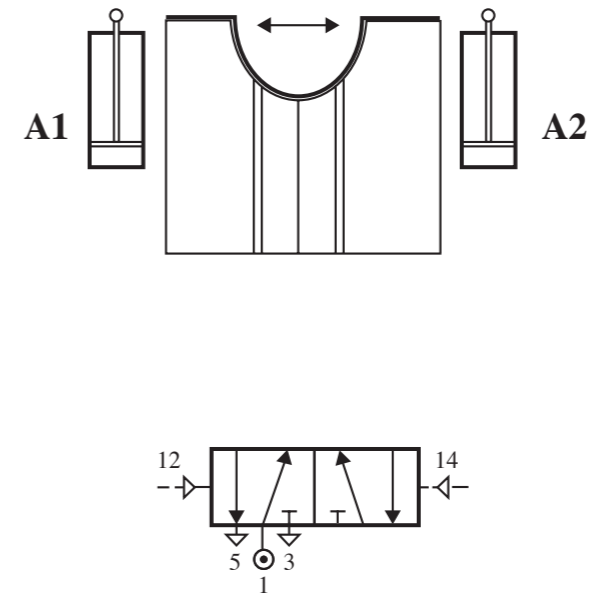
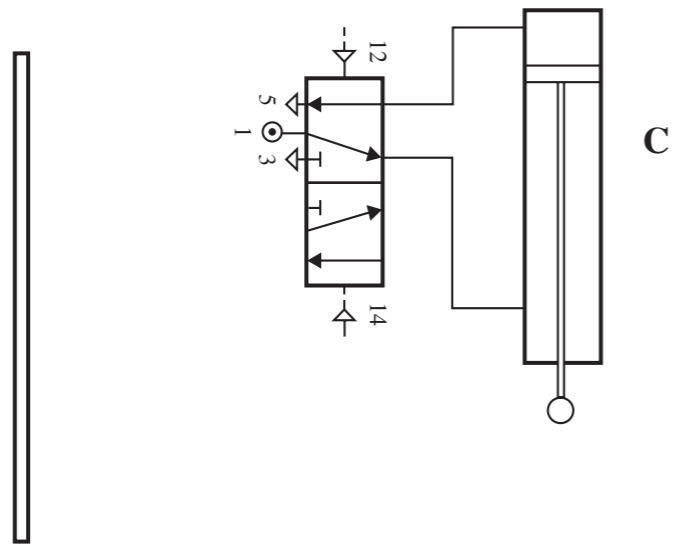
71	
----	--

Candidate Number

--

Pro forma answer page  
(answer number 1(c)(iii))





Pro forma answer page  
(answer number 4(d))

