

Biological molecules – 2020 IGCSE 0610

1. **March/2020/Paper_12/No.9**

A test was performed on a food substance. A positive result was shown by a colour change to blue-black.

What solution was used for the test?

- A biuret solution
- B DCPIP solution
- C iodine solution
- D Benedict's solution

2. **March/2020/Paper_22/No.9**

A test was performed on a food substance. A positive result was shown by a colour change to blue-black.

What solution was used for the test?

- A biuret solution
- B DCPIP solution
- C iodine solution
- D Benedict's solution

3. **June/2020/Paper_11/No.8**

Which food-testing solution shows a positive result when it turns from blue to purple?

- A Benedict's solution
- B biuret solution
- C ethanol
- D iodine solution

4. **June/2020/Paper_11/No.31**

What is defined as a length of DNA that codes for a protein?

- A amino acid
- B chromosome
- C gene
- D nucleus

5. **June/2020/Paper_12/No.11**

Which substance found in a healthy diet helps to prevent constipation?

- A fat
- B fibre
- C minerals
- D vitamins

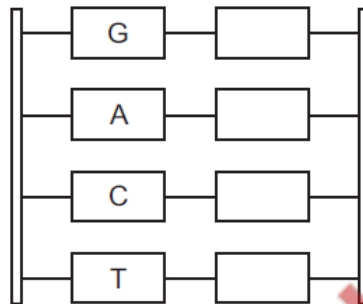
6. June/2020/Paper_13/No.8

Which food-testing solution shows a positive result when it turns from blue to purple?

- A Benedict's solution
- B biuret solution
- C ethanol
- D iodine solution

7. June/2020/Paper_21/No.7

The diagram shows a section of DNA, with four bases identified on one strand.



Which sequence of bases would be on the other strand, starting from the top?

- A AGTC
- B CTGA
- C GACT
- D TCAG

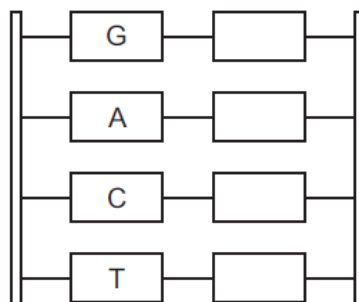
8. June/2020/Paper_21/No.8

Which food-testing solution shows a positive result when it turns from blue to purple?

- A Benedict's solution
- B biuret solution
- C ethanol
- D iodine solution

9. June/2020/Paper_22/No.7

The diagram shows a section of DNA, with four bases identified on one strand.



Which sequence of bases would be on the other strand, starting from the top?

- A AGTC
- B CTGA
- C GACT
- D TCAG

10. June/2020/Paper_22/No.8

Which food-testing solution shows a positive result when it turns from blue to purple?

- A Benedict's solution
- B biuret solution
- C ethanol
- D iodine solution

11. June/2020/Paper_22/No.29

Which row describes what happens in the production of proteins?

	what forms the genetic code	what the DNA codes for	what carries a copy of the gene to the cytoplasm
A	sequence of amino acids	sequence of bases	mRNA
B	sequence of amino acids	sequence of proteins	ribosomes
C	sequence of bases	sequence of amino acids	mRNA
D	sequence of bases	sequence of proteins	ribosomes

