

Movement into and out of cells – 2020 IGCSE 0610

1. Nov/2020/Paper_11/No.7

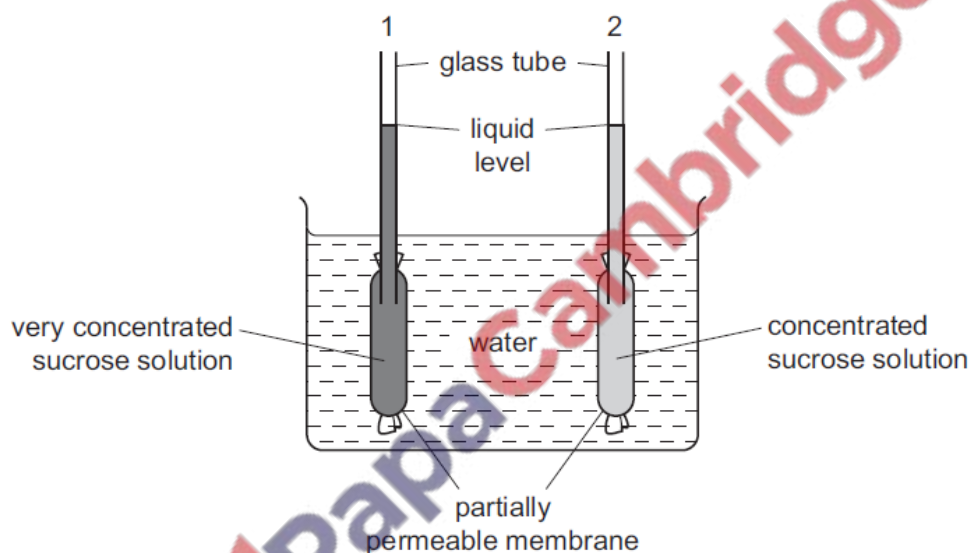
What are features of osmosis?

	diffusion is involved	requires cell walls	requires a partially permeable membrane
A	✓	x	✓
B	✓	x	x
C	x	✓	✓
D	x	✓	x

key
 ✓ = yes
 x = no

2. Nov/2020/Paper_11/No.8

The diagram shows apparatus which can be used to demonstrate osmosis.



After one hour, what would happen to the liquid levels in the glass tubes?

	liquid level in tube 1	liquid level in tube 2
A	falls	falls
B	falls	rises
C	rises	falls
D	rises	rises

3. Nov/2020/Paper_12/No.7

What are features of osmosis?

	diffusion is involved	requires cell walls	requires a partially permeable membrane
A	✓	x	✓
B	✓	x	x
C	x	✓	✓
D	x	✓	x

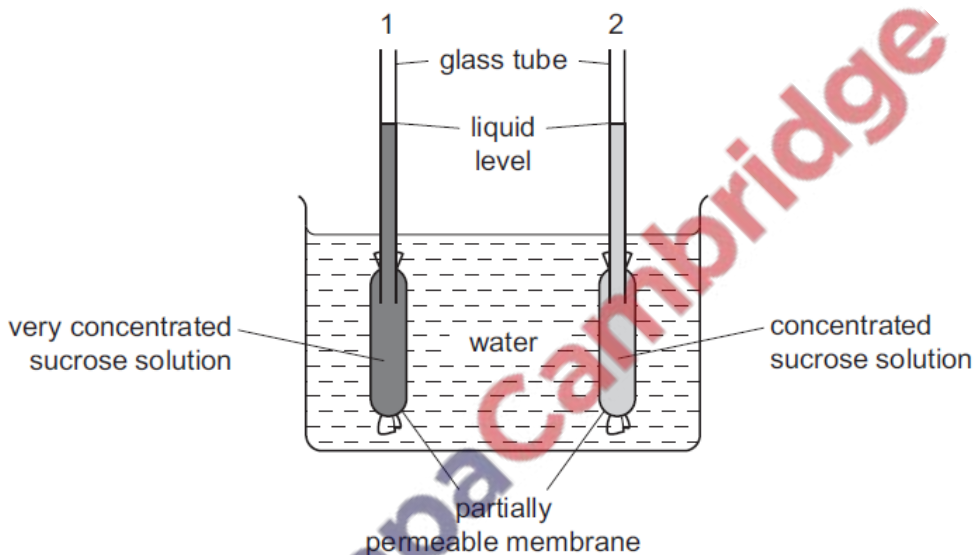
key

✓ = yes

x = no

4. Nov/2020/Paper_13/No.8

The diagram shows apparatus which can be used to demonstrate osmosis.



After one hour, what would happen to the liquid levels in the glass tubes?

	liquid level in tube 1	liquid level in tube 2
A	falls	falls
B	falls	rises
C	rises	falls
D	rises	rises

5. Nov/2020/Paper_13/No.7

What are features of osmosis?

	diffusion is involved	requires cell walls	requires a partially permeable membrane
A	✓	x	✓
B	✓	x	x
C	x	✓	✓
D	x	✓	x

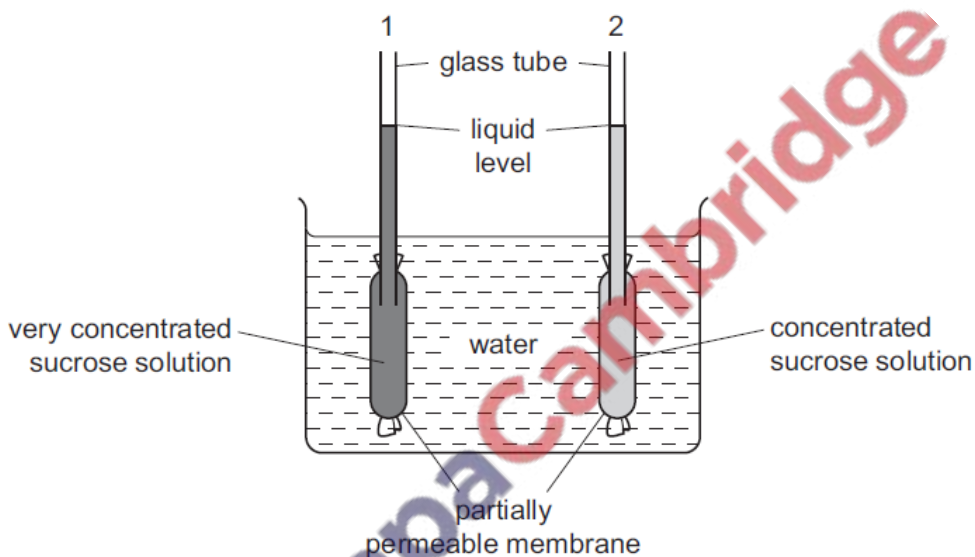
key

✓ = yes

x = no

6. Nov/2020/Paper_13/No.8

The diagram shows apparatus which can be used to demonstrate osmosis.



After one hour, what would happen to the liquid levels in the glass tubes?

	liquid level in tube 1	liquid level in tube 2
A	falls	falls
B	falls	rises
C	rises	falls
D	rises	rises

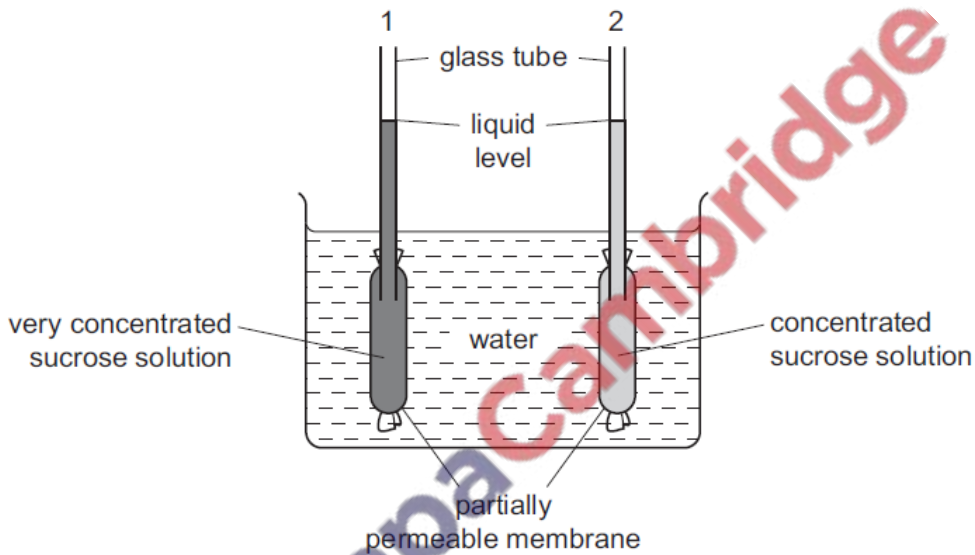
7. [Nov/2020/Paper_21/No.5](#)
 What are features of osmosis?

	diffusion is involved	requires cell walls	requires a partially permeable membrane
A	✓	x	✓
B	✓	x	x
C	x	✓	✓
D	x	✓	x

key
 ✓ = yes
 x = no

8. [Nov/2020/Paper_21/No.6](#)

The diagram shows apparatus which can be used to demonstrate osmosis.



After one hour, what would happen to the liquid levels in the glass tubes?

	liquid level in tube 1	liquid level in tube 2
A	falls	falls
B	falls	rises
C	rises	falls
D	rises	rises

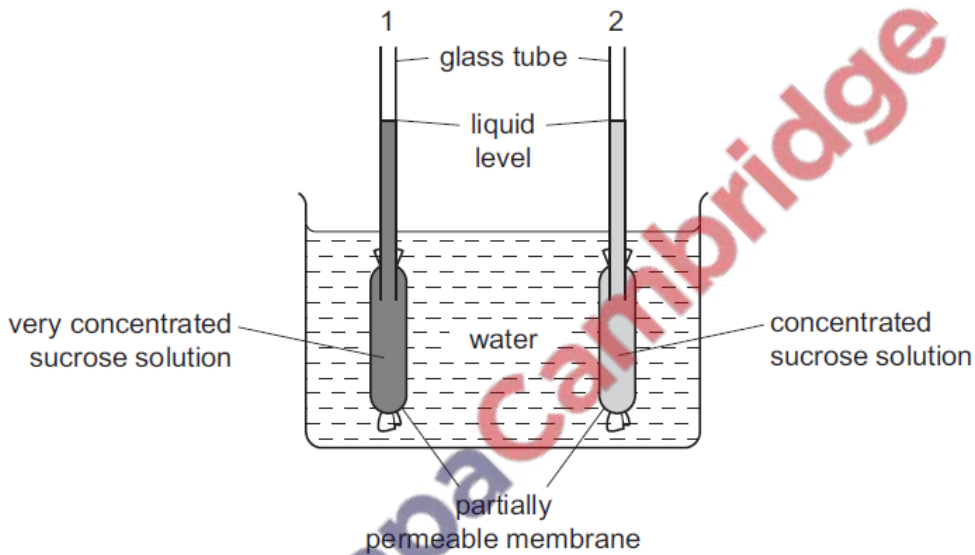
9. Nov/2020/Paper_22/No.5
What are features of osmosis?

	diffusion is involved	requires cell walls	requires a partially permeable membrane
A	✓	x	✓
B	✓	x	x
C	x	✓	✓
D	x	✓	x

key
✓ = yes
x = no

10. Nov/2020/Paper_22/No.6

The diagram shows apparatus which can be used to demonstrate osmosis.



After one hour, what would happen to the liquid levels in the glass tubes?

	liquid level in tube 1	liquid level in tube 2
A	falls	falls
B	falls	rises
C	rises	falls
D	rises	rises

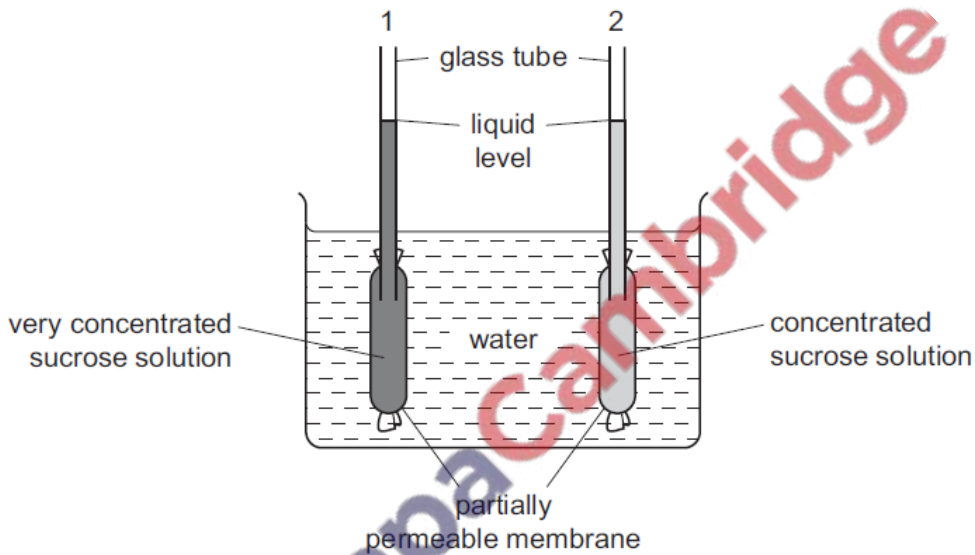
11. Nov/2020/Paper_23/No.5
 What are features of osmosis?

	diffusion is involved	requires cell walls	requires a partially permeable membrane
A	✓	x	✓
B	✓	x	x
C	x	✓	✓
D	x	✓	x

key
 ✓ = yes
 x = no

12. Nov/2020/Paper_23/No.6

The diagram shows apparatus which can be used to demonstrate osmosis.



After one hour, what would happen to the liquid levels in the glass tubes?

	liquid level in tube 1	liquid level in tube 2
A	falls	falls
B	falls	rises
C	rises	falls
D	rises	rises