



Cambridge IGCSE™

CANDIDATE
NAME

CENTRE
NUMBER

| | | | | |
|--|--|--|--|--|
| | | | | |
|--|--|--|--|--|

CANDIDATE
NUMBER

| | | | |
|--|--|--|--|
| | | | |
|--|--|--|--|



DESIGN & TECHNOLOGY

0445/42

Paper 4 Systems & Control

October/November 2023

1 hour

You must answer on the question paper.

No additional materials are needed.

INSTRUCTIONS

- Section A: answer **all** questions.
- Section B: answer **one** question.
- Use a black or dark blue pen. You may use an HB pencil for any diagrams or graphs.
- Write your name, centre number and candidate number in the boxes at the top of the page.
- Answer in the space provided.
- Do **not** use an erasable pen or correction fluid.
- Do **not** write on any bar codes.
- You may use a calculator.

INFORMATION

- The total mark for this paper is 50.
- The number of marks for each question or part question is shown in brackets [].
- All dimensions are in millimetres unless otherwise stated.

This document has **20** pages. Any blank pages are indicated.

Section A

Answer **all** questions in this section.

1 Fig. 1.1 shows part of the steel frame structure of an industrial building.



Fig. 1.1

(a) State **one** reason for using triangulation in the steel frame structure.

..... [1]

(b) The individual parts of the steel frame structure are all fabricated off-site before being assembled at the site.

Give **two** benefits of using this method for the frame structure of a building.

1

.....

2

.....

[2]

(c) Give **one** drawback of using concrete for the framework of this type of structure.

..... [1]

2 Give **two** items of Personal Protective Equipment (PPE) that should be used on the building site.

1

.....

2

.....

[2]

3 Describe, using an example, the meaning of static load in a structure.

.....
.....
..... [2]

4 Sketch and name **one** example of a third order lever.

[2]

5 Fig. 5.1 shows a linkage used on a front loader truck.

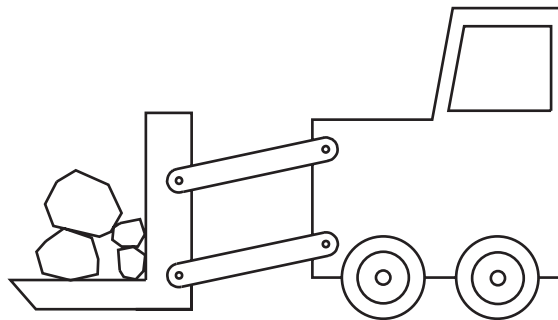


Fig. 5.1

(a) Name the type of linkage shown in Fig. 5.1.

..... [1]

(b) Explain why this type of linkage has been chosen to connect the bucket to the truck.

.....
.....
..... [2]

(c) Use sketches and notes to show a different type of linkage.

[2]

6 Fig. 6.1 shows a simplified line drawing of a small internal combustion (IC) engine.

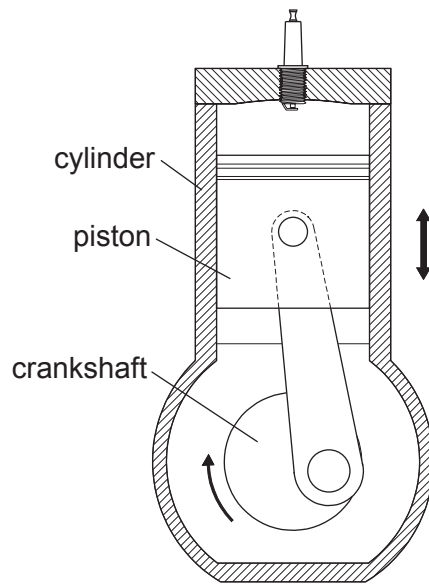


Fig. 6.1

State the conversion of motion that takes place in the IC engine when the crankshaft is driven by the piston.

..... to [2]

7 Fig. 7.1 shows part of an electronic circuit.

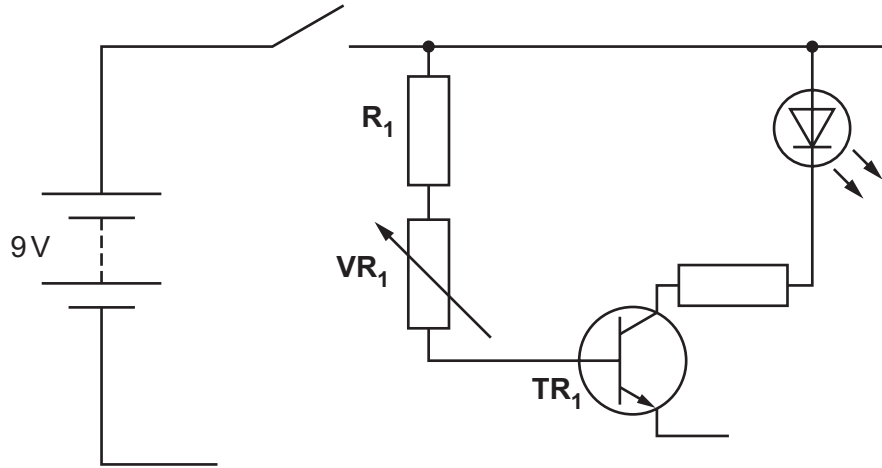


Fig. 7.1

(a) State the name of the components R_1 , VR_1 and TR_1 in the circuit.

R_1

VR_1

TR_1

[3]

(b) Multiple and sub-multiple units used in electronics contain letters to indicate their value. Give the meaning of the following letters used in unit values.

M

n

μ

[3]

8 Use sketches and notes to describe how a reed switch is operated.

[2]

Section B

Answer **one** question from this section.

- 9 Fig. 9.1 shows part of a model of a roof truss. Joints at **X** and **Y** have been glued together.

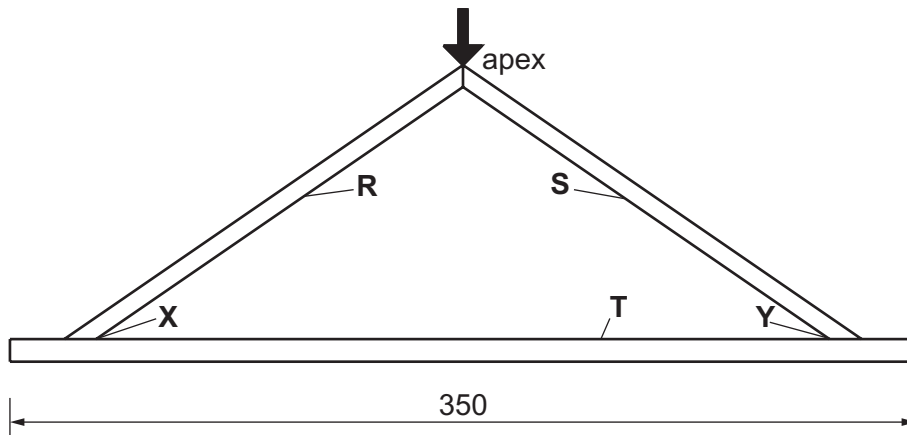


Fig. 9.1

- (a) (i) Name the force that will act on beam **T** when a load is placed at the apex of the truss.

..... [1]

- (ii) Describe the likely effect on the glued joints **X** and **Y** with the load in place.

.....

 [2]

- (iii) Use sketches and notes to show **one** method of strengthening joints **X** and **Y** without adding any extra materials or components to the joints.

[3]

(iv) Fig. 9.2 shows weights that will be used to test the completed model.

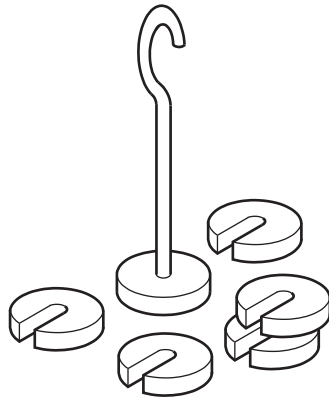


Fig. 9.2

To test the completed model the weights will be suspended from the apex where the rafters **R** and **S** meet allowing gradual, measured increase in the load. Sketch a design for a simple test rig that will allow the weights to be applied gradually.

[3]

(v) Name **one** static and **one** moving load that a full-size roof truss must withstand.

static load

moving load

[2]

(b) Fig. 9.3 shows two structures used to access a building under construction. Both structures use linkages to achieve vertical movement.

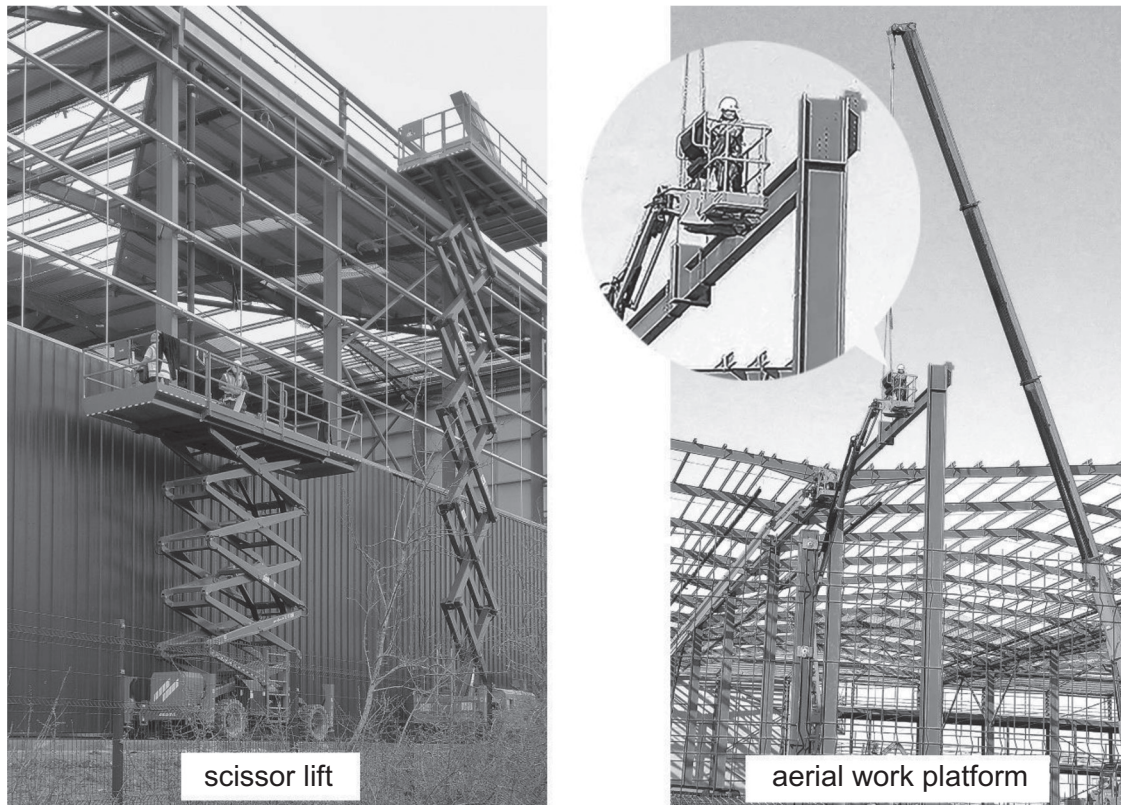


Fig. 9.3

(i) Give **two** advantages of using the scissor lift rather than an aerial work platform.

- 1
 -
 - 2
 -
- [2]

(ii) State **one** disadvantage of using the scissor lift rather than an aerial work platform.

-
- [1]

(iii) Both types of lifting equipment will require Factor of Safety to be considered. State who will be responsible for identifying the safety considerations in any lifting equipment used.

- [1]

- (iv) Describe three features of the equipment in use that will have been considered when deciding on the Factor of Safety.

.....

.....

.....

..... [3]

- (c) Fig. 9.4 shows a beam that is loaded on both sides of a central support.

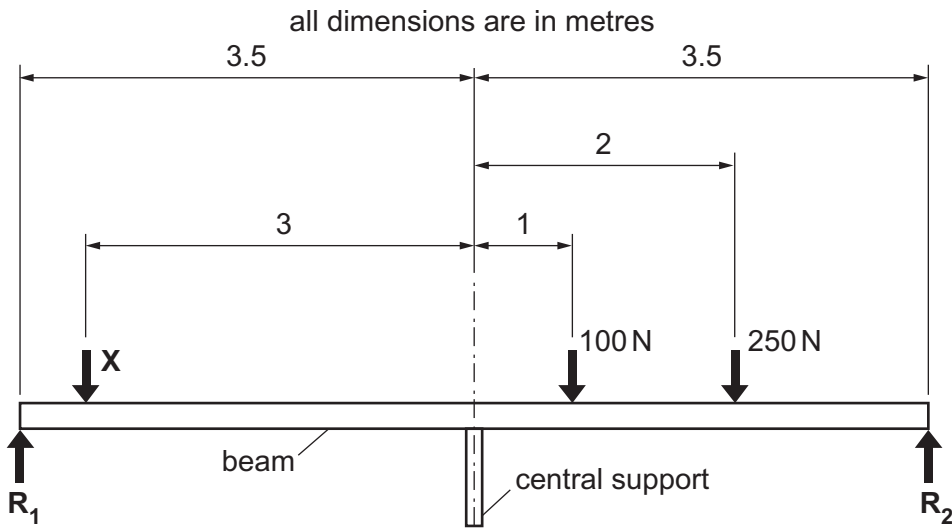


Fig. 9.4

- (i) Calculate the clockwise moment on the right-hand side of the beam.

.....

.....

.....

..... [3]

- (ii) Calculate the load that must be placed at X to keep the beam in equilibrium.

.....

.....

.....

..... [2]

- (iii) State the reaction at R_1 and R_2 when the beam is in equilibrium.

..... [2]

10 (a) Fig. 10.1 shows a cam and follower mechanism.

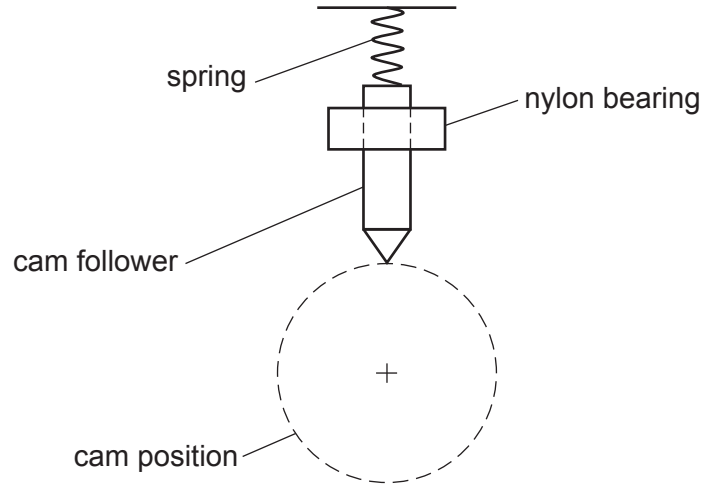


Fig. 10.1

(i) Draw a cam on the position shown in Fig. 10.1 to operate the cam follower 4 times for each revolution of the cam. [2]

(ii) State the purpose of the spring.

..... [1]

(iii) The bearing supporting the follower is made from nylon.
Give **two** properties of nylon that make it a suitable material for the bearing.

1

.....

2

.....

[2]

- (b) Fig. 10.2 shows a toy gyroscope used to demonstrate how a spinning rotor can be used to stabilise motion.
The rotor is made to spin by pulling on a string that is wrapped around the axle.

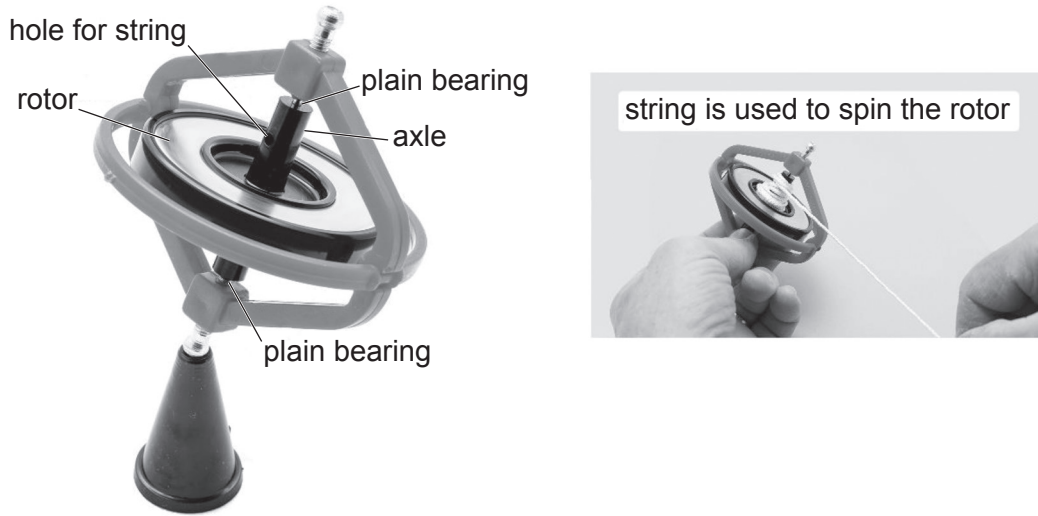


Fig. 10.2

- (i) State the conversion of motion that takes place when the string is pulled.
..... to [2]
- (ii) The axle is supported at each end by plain bearings.
Explain what is meant by a plain bearing.
.....
.....
.....
..... [2]
- (iii) State **two** factors that will affect the length of time that the rotor will spin.
1
.....
2
..... [2]

(c) Fig. 10.3 shows details of a vee belt and a flat belt that can drive a pulley in either direction.

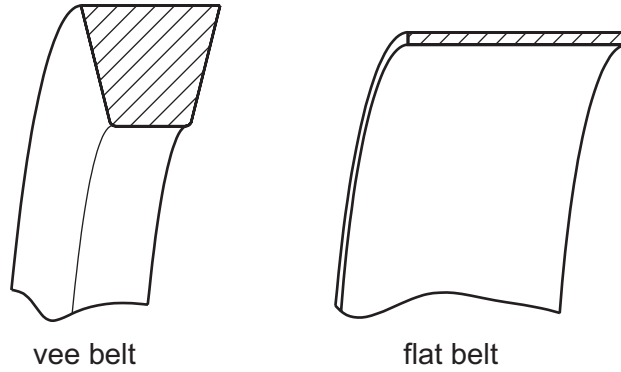


Fig. 10.3

(i) Give **two** advantages that the vee belt has when being used to drive a pulley on a machine.

- 1
-
- 2
-

[2]

(ii) Sketch the arrangement of the flat belt that will change the direction of the driven pulley.

[1]

(iii) Explain why the vee belt cannot change the direction of the driven pulley.

-
-
-
- [2]

- (iv) Use sketches and notes to show a method of tensioning a vee belt without changing the position of the pulleys.

[3]

(d) Fig. 10.4 shows a section through a car jack.

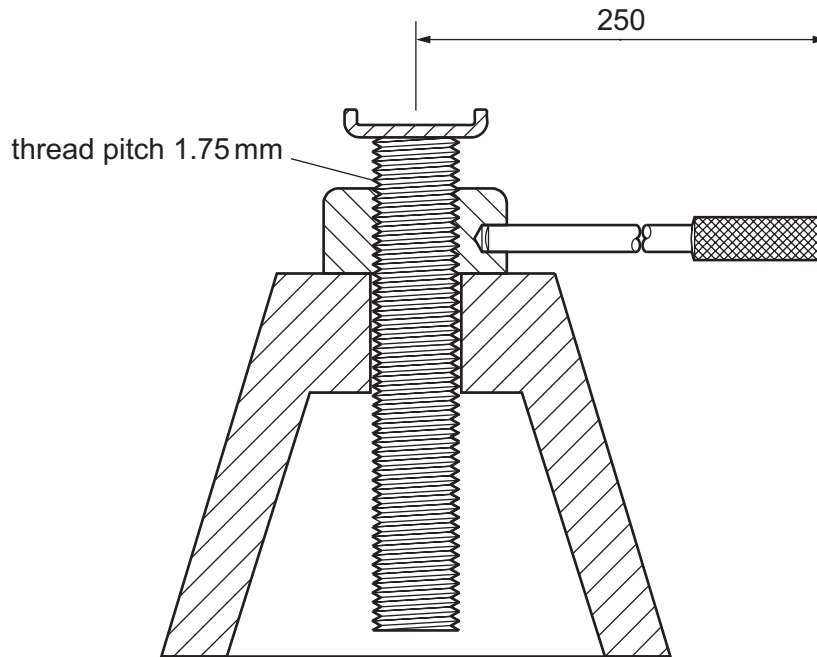


Fig. 10.4

(i) Calculate the velocity ratio (VR) of the car jack.

.....

.....

.....

..... [2]

(ii) The car jack is 30% efficient.
Give **one** reason for the loss of efficiency in the car jack.

.....

..... [1]

(iii) Calculate the effort needed to lift a load of 5 kN, ignoring the loss of efficiency.

.....

.....

.....

..... [3]

11 (a) Fig. 11.1 shows an incomplete circuit for a transistor amplifier.

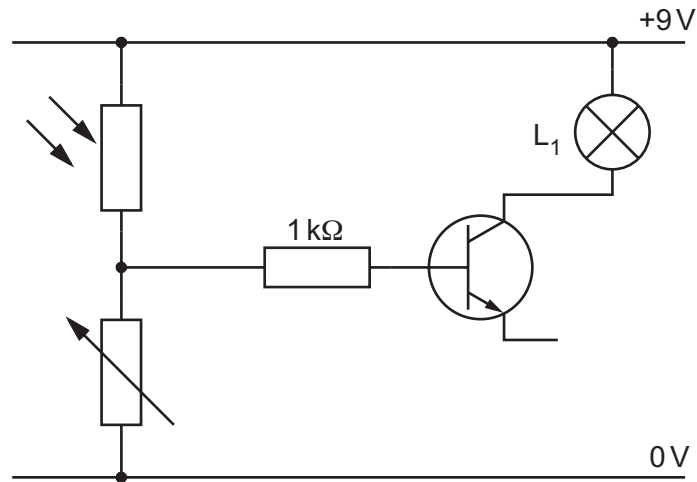


Fig. 11.1

(i) Add the missing connection to Fig. 11.1. [1]

(ii) Describe the purpose of the transistor amplifier in Fig. 11.1.

.....

.....

.....

..... [2]

(iii) Fig. 11.2 shows a pin diagram for a transistor. Label the drawing of the transistor to identify each pin.

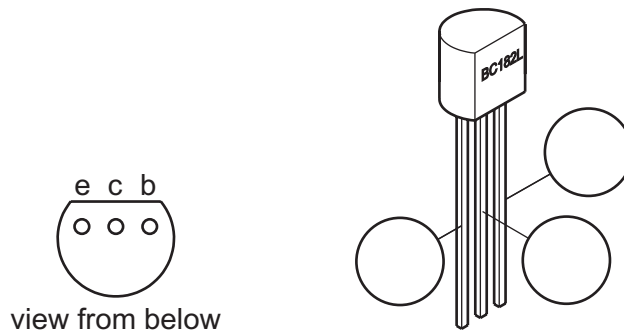


Fig. 11.2

[2]

- (b) Fig. 11.3 shows a circuit for the brake lights on a car. The brake light circuit uses 21 W filament lamps. The lights come on when the brake pedal is pressed, operating a PTM switch.

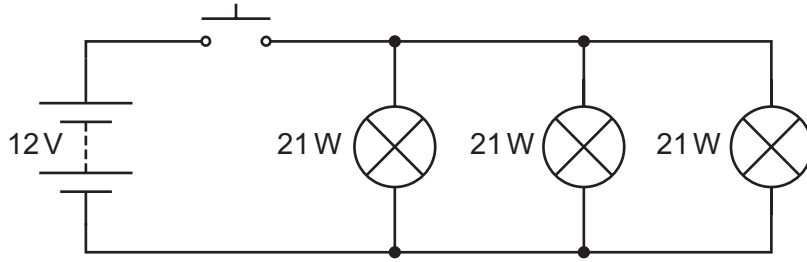


Fig. 11.3

- (i) State **one** reason for using a parallel connection for the filament lamps rather than a series connection.

.....
 [1]

- (ii) Calculate the resistance in a single 21 W lamp in the circuit.

Use the formula $\frac{P}{V} = \frac{V}{R}$

.....

 [3]

- (iii) A SPDT relay will be used to switch the lights on. State the meaning of SPDT.

..... [1]

- (iv) Give **two** benefits of using a relay to switch on electrical items.

1

 2
 [2]

- (v) Fig. 11.4 shows the relay outline and a table of test results. The tests were carried out using a multimeter on a resistor setting, to identify each connection on the relay. When a 12V supply is connected across pins 2 and 5 there is 0.001Ω resistance between pins 1 and 3.

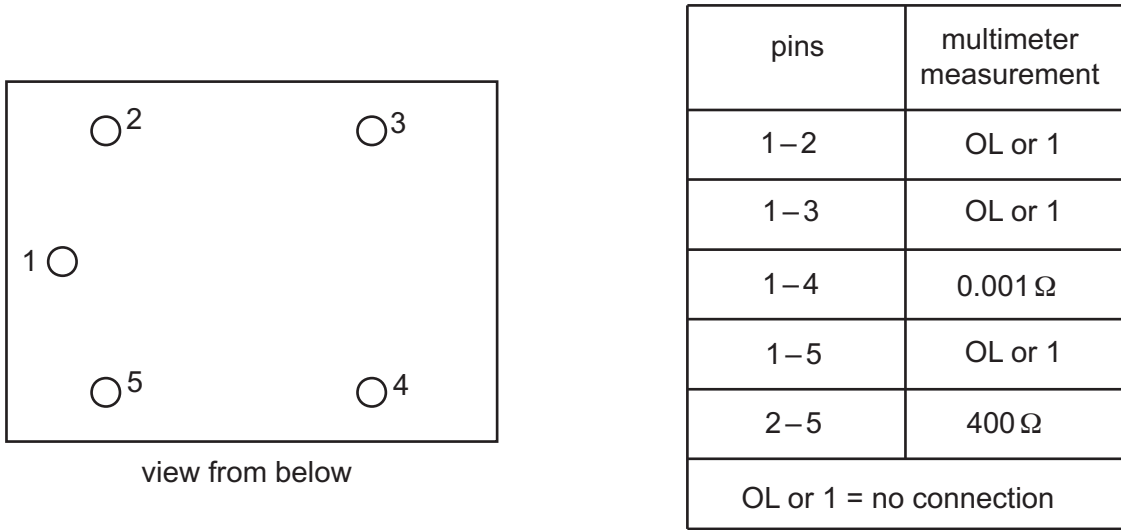


Fig. 11.4

Add symbols to the relay outline to show the following connections:

coil connections

common (C)

normally open (NO)

normally closed (NC).

[3]

- (vi) Give **one** reason why filament lamps are being replaced by LEDs in many cars.

.....

..... [1]

- (c) Fig. 11.5 shows the circuit symbol for an operational amplifier (OP AMP) that will be used to compare two voltages in a circuit.

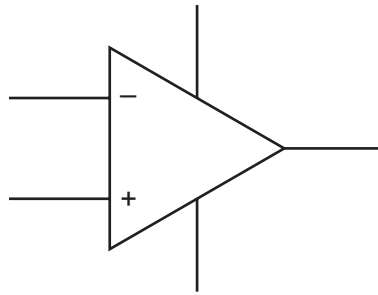


Fig. 11.5

- (i) Explain how the output of the OP AMP is decided when it is used to compare two voltages.

.....
.....
.....
.....
..... [3]

- (ii) Fig. 11.6 shows the outline of an OP AMP IC that will be used in a comparator circuit.

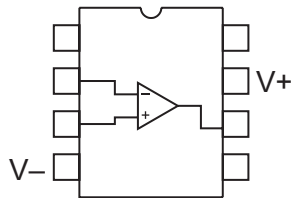


Fig. 11.6

State the pin numbers that are **not** used in the comparator circuit.

..... [3]

(d) (i) Name **one** component that can cause back emf in a circuit.

..... [1]

(ii) Use sketches and notes to show how a diode can be used in a circuit to protect against back emf.

[2]

BLANK PAGE

Permission to reproduce items where third-party owned material protected by copyright is included has been sought and cleared where possible. Every reasonable effort has been made by the publisher (UCLES) to trace copyright holders, but if any items requiring clearance have unwittingly been included, the publisher will be pleased to make amends at the earliest possible opportunity.

To avoid the issue of disclosure of answer-related information to candidates, all copyright acknowledgements are reproduced online in the Cambridge Assessment International Education Copyright Acknowledgements Booklet. This is produced for each series of examinations and is freely available to download at www.cambridgeinternational.org after the live examination series.

Cambridge Assessment International Education is part of Cambridge Assessment. Cambridge Assessment is the brand name of the University of Cambridge Local Examinations Syndicate (UCLES), which is a department of the University of Cambridge.