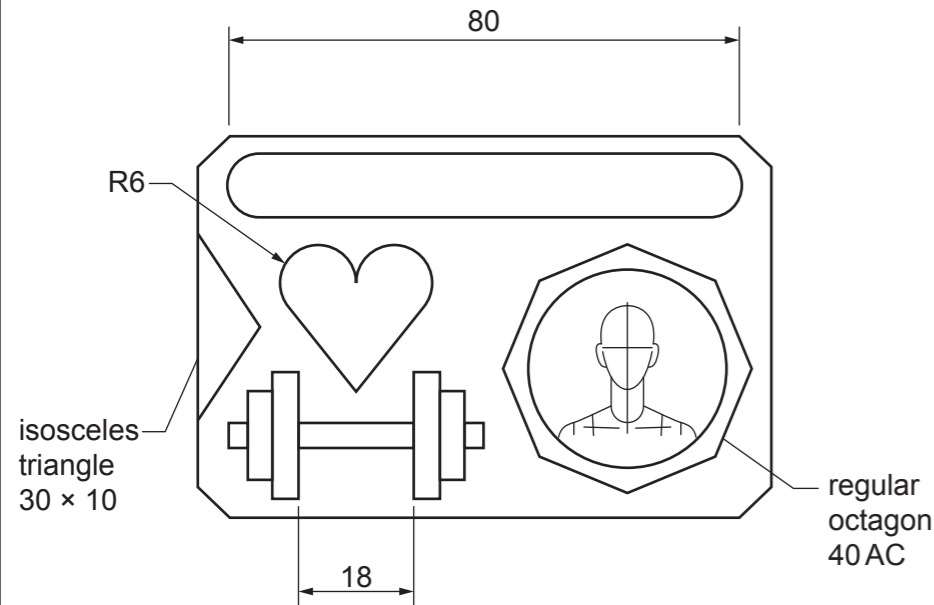


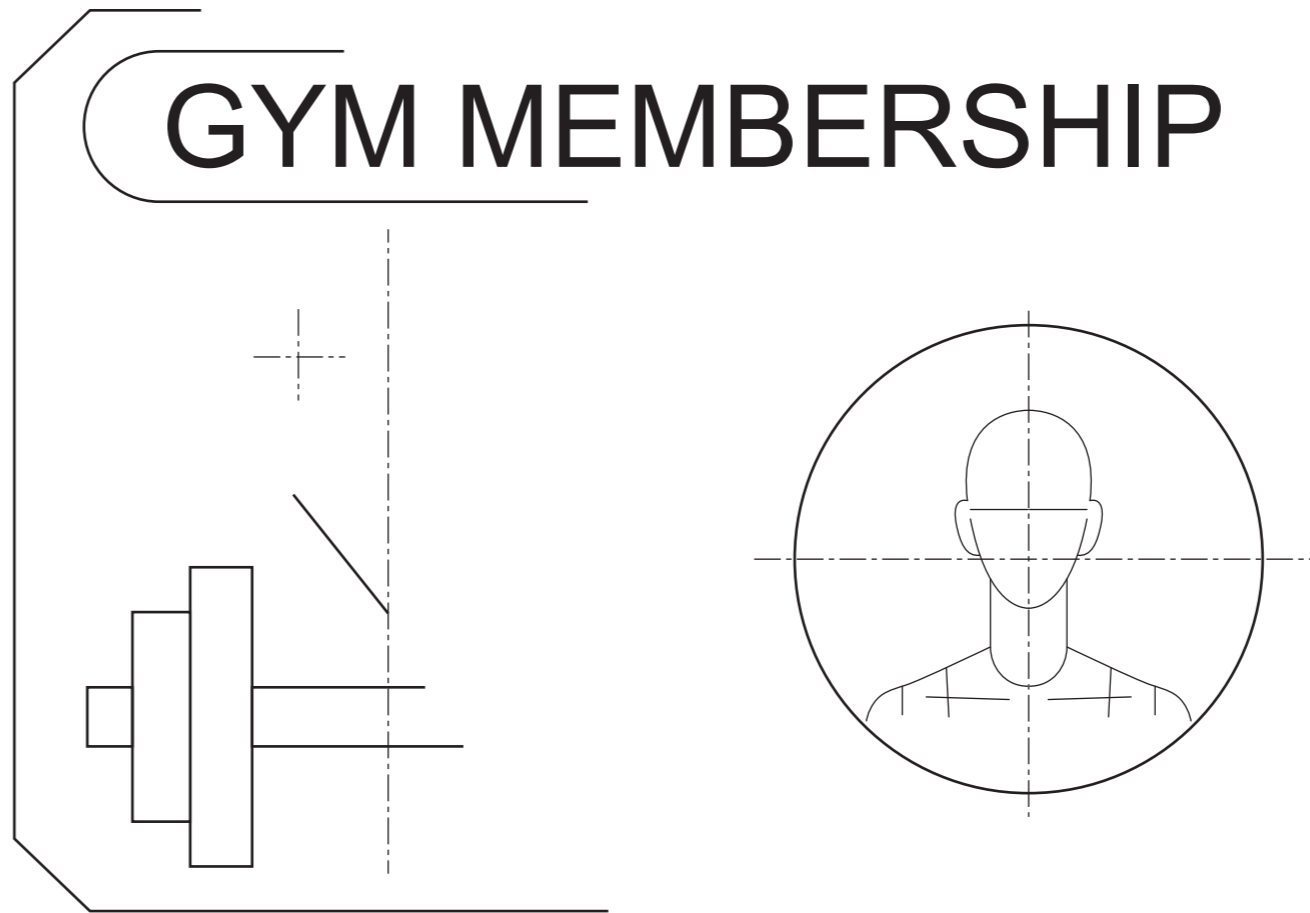
**Section A**  
Answer **all** questions in this section.

**A1** A gym membership card is shown below.



Complete the drawing of the gym membership card to a scale of 2:1 by adding:

- (a) the card outline [2]
- (b) the isosceles triangle [2]
- (c) the heart shape [2]
- (d) the weights image [2]
- (e) the title outline [2]
- (f) the octagon. [3]



**A2 (a)** The membership cards are produced using a computer.

A photograph of the gym member needs to be added to the membership card.

Explain how the photograph could be obtained and transferred onto the membership card.

.....

.....

.....

.....

.....

..... [3]

**(b)** The membership cards are printed onto thin plastic sheet.

**(i)** State **one** benefit of using thin plastic sheet for the membership cards.

.....

..... [1]

**(ii)** Name a suitable thin plastic sheet that could be used to make the membership cards.

..... [1]

**0979/52**

© UCLES 2024

May/June 2024

**1 hour**

DC (SL) 341074



Centre Number ..... Candidate Number .....

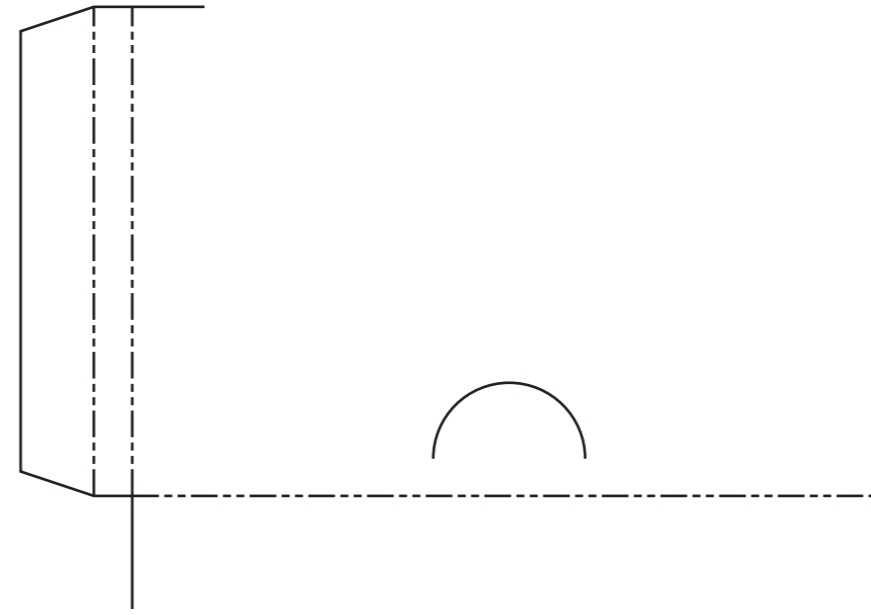
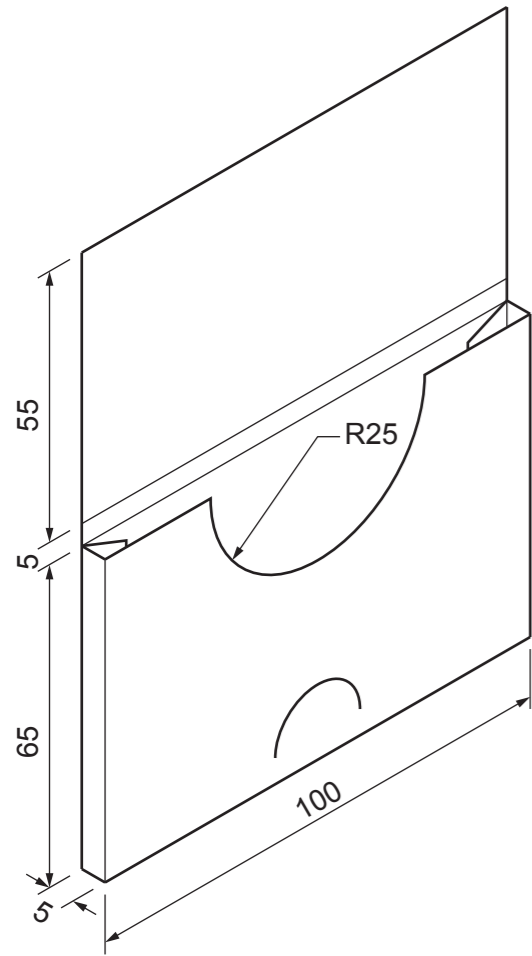
Candidate Name .....

**[Turn over**

For  
Examiner's  
use

**A3** A wallet for holding the membership card is shown below.

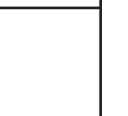
The wallet is made from thin card.



Complete the full-size development (net) of the wallet.

[7]

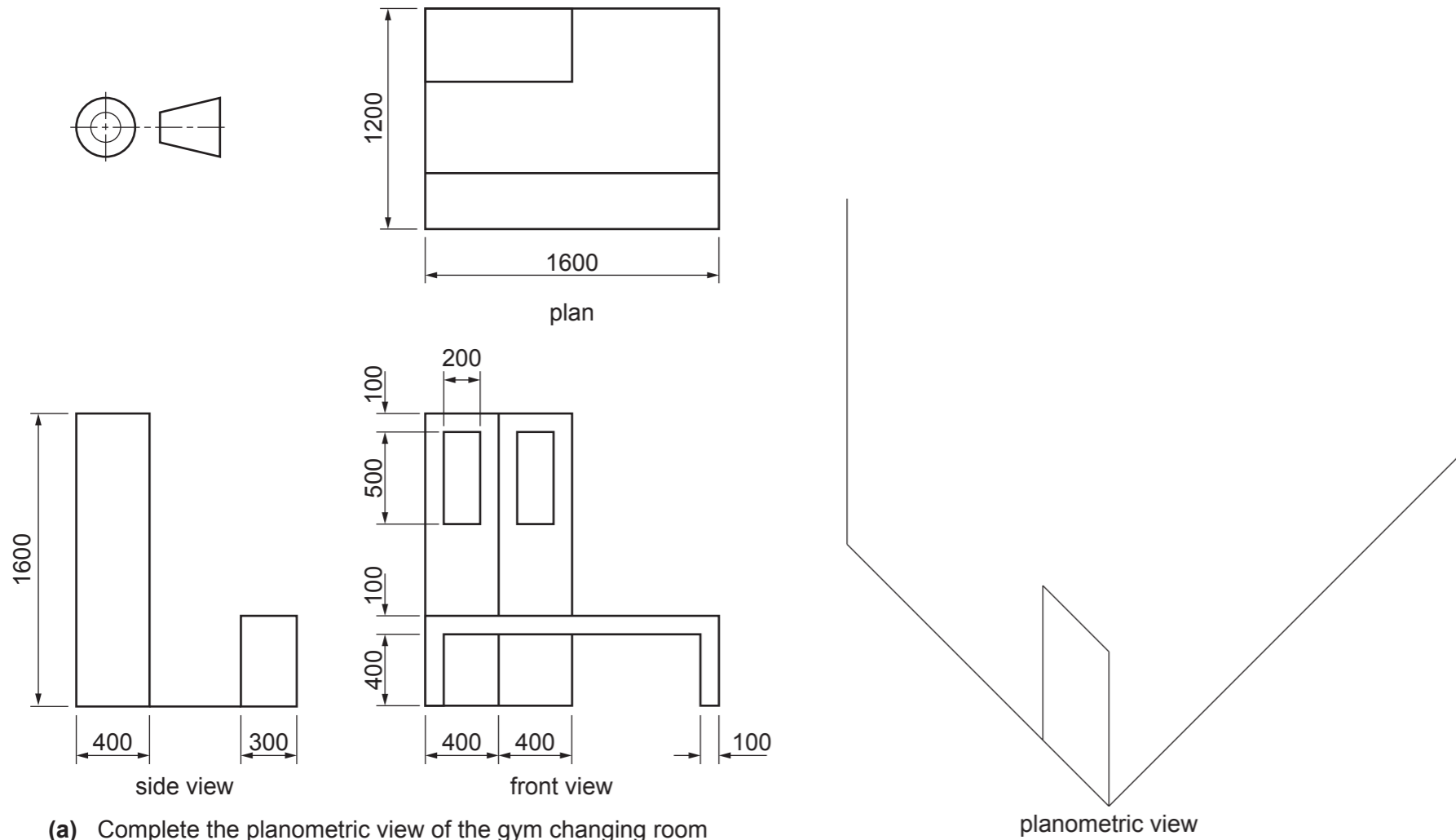
development (net)



**Section B**

Answer **one** question, **either** question **B4** or **B5**, from this section.

**B4** Orthographic views of a gym changing room are shown below.

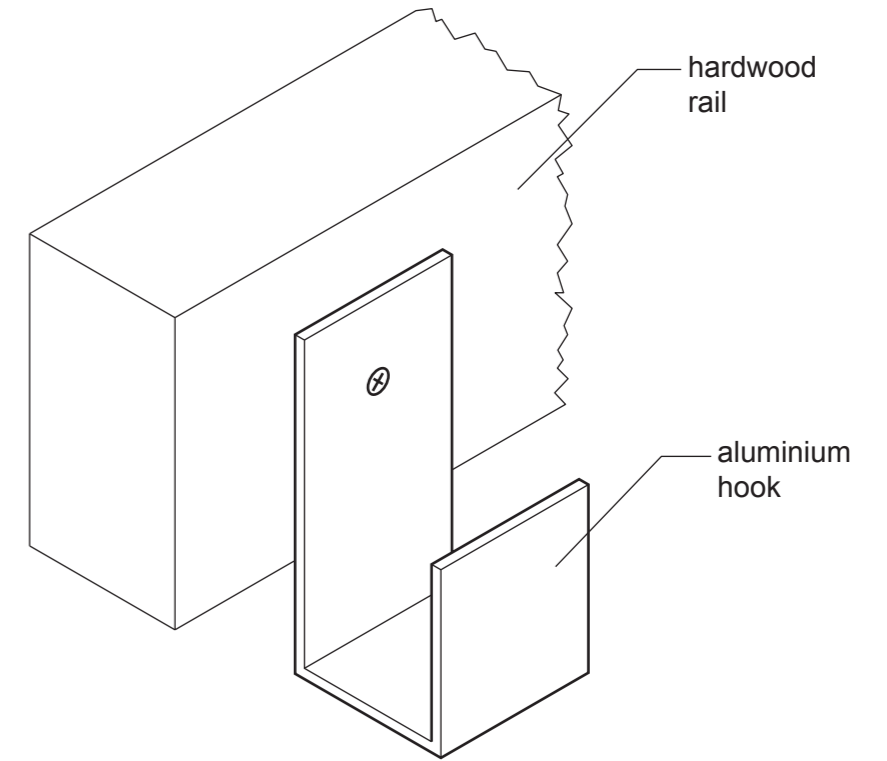


(a) Complete the planometric view of the gym changing room to a scale of 1:20. [12]

(b) A clothes hanging rail is also used in the gym changing room.

The clothes hanging rail is made from hardwood and has two aluminium hooks.

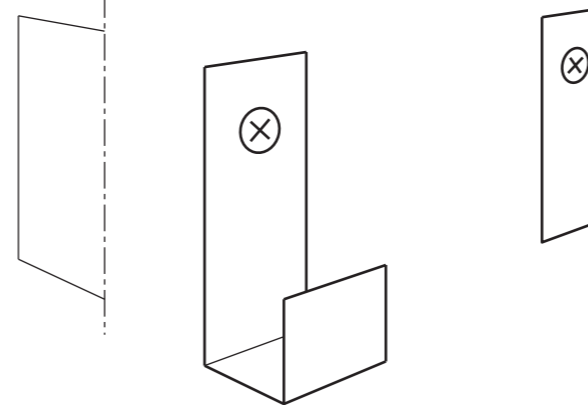
One of the hooks and part of the clothes hanging rail are shown below.



(i) Render the rail to look like hardwood. [3]

(ii) Render the hook to look like aluminium [3]

(c) Complete the estimated two-point perspective view of the hanging rail and hooks. [7]



estimated two-point perspective view

0979/52

May/June 2024

1 hour

DC (SL) 341074



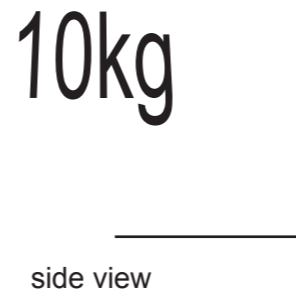
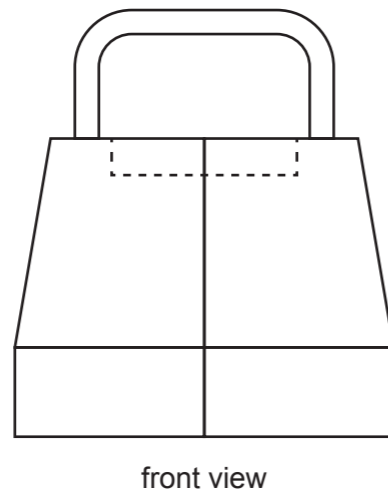
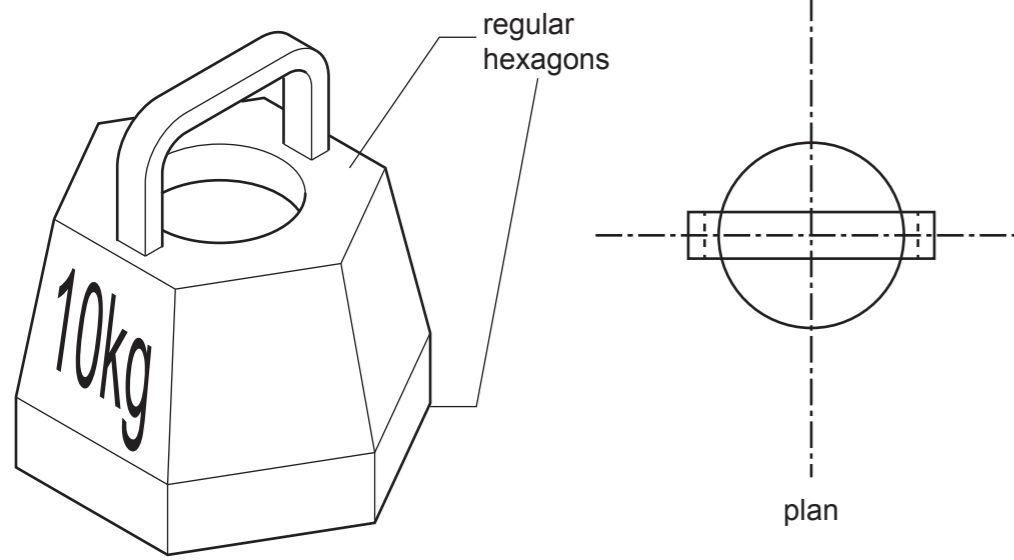
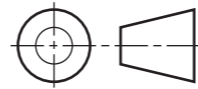
Centre Number ..... Candidate Number .....

Candidate Name .....

[Turn over

For  
Examiner's  
use

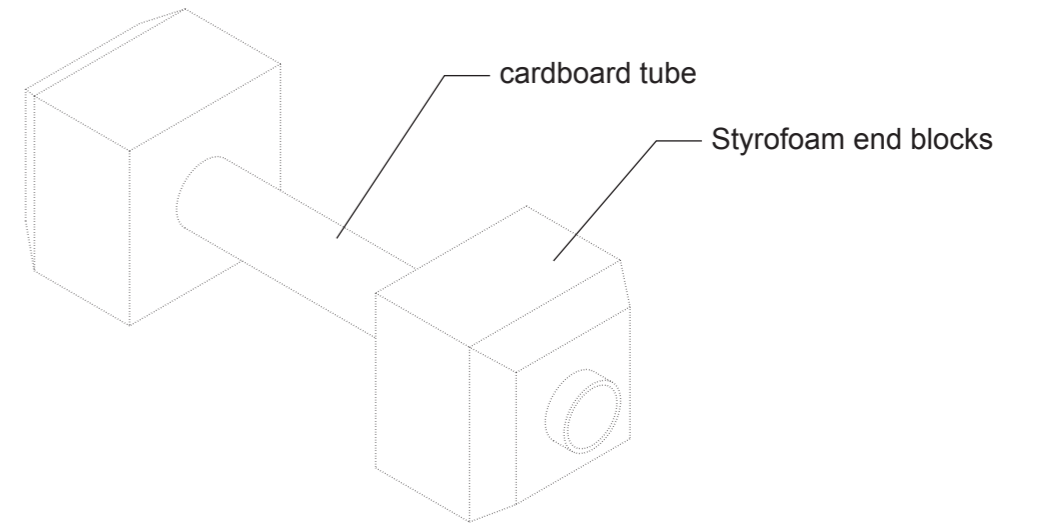
**B5** An isometric view of a gym weight is shown below.



(a) Complete the orthographic views of the gym weight to a scale of 1:5. [13]

(b) A model of another gym weight is shown below.

(i) Apply thick and thin line technique to the model of the gym weight. [4]

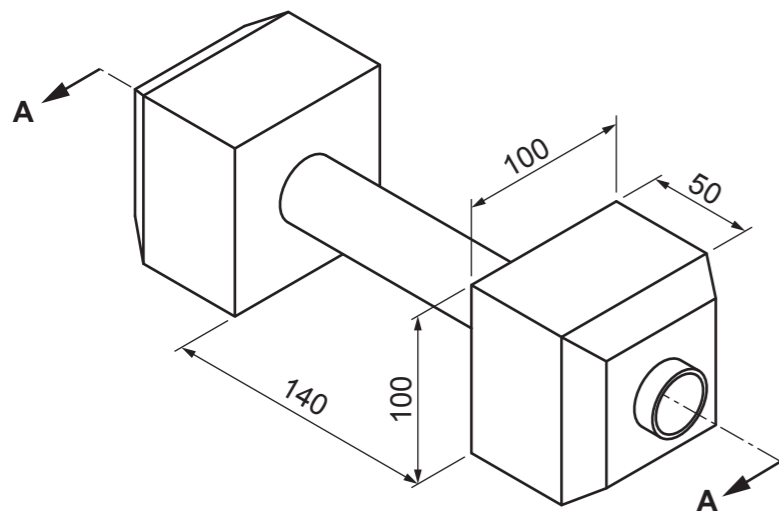


(ii) The model of the gym weight is made from Styrofoam blocks and cardboard tube.

Complete the table to show **one** tool/item of equipment for each stage of the making process. [2]

Process	Tool/item of equipment
Cutting the Styrofoam blocks to size	
Joining the Styrofoam blocks to the cardboard tube	

(c) The model of the gym weight is shown below.



sectional view A-A

Complete the sectional view **A-A** through the model of the gym weight to a scale of 1:2. [6]