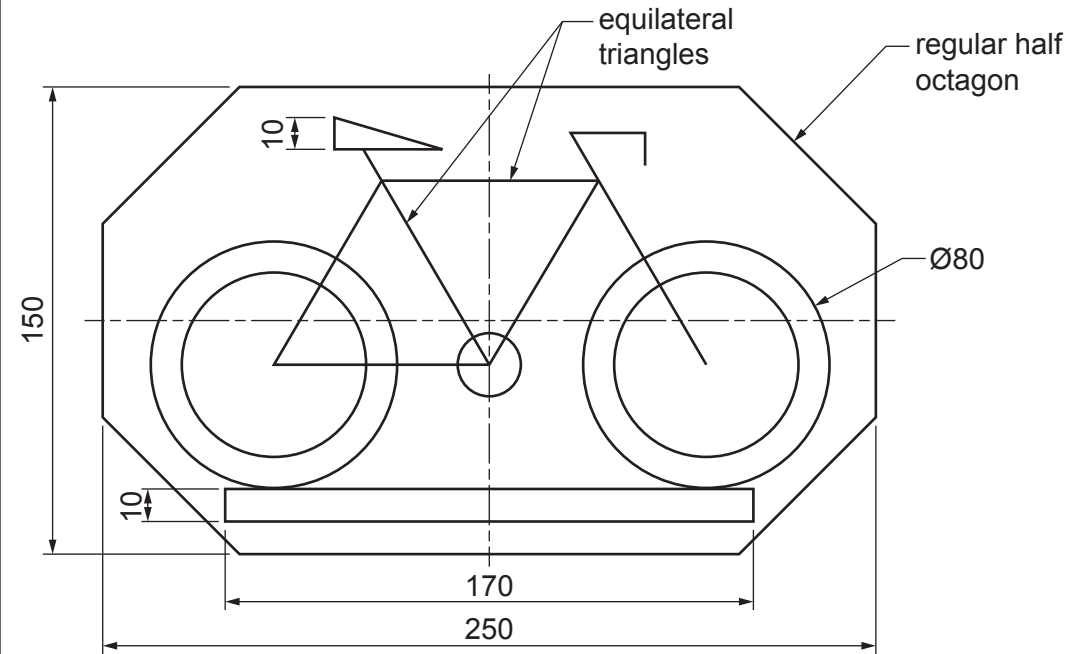


**Section A**

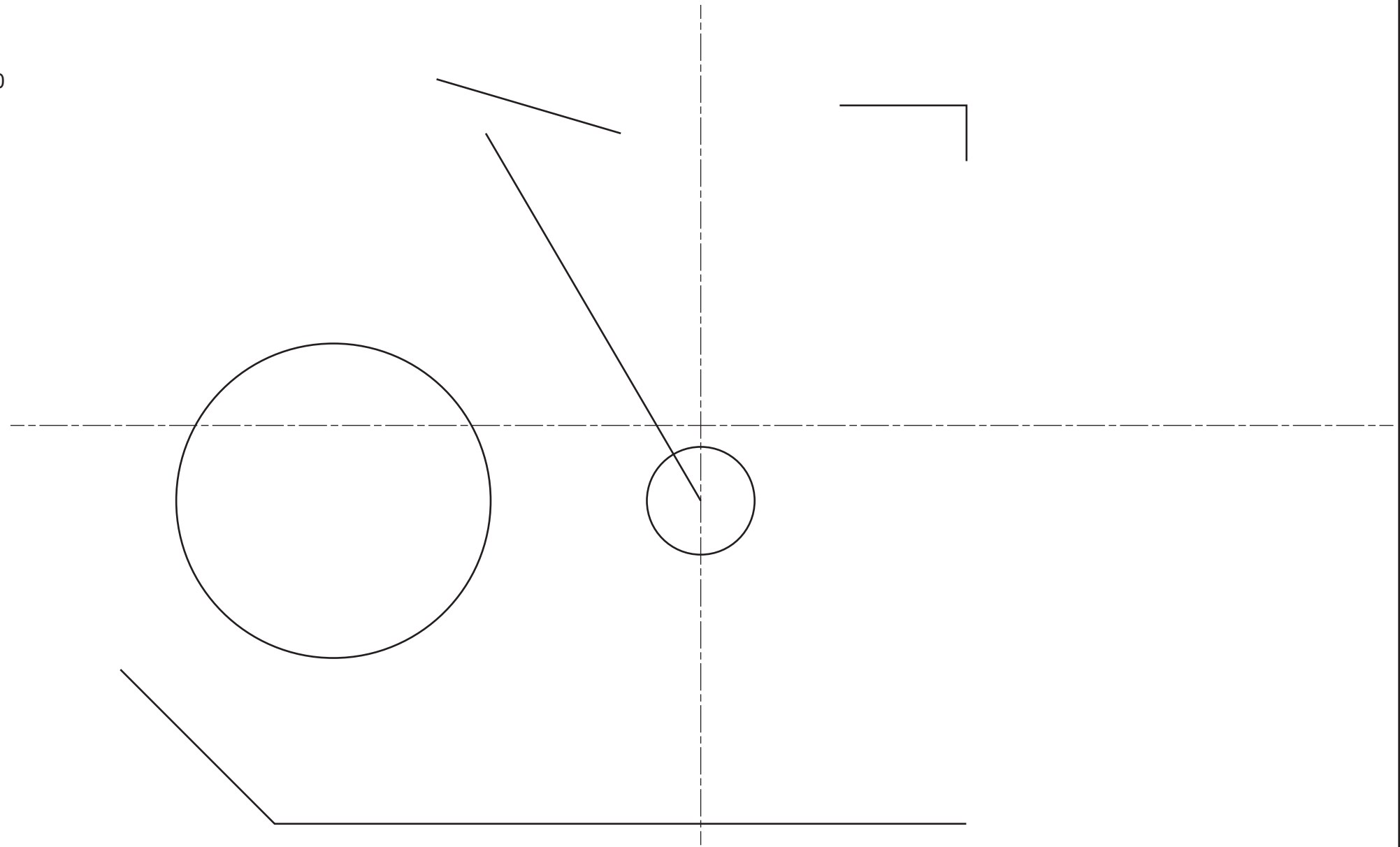
Answer **all** questions in this section.

**A1** A sign for a cycle lane is shown below.



Complete the full-size drawing of the cycle lane sign by adding:

- (a) the frame [5]
- (b) the wheels [3]
- (c) the seat [2]
- (d) the rectangle below the cycle [2]
- (e) the outline of the sign. [4]



**0979/52** Oct/Nov 2024  
© UCLES 2024

**1 hour**  
DC (LO) 345910



Centre Number .....

Candidate Number .....

Candidate Name .....

**[Turn over**

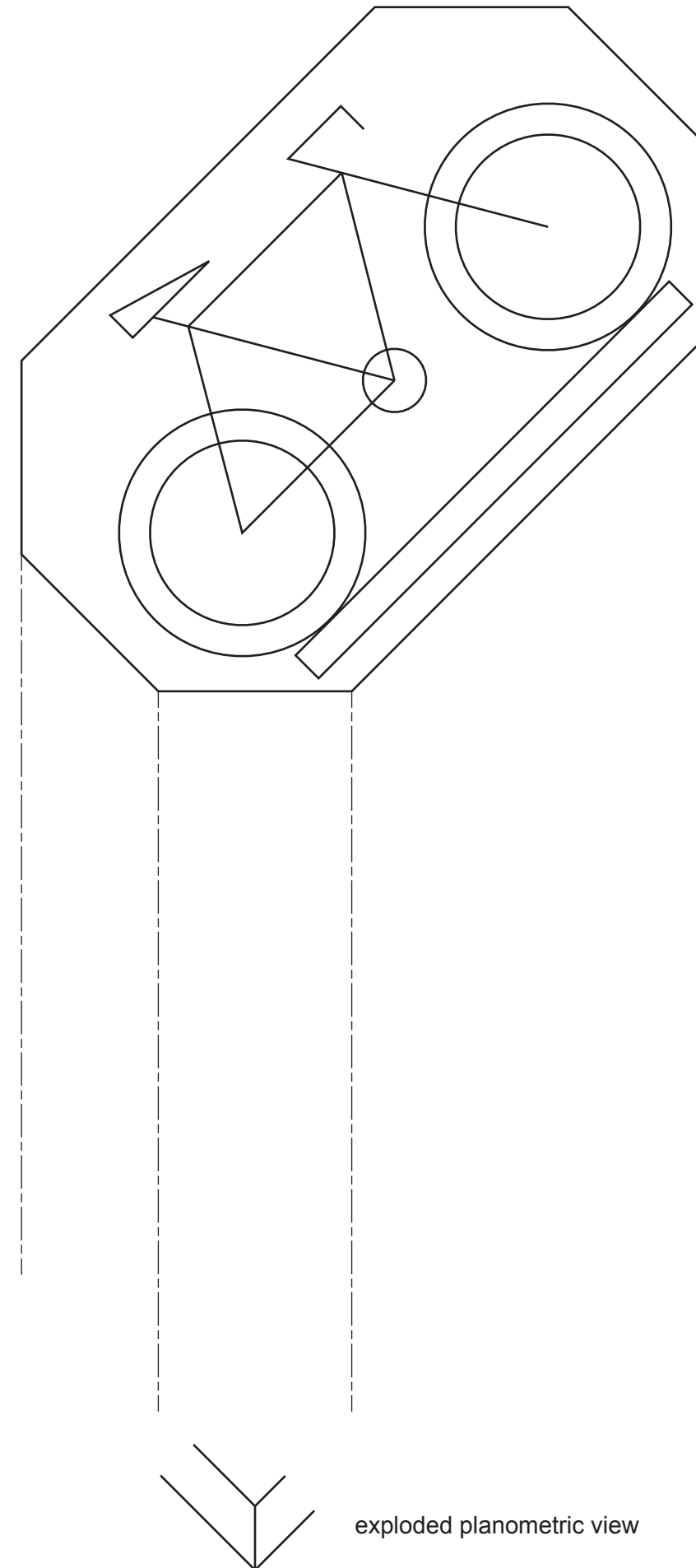
For Examiner's use

**A2** The cycle lane sign will be mounted onto a rectangular-shaped backboard.

The rectangular-shaped backboard measures 250 mm × 150 mm × 20 mm thick.

Complete the exploded planometric view of the cycle lane sign and rectangular-shaped backboard to a scale of 1 : 2.

[5]



**A3 (a)** The cycle lane sign will be made from a rigid thin plastic sheet.

(i) State **one** suitable rigid thin plastic sheet that could be used to make the cycle lane sign.

..... [1]

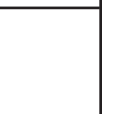
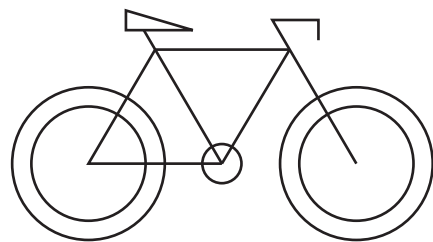
(ii) Name a suitable method of printing the design onto the thin plastic sheet.

..... [1]

**(b)** Another sign is required to inform people that cycling is not allowed.

Sketch a modification to the sign below to inform people that cycling is not allowed.

[2]

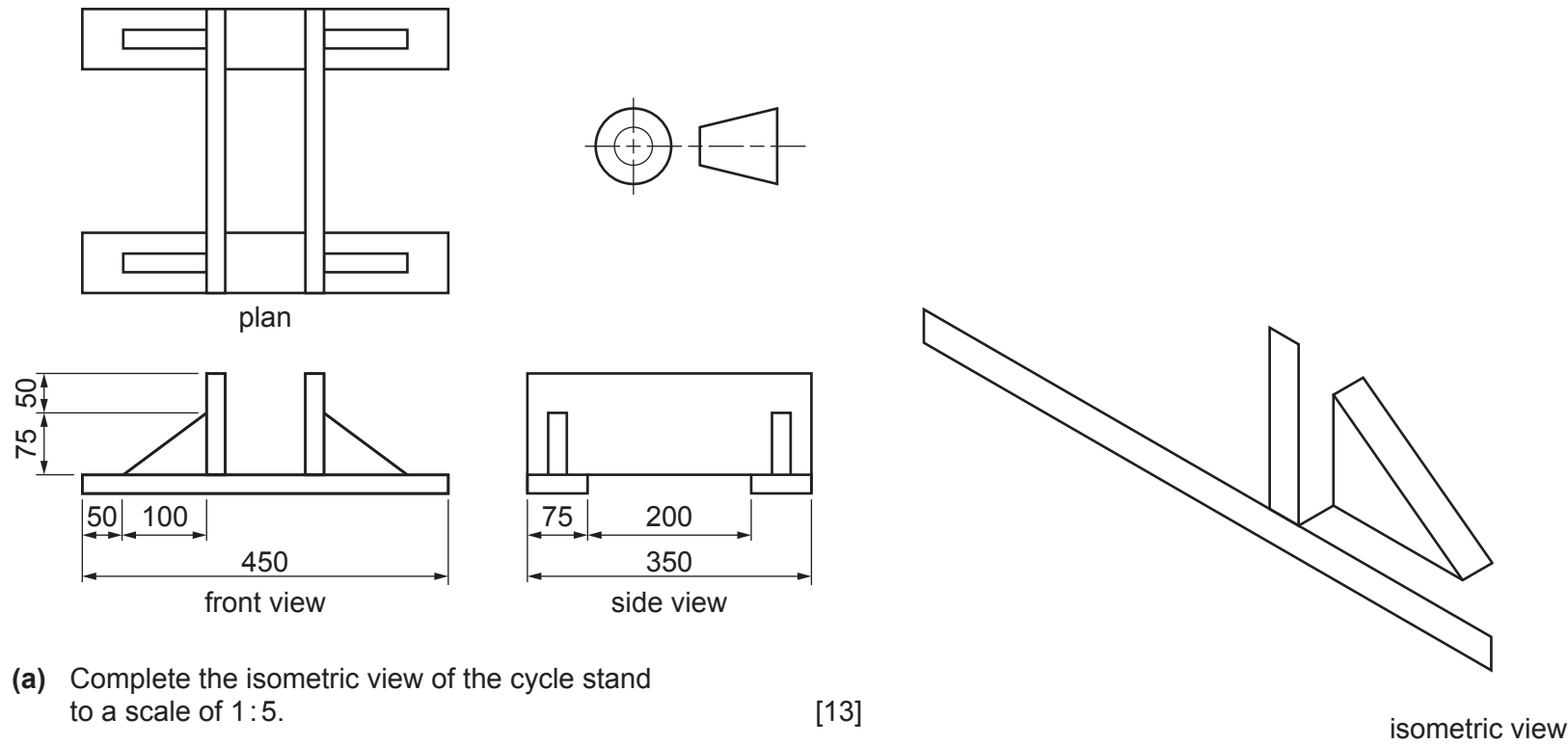


**Section B**

Answer **one** question, **either** Question **B4** or **B5**, from this section.

**B4** Orthographic views of a design for a cycle stand are shown below.

The design is made from 25 mm thick softwood.



(a) Complete the isometric view of the cycle stand to a scale of 1 : 5. [13]

(b) A scale model of the cycle stand is to be made from 12.5 mm thick Styrofoam.

- (i) State the scale used to make the model. [1]
- (ii) Complete the table to show the processes and tools/items of equipment that would be used to make the model of the cycle stand. [3]

Process	Tools/items of equipment
marking out the shapes onto the Styrofoam	marker pen
cutting out the parts	
smoothing the edges of the pieces	
joining the pieces together	

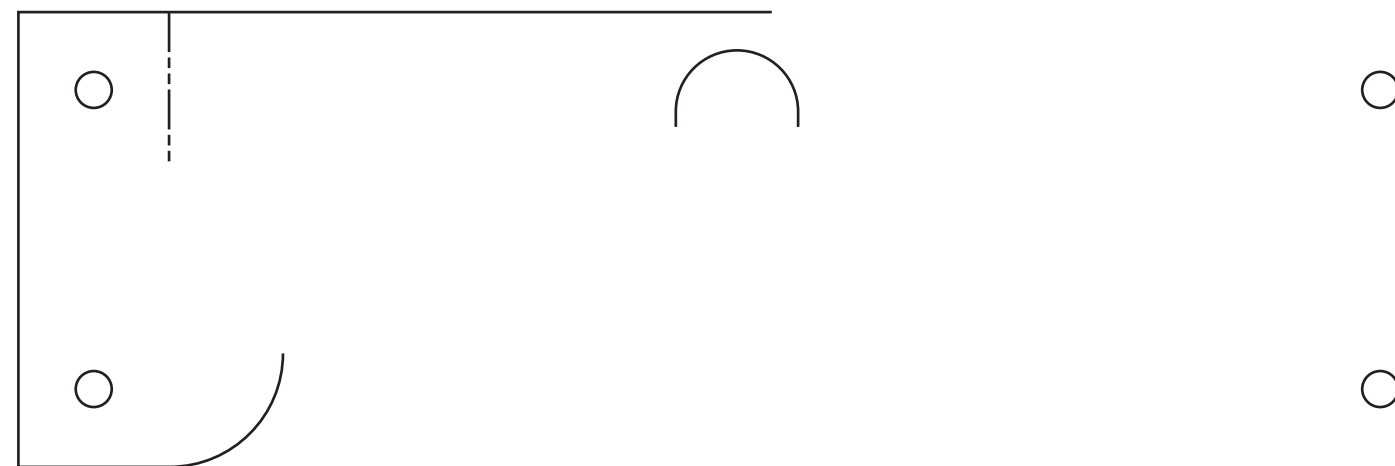
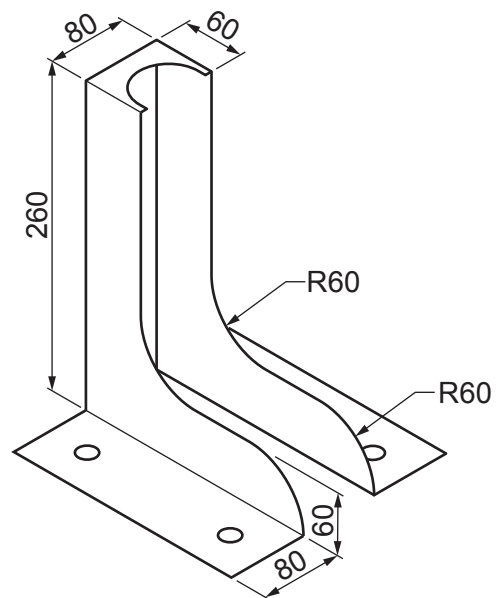
(iii) Explain **one** benefit of making a model of the design. [2]

.....

.....

.....

(c) A design for another cycle stand made from thin sheet metal is shown below.



Complete the development (net) of the cycle stand to a scale of 1 : 4. [6]

development (net)

0979/52 Oct/Nov 2024  
© UCLES 2024

1 hour  
DC (LO) 345910



Centre Number .....

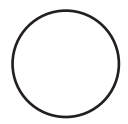
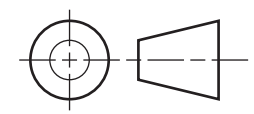
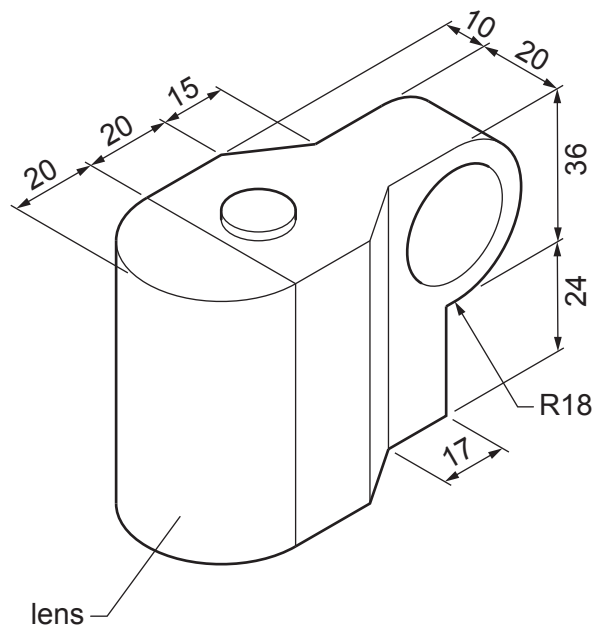
Candidate Number .....

Candidate Name .....

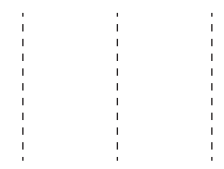
[Turn over]

For Examiner's use

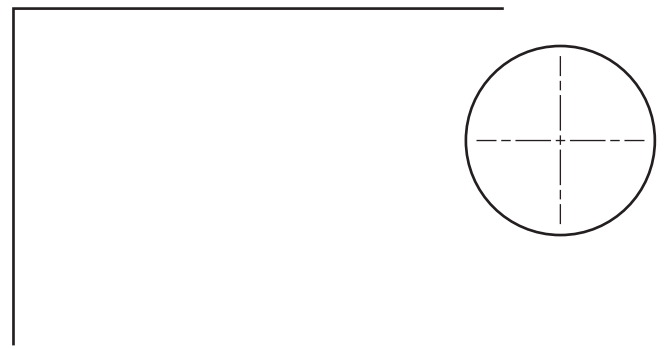
**B5** A cycle light is shown below.



plan



front view



side view

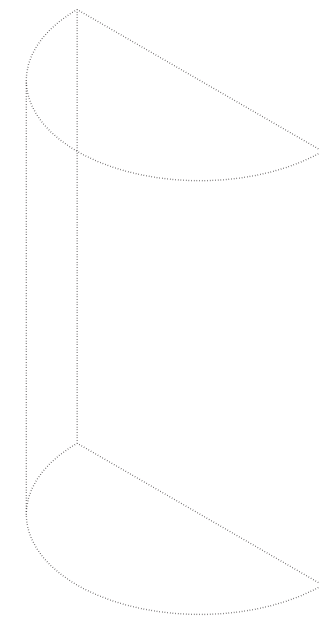
**(a)** Complete the full-size orthographic views of the cycle light. [11]

**(b)** The lens of the cycle light is shown below.

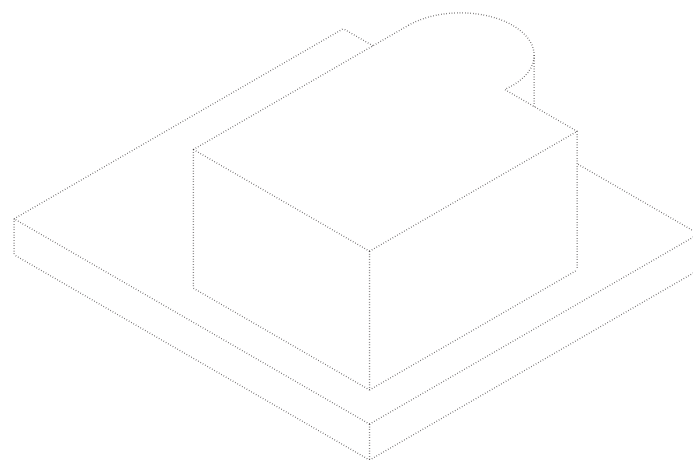
The lens is made from clear plastic.

Render the lens to look like clear plastic.

[3]



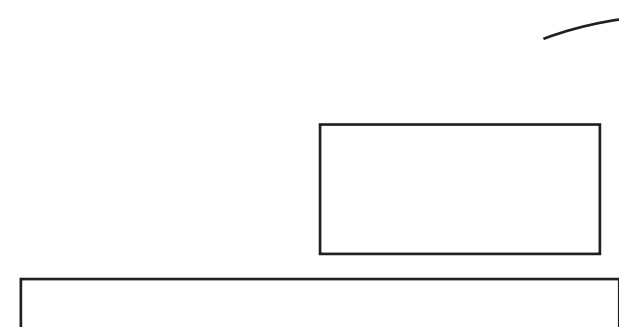
**(c)** A vacuum formed package for the cycle light will be made using the mould shown below.



Apply thick and thin line technique to the mould. [5]

**(d)** Complete the one-point perspective view of the mould. [6]

[6]



one-point perspective view