

# IGCSE Physics

## PAPER-1 CLASSIFIED QUESTIONS

Compiled by:

Teacher Hakim Abbas Ali (M.Sc.)

Mobile: 66748570

Email: hakimabbas31@gmail.com

<https://sites.google.com/site/hakimabbas31site/>

### Table of Contents

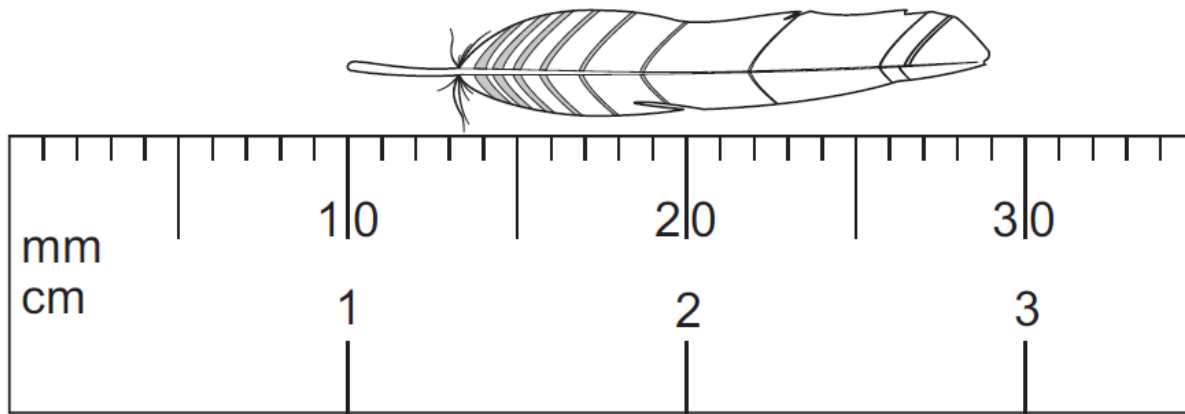
Error! Bookmark not defined.

Topic 1 – Measurements	2
Topic 2 – Speed, velocity and acceleration	8
Topic 3 – Mass and weight	19
Topic 4 – Density	26
Topic 5.1 – Force and moment-Effect of force	32
Topic 5.2– Force and moment-turning effect	40
Topic 5.3 – Force and moment-centre of mass	44
Topic 6 –Energy, work and power	48
Topic 8 – Simple kinetic molecular theory	58
Topic 9 – Thermal properties	68
Topic 10 – Transfer of thermal energy	82
Topic 11 – General wave properties – Water waves	97
Topic 12.1 – Light waves-reflection	111
Topic 12.3 – Light waves-dispersion/electromagnetic spectrum	120
Topic 12.4 – Light waves	125
Topic 13 – Sound waves	129
Topic 14 – Magnetism	145
Topic 15.1 – Electricity-Static	157
Topic 15.2 – Electricity-Circuits	160
Topic 15.3 – Electricity-Circuit components	176
Topic 15.4 – Electricity-Dangers	189
Topic 16.1 – Electromagnetic effect-Induction	197
Topic 16.2 – Electromagnetic effect-Transformer	202
Topic 16.3 – Electromagnetic effect-Motor effect	208
Topic 17 – Cathode ray oscilloscope	211
Topic 18.1 – Atomic physics	218
Topic 18.2 –Radioactivity	224

**Topic 1 – Measurements**

1.

The diagram shows an enlarged drawing of the end of a metre rule. It is being used to measure the length of a small feather.

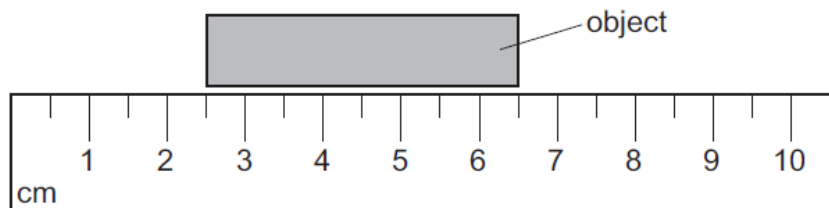


What is the length of the feather?

- A** 19 mm
- B** 29 mm
- C** 19 cm
- D** 29 cm

2.

A ruler is used to measure the length of an object.



What is the length of the object?

- A** 3.0 cm
- B** 4.0 cm
- C** 5.0 cm
- D** 6.5 cm

3.

A student uses a stopwatch to time a runner running around a circular track. The runner runs two laps (twice around the track). The diagrams show the reading on the stopwatch when the runner starts running, at the end of the first lap, and at the end of the second lap.



reading when runner starts



reading at end of first lap



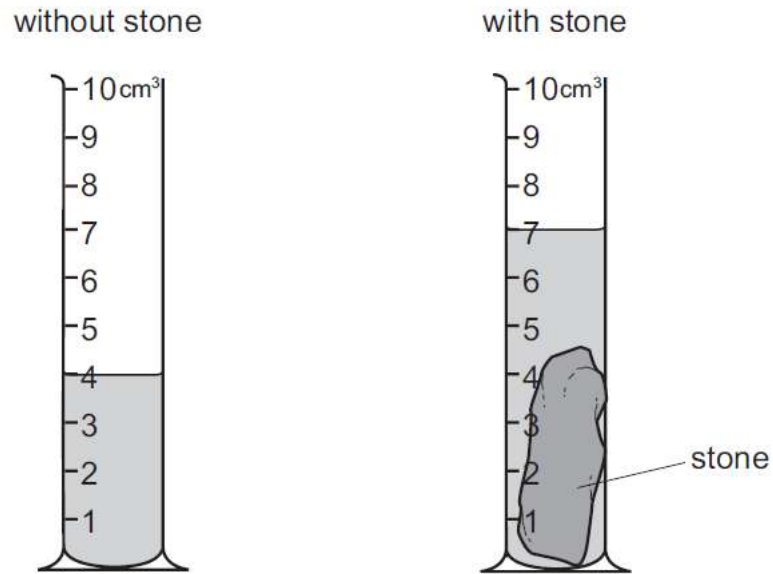
reading at end of second lap

What is the time taken for the runner to run the second lap?

- A** 0 min 50 s
- B** 1 min 10 s
- C** 1 min 13 s
- D** 2 min 03 s

4.

The diagrams show an experiment to determine the volume of a stone.

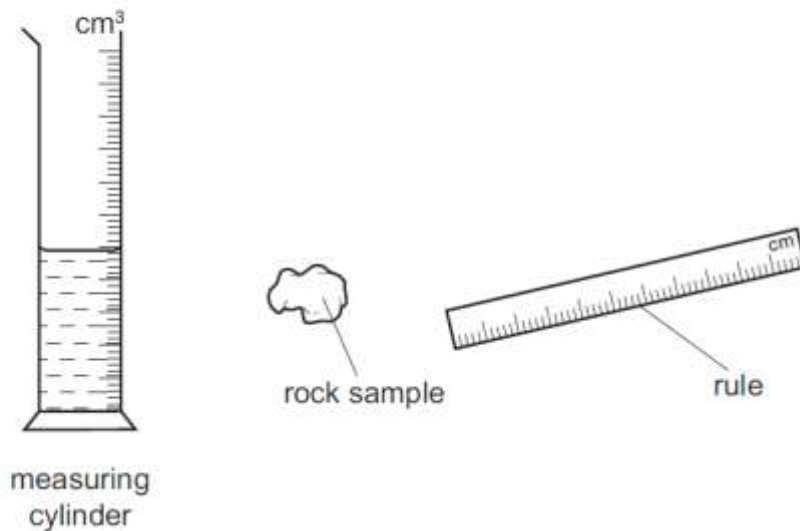


What is the volume of the stone?

- A** 3 cm<sup>3</sup>      **B** 4 cm<sup>3</sup>      **C** 7 cm<sup>3</sup>      **D** 11 cm<sup>3</sup>

5.

A scientist needs to determine the volume of a small, irregularly shaped rock sample. Only a rule and a measuring cylinder, partially filled with water, are available.



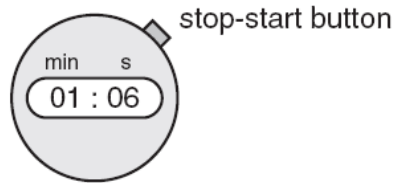
To determine the volume, which apparatus should the scientist use?

- A** both the measuring cylinder and the rule  
**B** neither the measuring cylinder nor the rule  
**C** the measuring cylinder only  
**D** the rule only

6.

The diagram shows a stopwatch, originally set at 00:00.

When a car was first seen, the stop-start button was pressed. When the car passed the observer, the stopwatch showed 01:06.

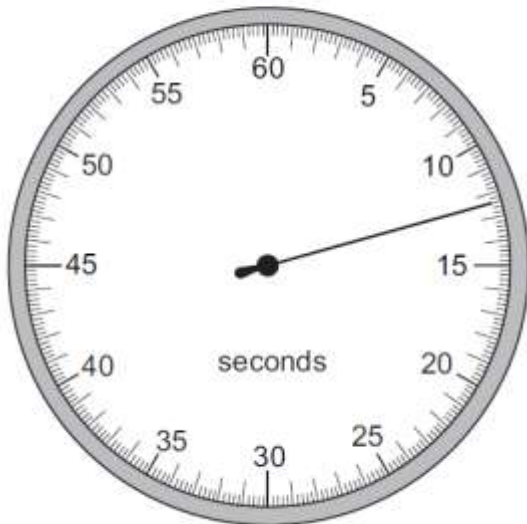


How long did the car take to reach the observer?

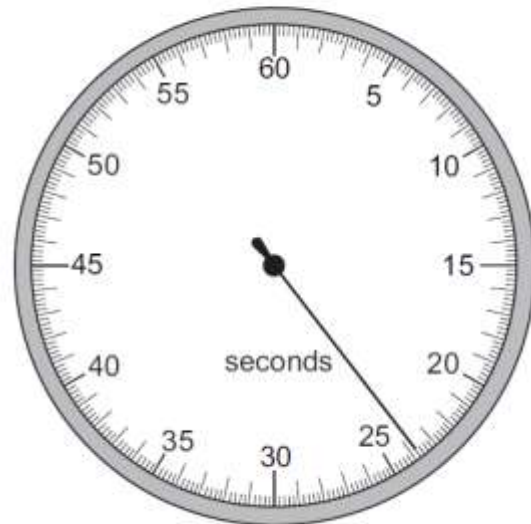
- A 1.06 seconds
- B 6 seconds
- C 66 seconds
- D 106 seconds

7.

A stopwatch is used to time an athlete running 100 m. The timekeeper forgets to reset the watch to zero before using it to time another athlete running 100 m.



stopwatch at end of first athlete's run



stopwatch at end of second athlete's run

How long does the second athlete take to run 100m?

- A 11.2s
- B 11.4s
- C 12.4s
- D 23.8s

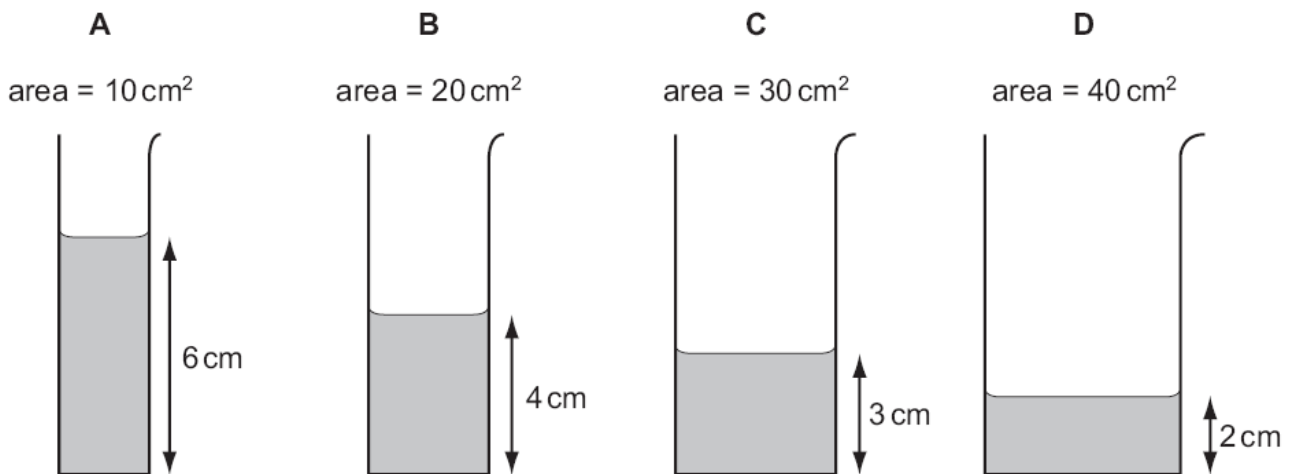
8. A metre rule is used to measure a length.

Which reading is shown to the nearest millimetre?

- A** 0.7 m                      **B** 0.76 m                      **C** 0.761 m                      **D** 0.7614 m

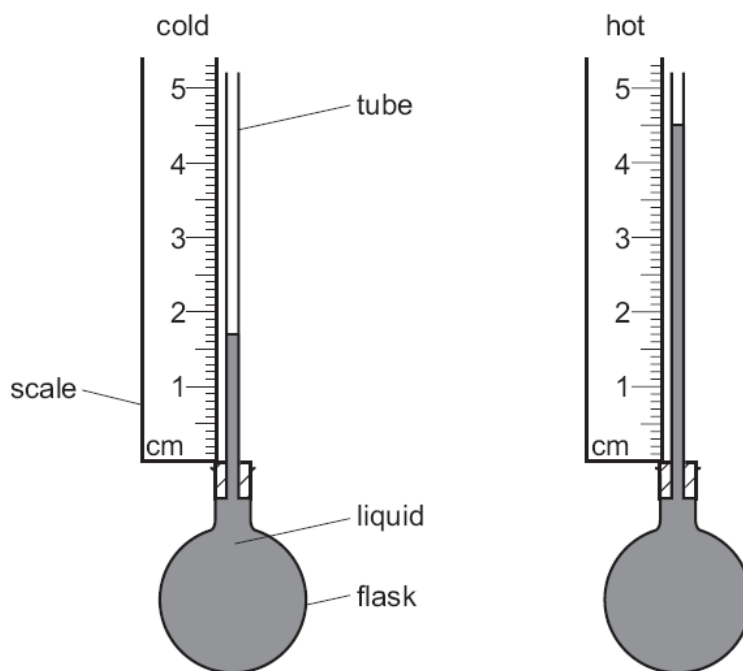
9. Some water is poured into four tubes of different cross-sectional areas.

Which tube contains the largest volume of water?



10. Some liquid is heated in a flask.

The diagrams show the height of the liquid in the tube when the liquid is cold and when it is hot.

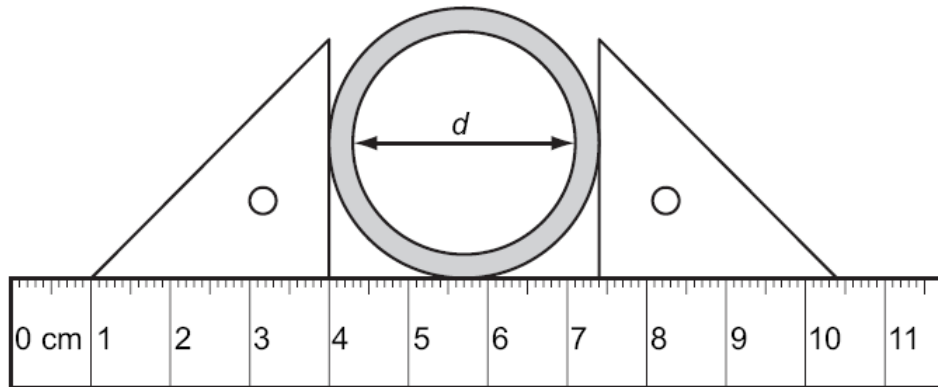


What is the difference in the heights?

- A** 1.7 cm                      **B** 2.8 cm                      **C** 3.2 cm                      **D** 4.5 cm

11.

The diagram shows a thick-walled tube. The thickness of the wall is 3 mm.

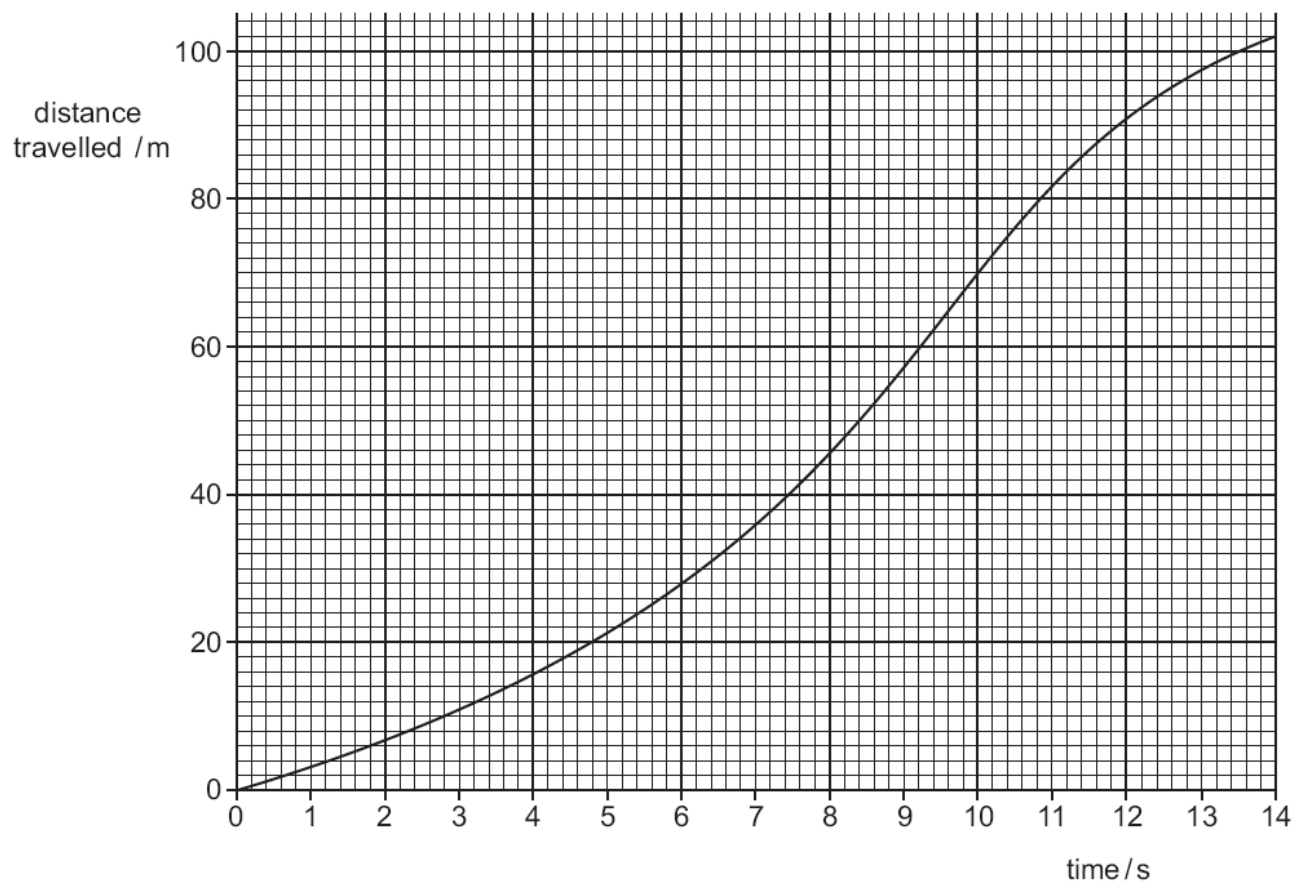


What is the internal diameter  $d$  of the tube?

- A** 2.8 cm      **B** 3.1 cm      **C** 3.4 cm      **D** 7.4 cm

12.

The graph shows the progress of an athlete in a 100m race.

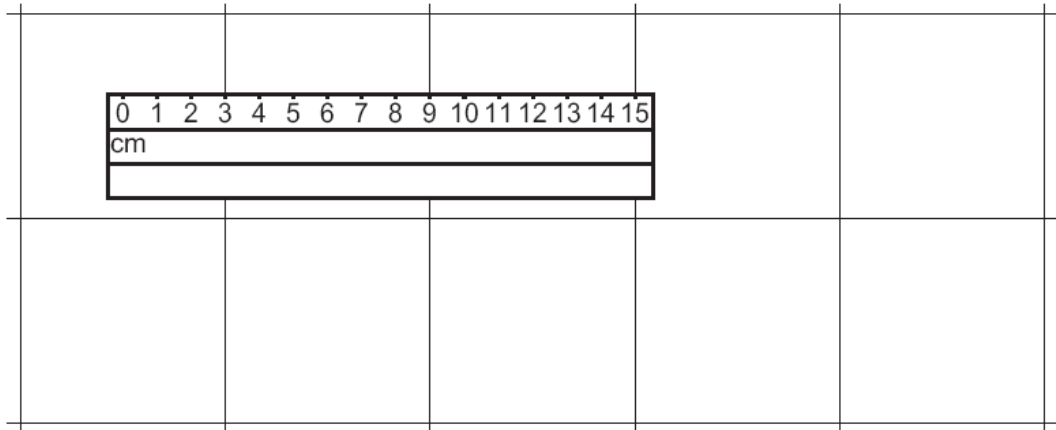


What time was taken to travel 10m from the start?

- A** 2.4s      **B** 2.8s      **C** 65s      **D** 70s

13.

A floor is covered with square tiles. The diagram shows a ruler on the tiles.

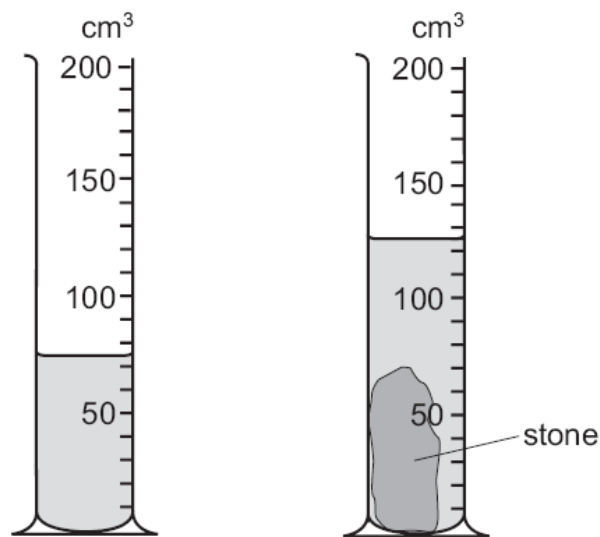


How long is one tile?

- A** 3 cm      **B** 6 cm      **C** 9 cm      **D** 12 cm

14.

A measuring cylinder contains some water. When a stone is put in the water, the level rises.

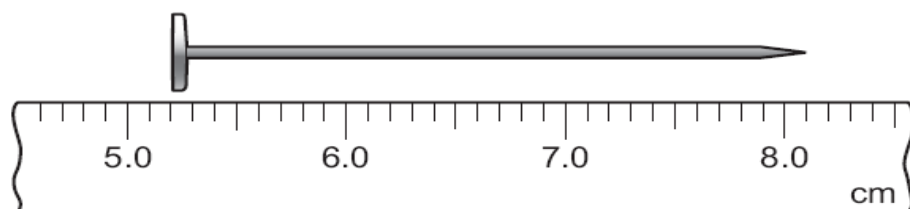


What is the volume of the stone?

- A** 50 cm<sup>3</sup>      **B** 70 cm<sup>3</sup>      **C** 75 cm<sup>3</sup>      **D** 125 cm<sup>3</sup>

15.

A ruler is used to measure the length of a nail.



What is the length of the nail?

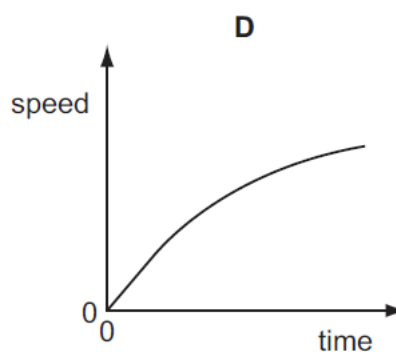
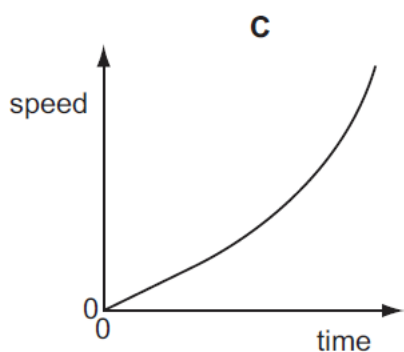
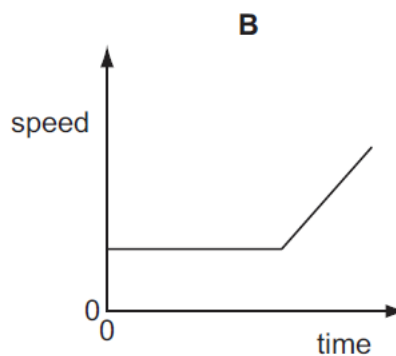
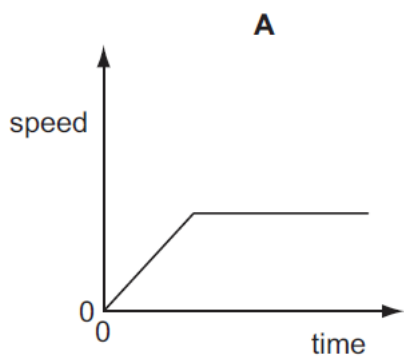
- A** 1.3 cm      **B** 2.9 cm      **C** 5.2 cm      **D** 8.1 cm

### Topic 2 – Speed, velocity and acceleration

1.

An object moves initially with constant speed and then with constant acceleration.

Which graph shows this motion?



2.

A tennis player hits a ball hard and 0.40 s later hears the echo from a wall.



The speed of sound in air is 330 m/s.

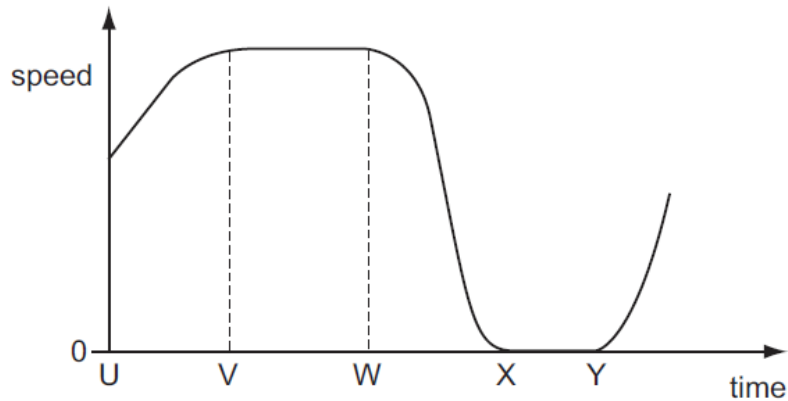
How far away is the player from the wall?

- A** 66 m      **B** 132 m      **C** 264 m      **D** 825 m



3.

The graph shows how the speed of a car changes with time.

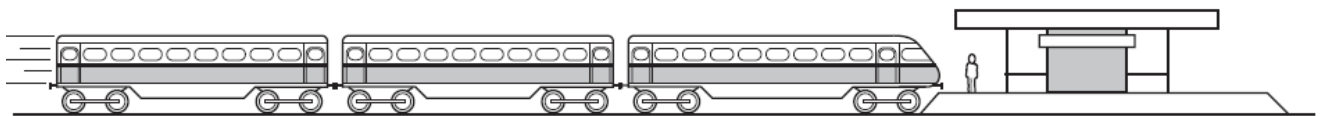


Between which two times is the car stationary?

- A** U and V      **B** V and W      **C** W and X      **D** X and Y

4.

A child is standing on the platform of a station.



A train travelling at 30 m/s takes 3.0 s to pass the child.

What is the length of the train?

- A** 10 m      **B** 27 m      **C** 30 m      **D** 90 m

5.

Four athletes run twice around a track. The table shows their times at the end of each lap.

Which athlete runs the second lap the fastest?

athlete	time at end of first lap/s	time at end of second lap/s
<b>A</b>	22.99	47.04
<b>B</b>	23.04	47.00
<b>C</b>	23.16	47.18
<b>D</b>	23.39	47.24

6.

A car travels 100 km. The highest speed of the car is 90 km/h, and the lowest speed is 30 km/h. The journey takes two hours.

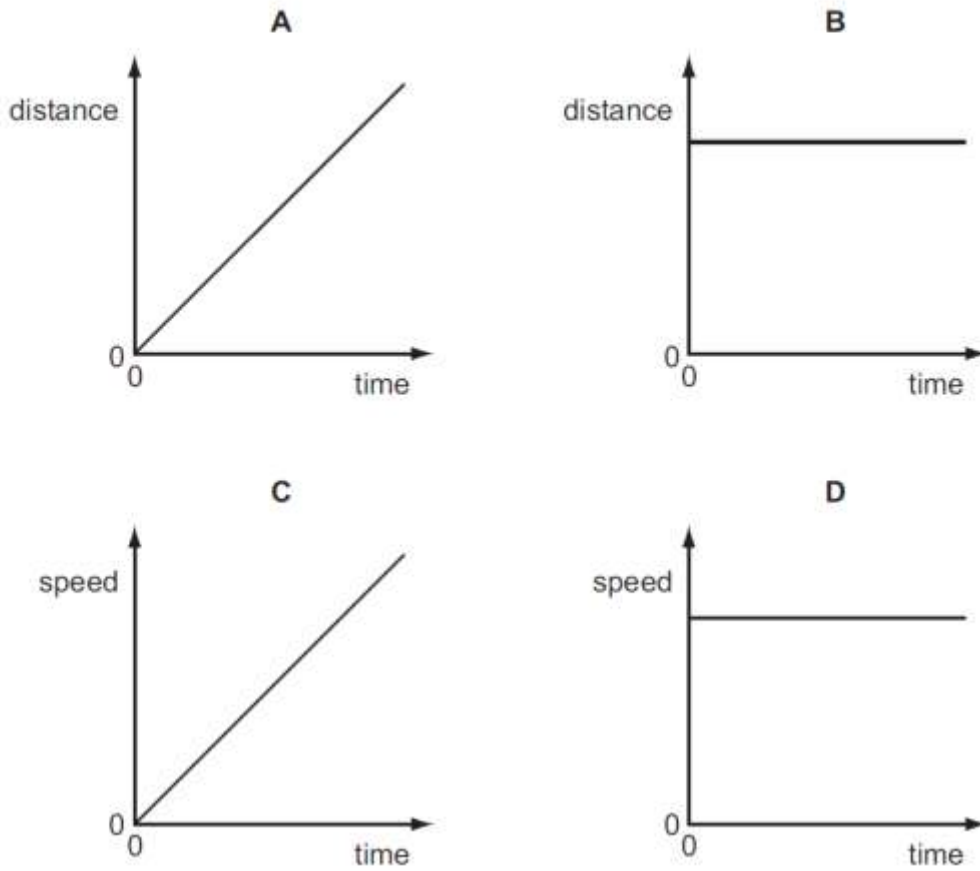
What is the average speed for the journey?

- A** 30 km/h      **B** 50 km/h      **C** 60 km/h      **D** 90 km/h

7.

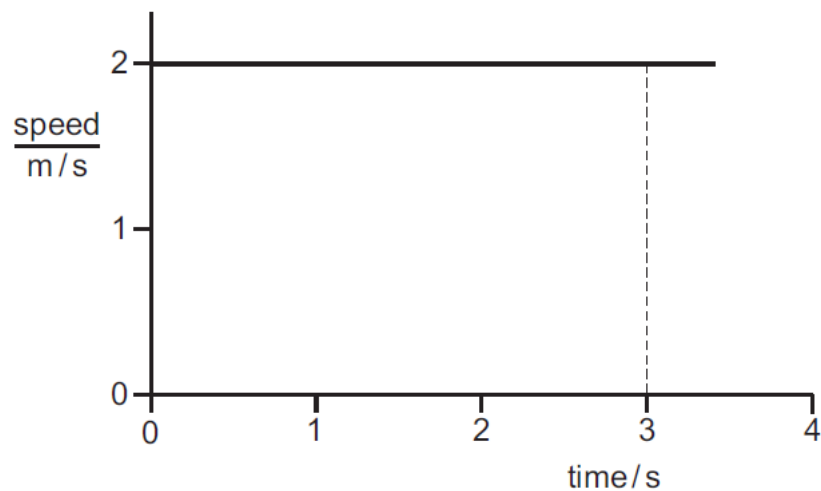
Two distance / time graphs and two speed / time graphs are shown.

Which graph represents an object that is at rest?



8.

The diagram shows the speed / time graph for an object moving at constant speed.

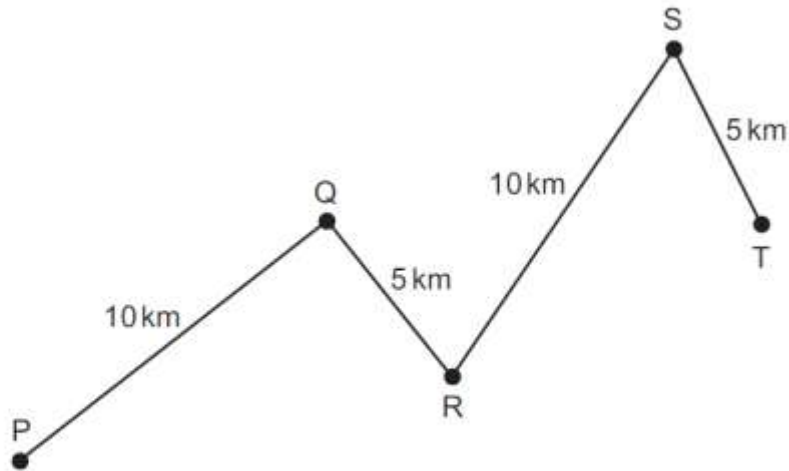


What is the distance travelled by the object in the first 3 s?

- A** 1.5 m      **B** 2.0 m      **C** 3.0 m      **D** 6.0 m

9.

A car travels along the route PQRST in 30 minutes.



What is the average speed of the car?

- A 10 km/hour    B 20 km/hour    C 30 km/hour    D 60 km/hour

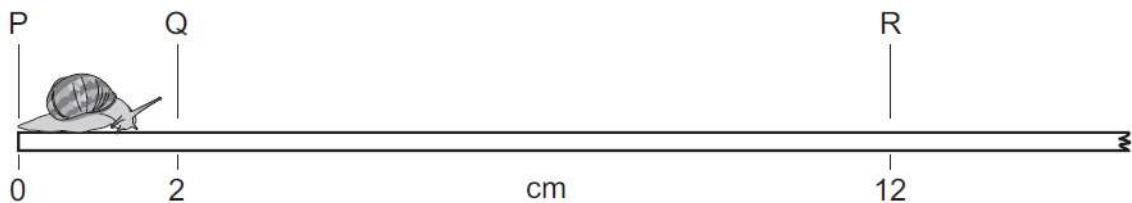
10.

In which of these situations is no resultant force needed?

- A a car changing direction  
 B a car moving in a straight line at a steady speed  
 C a car slowing down  
 D a car speeding up

11.

A snail moves along a ruler. It takes 20s to move from Q to R.

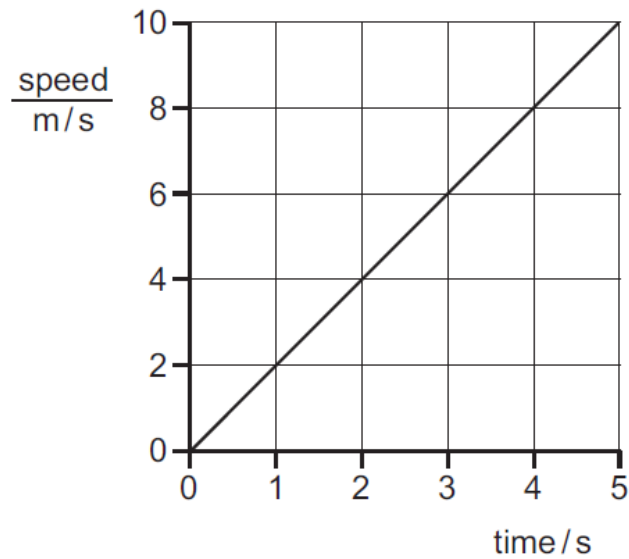


What is its average speed from Q to R?

- A  $\frac{12}{20}$  cm/s  
 B  $\frac{12-2}{20}$  cm/s  
 C  $\frac{20}{12}$  cm/s  
 D  $\frac{20}{12-2}$  cm/s

12.

The graph represents the movement of a body.



How far has the body moved after 5 s?

- A** 2 m                      **B** 10 m                      **C** 25 m                      **D** 50 m

13.

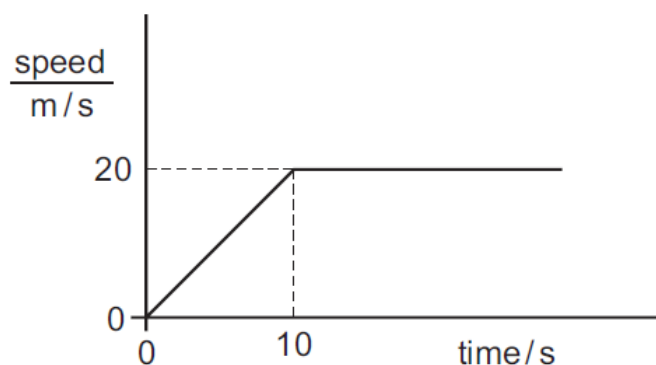
A ball is thrown upwards.

What effect does the force of gravity have on the ball?

- A** It produces a constant acceleration downwards.  
**B** It produces a constant acceleration upwards.  
**C** It produces a decreasing acceleration upwards.  
**D** It produces an increasing acceleration downwards.

14.

A car accelerates from traffic lights. The graph shows the car's speed plotted against time.

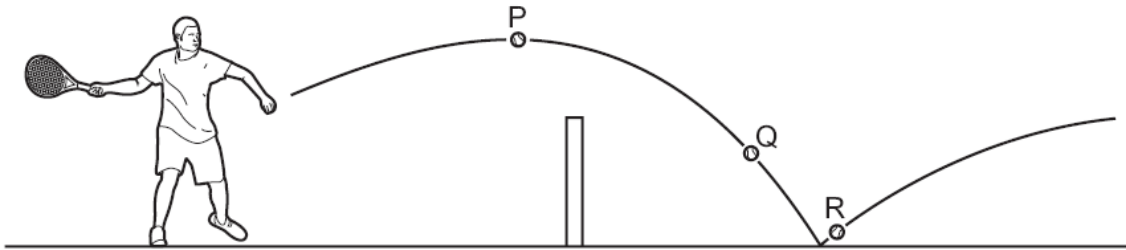


How far does the car travel before it reaches a constant speed?

- A** 10 m                      **B** 20 m                      **C** 100 m                      **D** 200 m

15.

A tennis player hits a ball over the net.



In which position is the ball accelerating?

- A P and Q only
- B P and R only
- C Q and R only
- D P, Q and R

16.

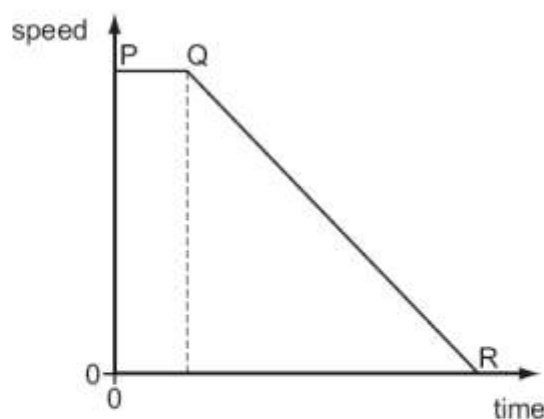
Four students try to explain what is meant by acceleration.

Which student makes a correct statement?

- A It is related to the changing speed of an object.
- B It is the distance an object travels in one second.
- C It is the force acting on an object divided by the distance it travels in one second.
- D It is the force acting on an object when it is near to the Earth.

17.

A cyclist is riding along a road when an animal runs in front of him. The graph shows the cyclist's motion. He sees the animal at P, starts to brake at Q and stops at R.



What is used to find the distance travelled after he applies the brakes?

- A the area under line PQ
- B the area under line QR
- C the gradient of line PQ
- D the gradient of line QR

18.

A car travels at various speeds during a short journey.

The table shows the distances travelled and the time taken during each of four stages P, Q, R and S.

stage	P	Q	R	S
distance travelled / km	1.8	3.6	2.7	2.7
time taken / minutes	2	2	4	3

During which two stages is the car travelling at the same speed?

- A** P and Q      **B** P and S      **C** Q and R      **D** R and S

19.

The circuit of a motor racing track is 3 km in length. In a race, a car goes 25 times round the circuit in 30 minutes.

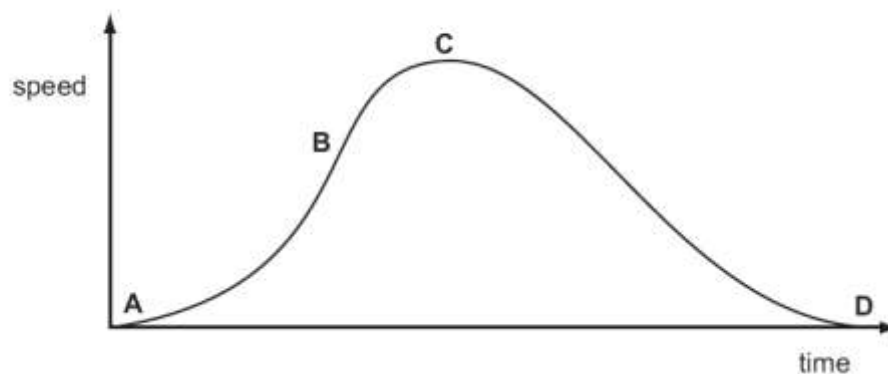
What is the average speed of the car?

- A** 75 km/hour  
**B** 90 km/hour  
**C** 150 km/hour  
**D** 750 km/hour

20.

The speed-time graph shown is for a bus travelling between stops.

Where on the graph is the acceleration of the bus the greatest?



21.

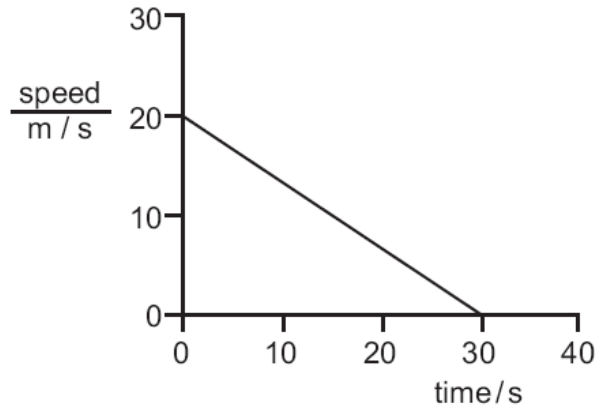
A tunnel has a length of 50 km. A car takes 20 min to travel between the two ends of the tunnel.

What is the average speed of the car?

- A** 2.5 km/h  
**B** 16.6 km/h  
**C** 150 km/h  
**D** 1000 km/h

22.

The graph represents part of the journey of a car.

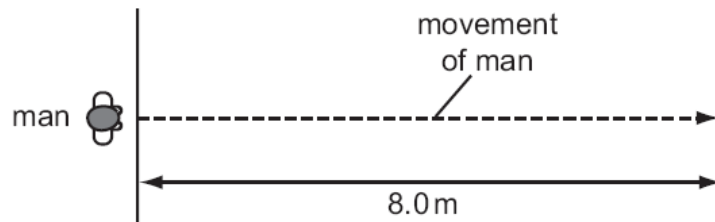


What distance does the car travel during this part of the journey?

- A** 150m      **B** 300m      **C** 600m      **D** 1200m

23.

A man crosses a road 8.0m wide at a speed of 2.0m/s.

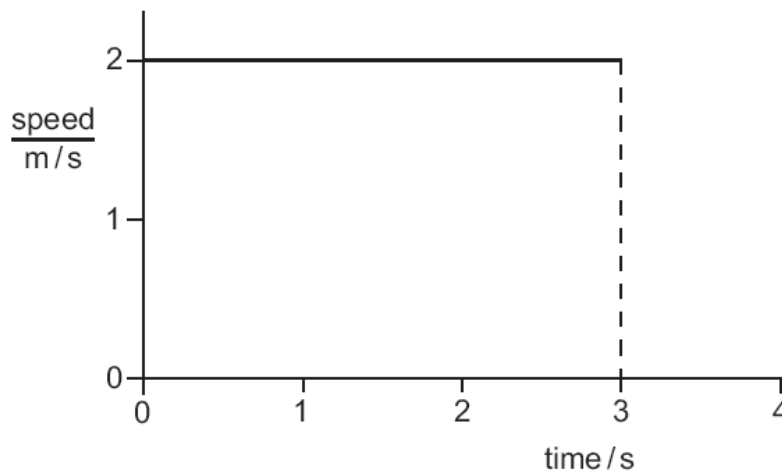


How long does the man take to cross the road?

- A** 4.0s      **B** 6.0s      **C** 10s      **D** 16s

24.

The diagram shows the speed-time graph for an object moving at constant speed.

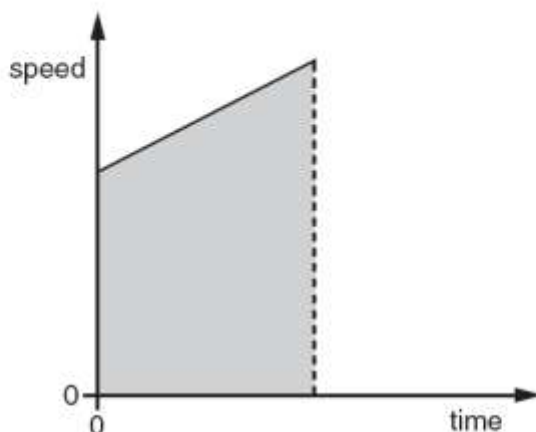


What is the distance travelled by the object in the first 3s?

- A** 1.5m      **B** 2.0m      **C** 3.0m      **D** 6.0m

25.

The diagram shows a speed-time graph for a body moving with constant acceleration.



What is represented by the shaded area under the graph?

- A acceleration
- B distance
- C speed
- D time

26.

A racing car is fitted with an on-board computer. Every time the car passes the starting line, the computer records the distance travelled in the next 2 seconds.

Which set of data shows that the car is increasing in speed during the 2 seconds?

**A**

time/s	distance travelled/m
0	0
1	100
2	200

**B**

time/s	distance travelled/m
0	0
1	90
2	180

**C**

time/s	distance travelled/m
0	0
1	80
2	190

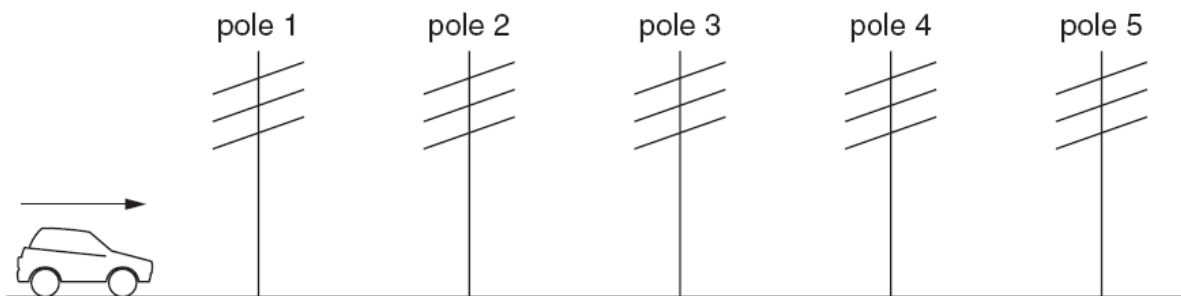
**D**

time/s	distance travelled/m
0	0
1	100
2	180



27.

Five telegraph poles are positioned at equal distances along the side of a road.



A car accelerates until it is level with pole 4. The car then continues along the road at a steady speed. The times taken to travel between one pole and the next are measured.

Which time is the greatest?

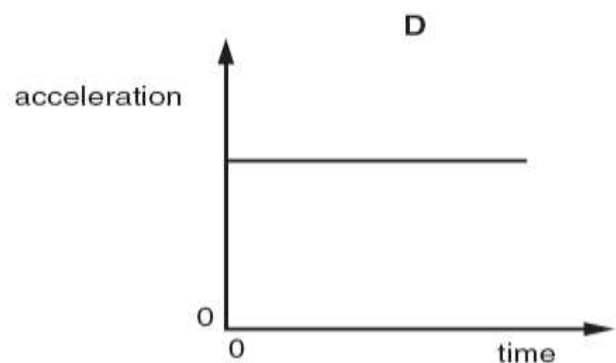
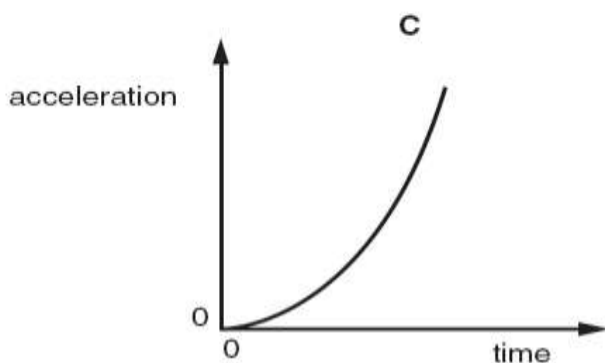
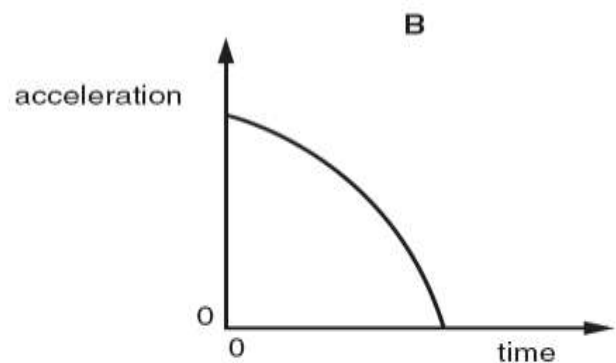
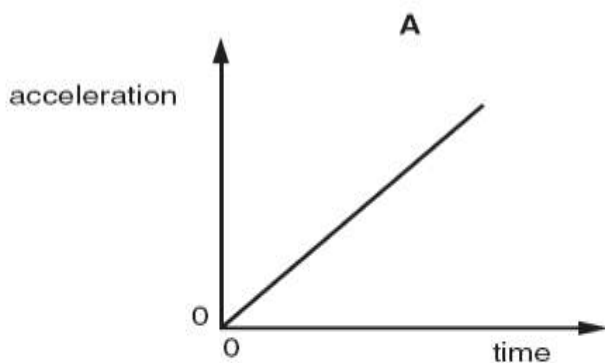
The time between

- A pole 1 and pole 2.
- B pole 2 and pole 3.
- C pole 3 and pole 4.
- D pole 4 and pole 5.

28.

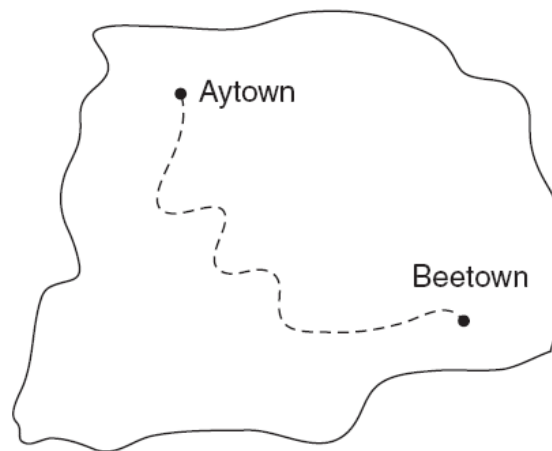
A stone falls freely from the top of a cliff into the sea. Air resistance may be ignored.

Which graph shows how the acceleration of the stone varies with time as it falls?



29.

A train travels along a track from Aytown to Beetown. The map shows the route.



The distance travelled by the train between the towns is 210 km. It moves at an average speed of 70 km/h.

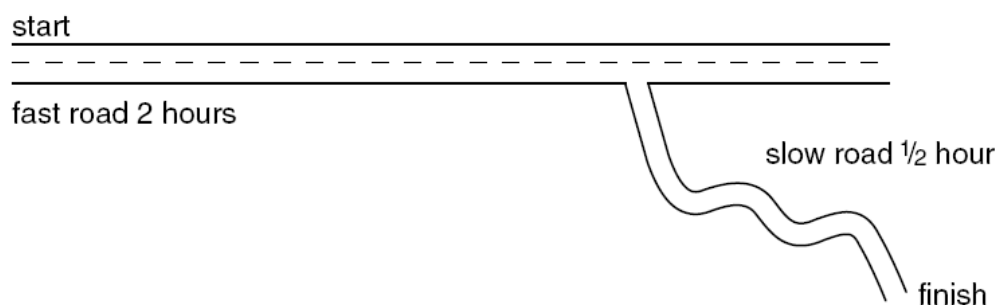
How long does the journey take?

- A less than  $\frac{70}{210}$  hours, because the journey is not in a straight line
- B exactly  $\frac{70}{210}$  hours
- C exactly  $\frac{210}{70}$  hours
- D more than  $\frac{210}{70}$  hours, because the journey is not in a straight line

30.

A motorist travels 200 km.

After travelling along a fast road for 2 hours, the motorist uses a slow road for the remaining  $\frac{1}{2}$  hour of the journey.



What is the average speed of the car?

- A 80 km/h
- B 100 km/h
- C 400 km/h
- D 500 km/h

### Topic 3 – Mass and weight

1.

Which statement about mass and weight is correct?

- A Mass and weight are both forces.
- B Neither mass nor weight is a force.
- C Only mass is a force.
- D Only weight is a force.

2.

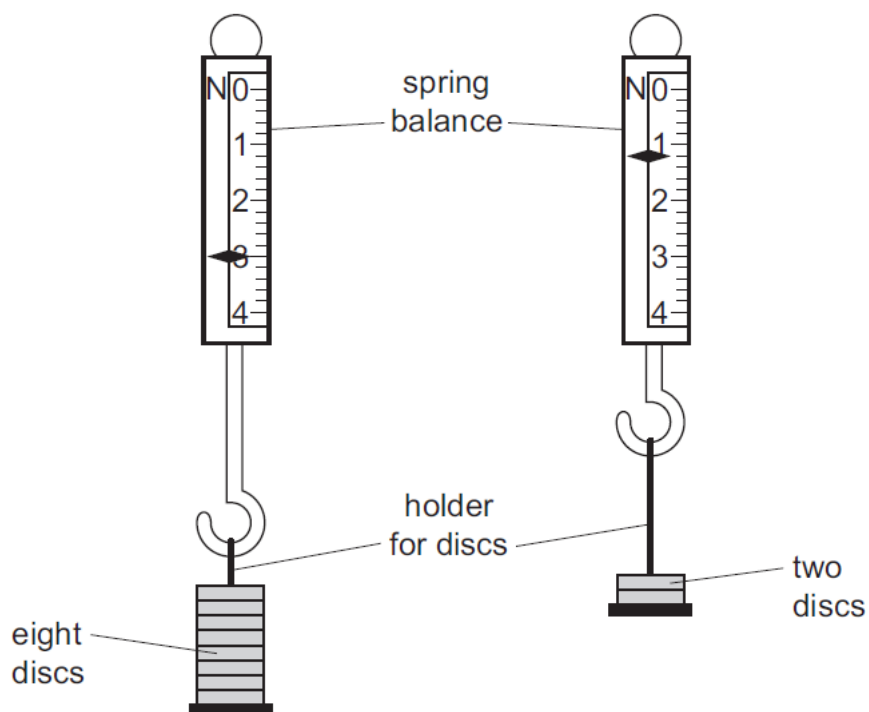
Which list contains the name of a force?

- A acceleration, charge, temperature
- B density, resistance, speed
- C distance, frequency, mass
- D energy, power, weight

3.

The reading on a spring balance with a holder and eight identical discs is 3.0 N.

Six discs are removed and the reading becomes 1.2 N.

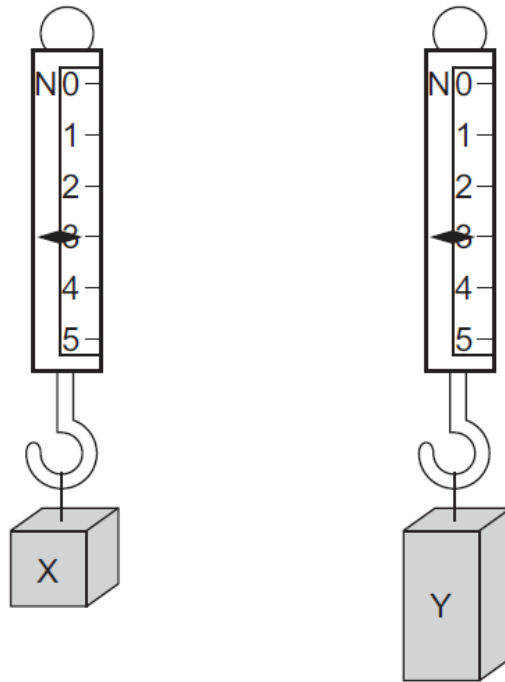


What is the weight of one disc?

- A 0.2 N
- B 0.3 N
- C 0.5 N
- D 0.6 N

4.

Two blocks of metal X and Y hang from spring balances as shown in the diagram.



What does the diagram show about X and Y?

- A They have the same mass and the same volume but different weights.
- B They have the same mass and the same weight but different volumes.
- C They have the same mass, the same volume and the same weight.
- D They have the same weight and the same volume but different masses.

5.

A cup contains hot liquid.

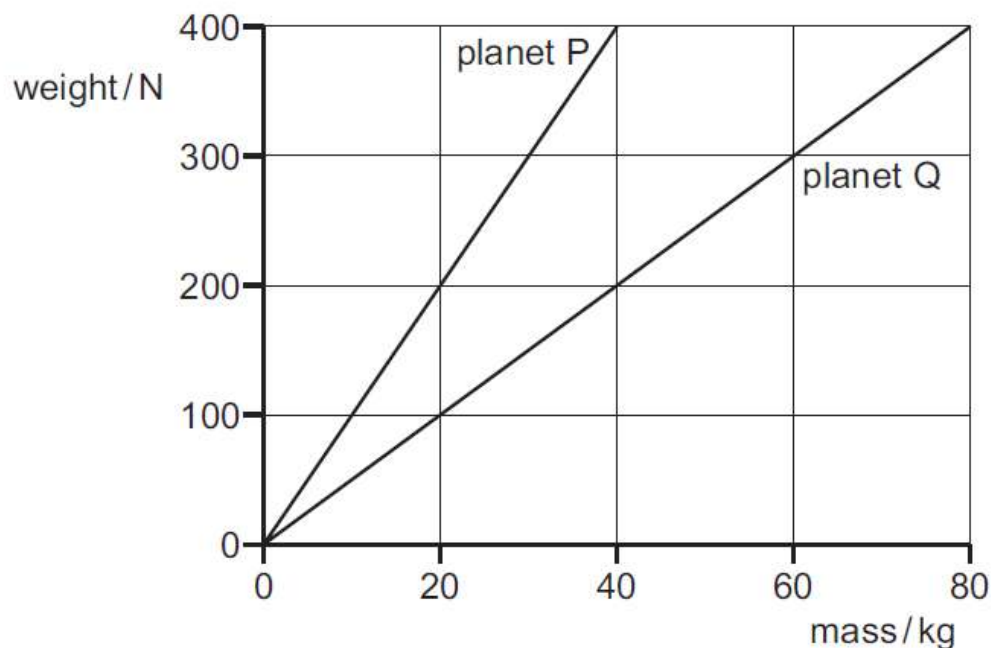
Some of the liquid evaporates as it cools.

What happens to the mass and to the weight of the liquid in the cup as it cools?

	mass	weight
<b>A</b>	decreases	decreases
<b>B</b>	decreases	stays the same
<b>C</b>	stays the same	decreases
<b>D</b>	stays the same	stays the same

6.

The graph shows how weight varies with mass on planet P and on planet Q.



An object weighs 400 N on planet P. The object is taken to planet Q.

Which row is correct?

	mass of object on planet Q / kg	weight of object on planet Q / N
<b>A</b>	40	200
<b>B</b>	40	400
<b>C</b>	80	200
<b>D</b>	80	400

7.

The mass of a full bottle of cooking oil is 1.30 kg.

When exactly half of the oil has been used, the mass of the bottle plus the remaining oil is 0.90 kg.

What is the mass of the bottle?

- A** 0.40 kg      **B** 0.50 kg      **C** 0.65 kg      **D** 0.80 kg

8.

Which statement is correct?

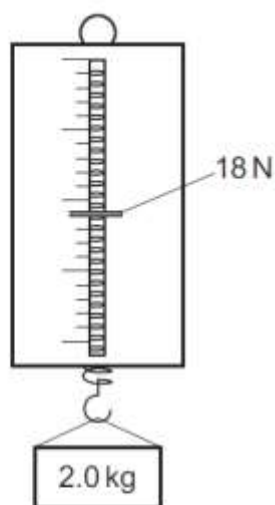
- A Mass is a force, measured in kilograms.
- B Mass is a force, measured in newtons.
- C Weight is a force, measured in kilograms.
- D Weight is a force, measured in newtons.

9.

The table shows the weight in newtons of a 10 kg mass on each of four planets.

planet	weight of a 10 kg mass / N
Earth	100
Jupiter	250
Mercury	40
Venus	90

The diagram shows a force meter (spring balance) being used.



On which planet is the force meter (spring balance) being used?

- A Earth
- B Jupiter
- C Mercury
- D Venus

10.

The mass of an astronaut is 70 kg on the Moon.

What is the astronaut's mass on Earth?

- A 7 kg
- B 70 kg
- C 80 kg
- D 700 kg

11.

Which property of a body can be measured in newtons?

- A density
- B mass
- C volume
- D weight

12.

Which statement about the masses and weights of objects on the Earth is correct?

- A A balance can only be used to compare weights, not masses.
- B Heavy objects always have more mass than light ones.
- C Large objects always have more mass than small ones.
- D Mass is a force but weight is not.

13.

The table shows the weight of a 10 kg mass on each of five planets.

planet	weight of a 10 kg mass / N
Mercury	40
Venus	90
Earth	100
Mars	40
Jupiter	250

On which planets would an astronaut have a smaller weight than on Earth?

- A Mercury, Mars and Jupiter
- B Mercury, Venus and Mars
- C Mercury, Venus and Jupiter
- D Venus, Mars and Jupiter

14.

Which statement is correct?

- A The mass of a bottle of water at the North Pole is different from its mass at the Equator.
- B The mass of a bottle of water is measured in newtons.
- C The weight of a bottle of water and its mass are the same thing.
- D The weight of a bottle of water is one of the forces acting on it.

15.

What is the meaning of the *weight* of an object?

- A the density of the material from which it is made
- B the force exerted on it by gravity
- C the mass of the matter it contains
- D the pressure it exerts on the floor

16.

The force of gravity acting on an astronaut in an orbiting spacecraft is less than when she is on the Earth's surface.

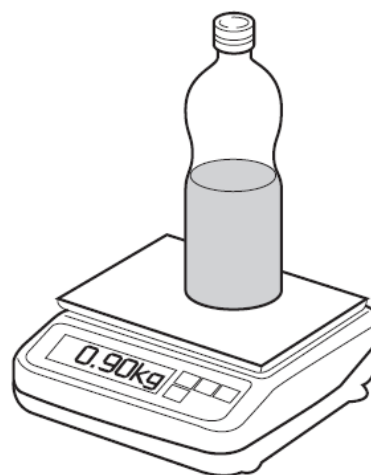
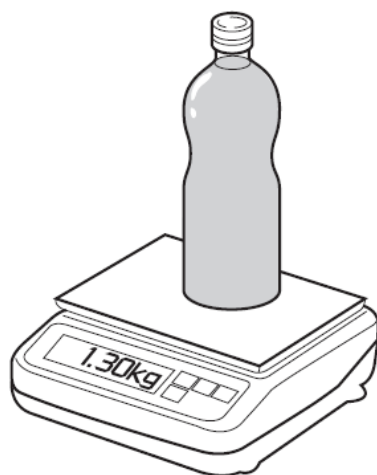
Compared with being on the Earth's surface, how do her mass and weight change when she goes into orbit?

	mass in orbit	weight in orbit
<b>A</b>	decreases	decreases
<b>B</b>	decreases	unchanged
<b>C</b>	unchanged	decreases
<b>D</b>	unchanged	unchanged

17.

The mass of a full bottle of cooking oil is 1.30 kg.

When exactly half of the oil has been used, the mass of the bottle plus the remaining oil is 0.90 kg.



What is the mass of the empty bottle?

- A 0.40 kg
- B 0.50 kg
- C 0.65 kg
- D 0.80 kg



18.

A newton is a unit of force.

Which quantity is measured in newtons?

- A acceleration
- B density
- C mass
- D weight

19.

What is the gravitational force that the Earth exerts on an object?

- A the density of the object
- B the mass of the object
- C the volume of the object
- D the weight of the object

20.

What are the correct units for force and for weight?

	force	weight
A	kg	kg
B	kg	N
C	N	kg
D	N	N

21.

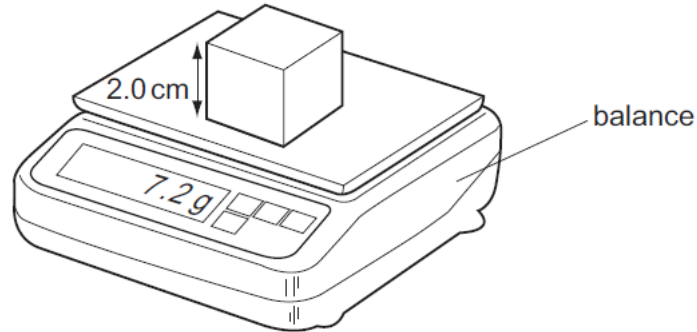
Which statement about the mass of a falling object is correct?

- A It decreases as the object falls.
- B It is equal to the weight of the object.
- C It is measured in newtons.
- D It stays the same as the object falls.

**Topic 4 –Density**

1.

A cube of side 2.0 cm is placed on a balance.



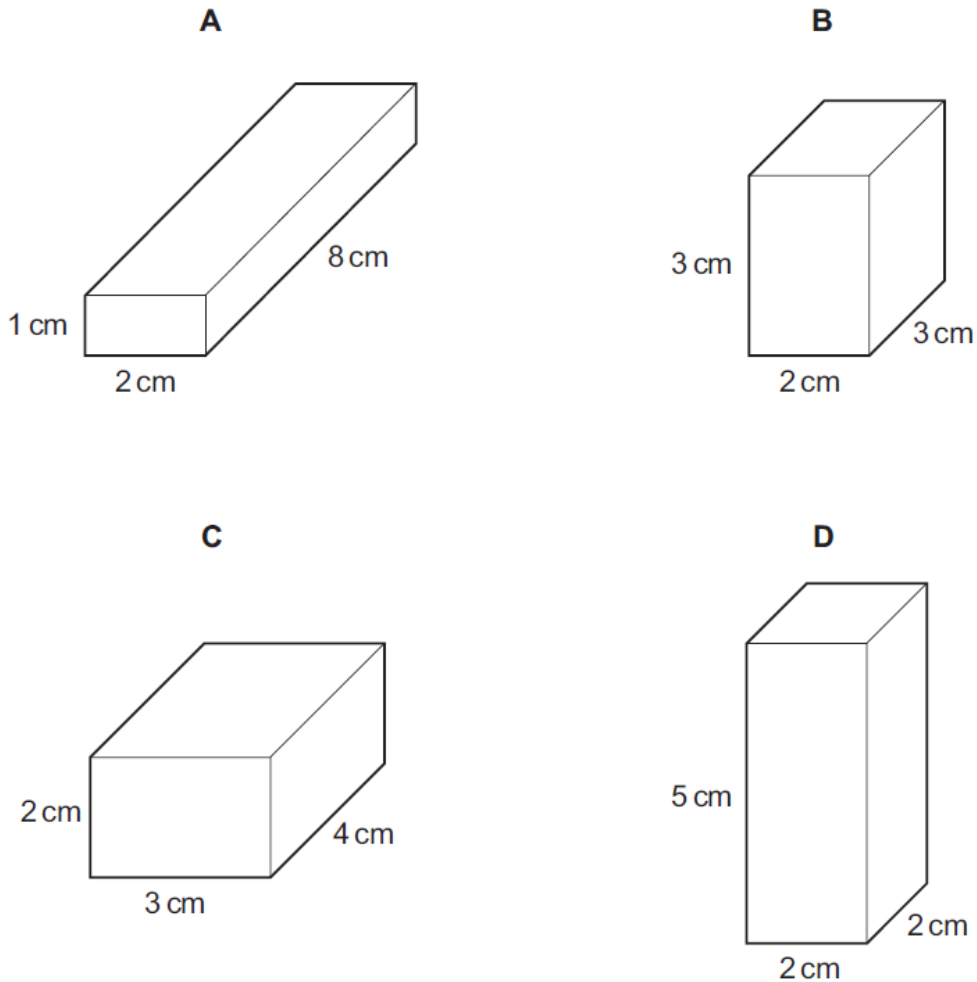
What is the density of the cube?

- A** 0.90 g/cm<sup>3</sup>    **B** 1.2 g/cm<sup>3</sup>    **C** 1.8 g/cm<sup>3</sup>    **D** 3.6 g/cm<sup>3</sup>

2.

The diagrams show four blocks with the same mass.

Which block is made from the least dense material?



3.

A student is told to measure the density of a liquid and also of a large cube of metal.

Which pieces of equipment are sufficient to be able to take the measurements needed?

- A balance, measuring cylinder and ruler
- B balance and thermometer
- C measuring cylinder and ruler
- D measuring cylinder, ruler and thermometer

4.

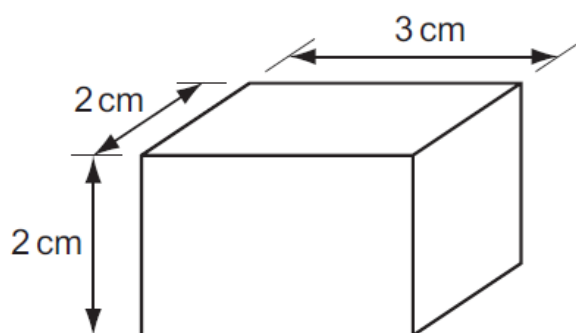
A student is trying to find the density of water and of a large, regularly shaped concrete block.

Which apparatus is needed to find the density of **both** the water and the concrete block?

- A balance, clock, measuring cylinder
- B balance, clock, ruler
- C balance, measuring cylinder, ruler
- D clock, measuring cylinder, ruler

5.

The diagram shows a rectangular block of density  $2\text{ g/cm}^3$ .



What is the mass of the block?

- A 2g
- B 6g
- C 14g
- D 24g

6.

A student needs to find the density of a cubic block of wood.

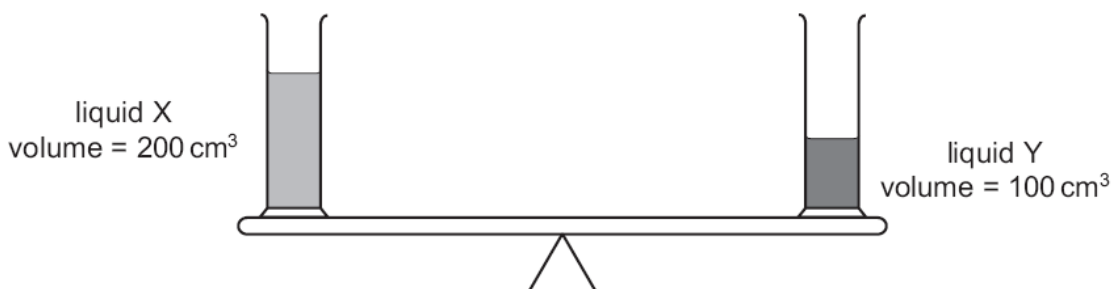
Which two pieces of apparatus should she use?

- A balance and metre rule
- B balance and thermometer
- C measuring cylinder and metre rule
- D measuring cylinder and thermometer

7.

Two identical measuring cylinders containing different liquids are placed on a simple balance.

They balance as shown.

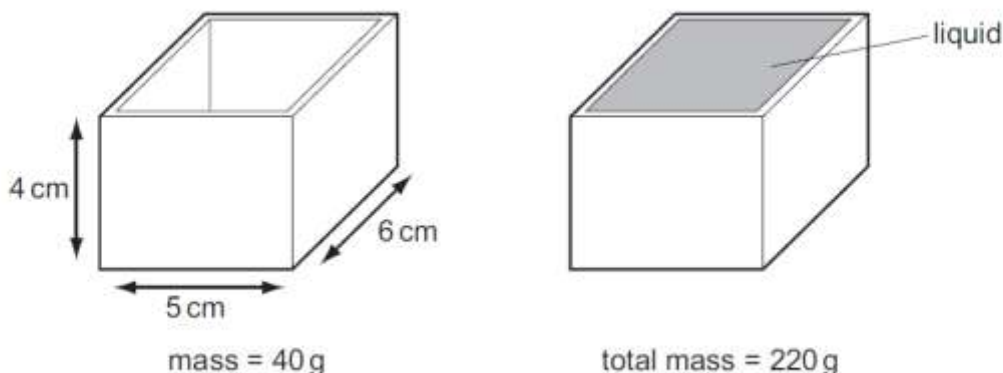


How does the density of X compare with the density of Y?

- A density of X =  $\frac{1}{2}$  × density of Y
- B density of X = density of Y
- C density of X = 2 × density of Y

8.

The diagrams show a rectangular box with inside measurements of 5 cm × 6 cm × 4 cm.



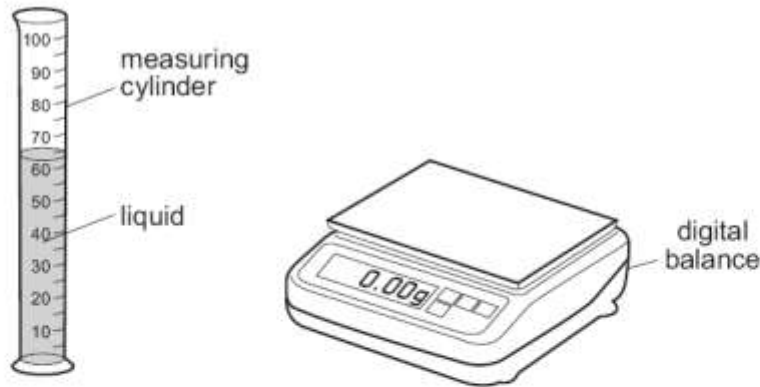
The box has a mass of 40 g when empty. When filled with a liquid, it has a total mass of 220 g.

What is the density of the liquid?

- A  $\frac{220}{(5 \times 6 \times 4)} \text{ g/cm}^3$
- B  $\frac{(220 - 40)}{(5 \times 6 \times 4)} \text{ g/cm}^3$
- C  $\frac{(5 \times 6 \times 4)}{220} \text{ g/cm}^3$
- D  $\frac{(5 \times 6 \times 4)}{(220 - 40)} \text{ g/cm}^3$

9.

A student pours liquid into a measuring cylinder.



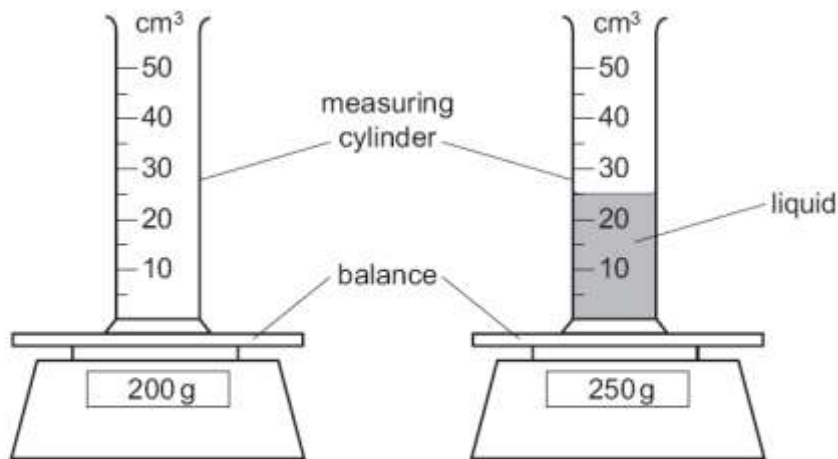
The student records the volume of the liquid from the scale on the measuring cylinder. He then puts the measuring cylinder containing the liquid on a balance and records the mass.

What else needs to be measured before the density of the liquid can be calculated?

- A the depth of the liquid in the measuring cylinder
- B the mass of the empty measuring cylinder
- C the temperature of the liquid in the measuring cylinder
- D the volume of the empty measuring cylinder

10.

The diagram shows an experiment to find the density of a liquid.



What is the density of the liquid?

- A 0.5g/cm<sup>3</sup>
- B 2.0g/cm<sup>3</sup>
- C 8.0g/cm<sup>3</sup>
- D 10.0g/cm<sup>3</sup>

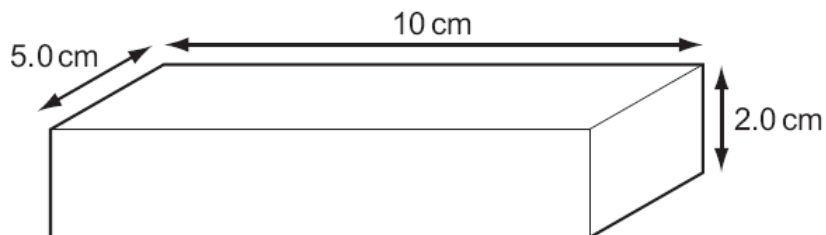
11.

Which of the following is a unit of density?

- A cm<sup>3</sup>/g
- B g/cm<sup>2</sup>
- C g/cm<sup>3</sup>
- D kg/m<sup>2</sup>

12.

The diagram shows a rectangular metal block measuring 10 cm × 5.0 cm × 2.0 cm.



Its mass is 250 g.

What is the density of the metal?

- A** 0.20 g/cm<sup>3</sup>    **B** 0.40 g/cm<sup>3</sup>    **C** 2.5 g/cm<sup>3</sup>    **D** 5.0 g/cm<sup>3</sup>

13.

A person measures the length, width, height and mass of a rectangular metal block.

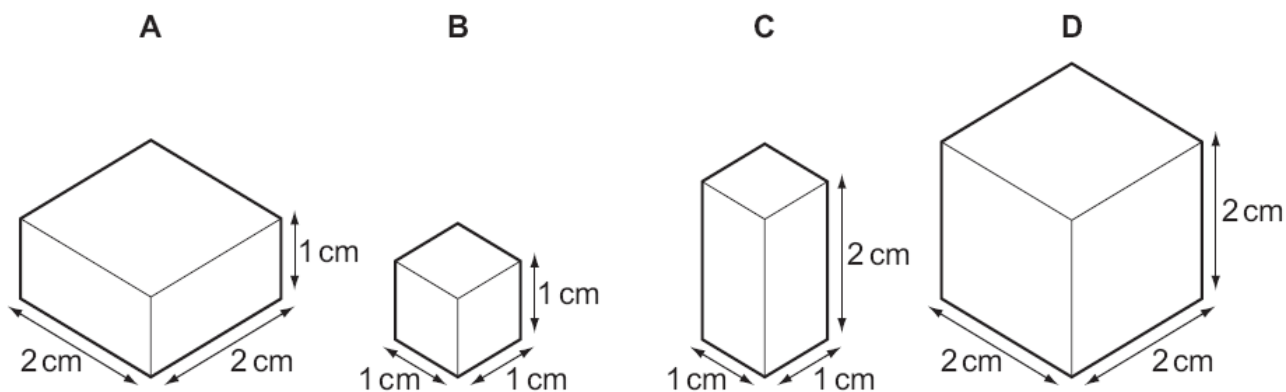
Which of these measurements are needed in order to calculate the density of the metal?

- A** mass only  
**B** height and mass only  
**C** length, width and height only  
**D** length, width, height and mass

14.

Each of the solids shown in the diagram has the same mass.

Which solid has the greatest density?



15.

An object has a mass of 75 g and a volume of 15 cm<sup>3</sup>.

What is its density?

- A** 0.2 g/cm<sup>3</sup>    **B** 5 g/cm<sup>3</sup>    **C** 60 g/cm<sup>3</sup>    **D** 90 g/cm<sup>3</sup>

16.

A metal drum has a mass of 200 kg when empty and 1000 kg when filled with 1.0 m<sup>3</sup> of methylated spirit.

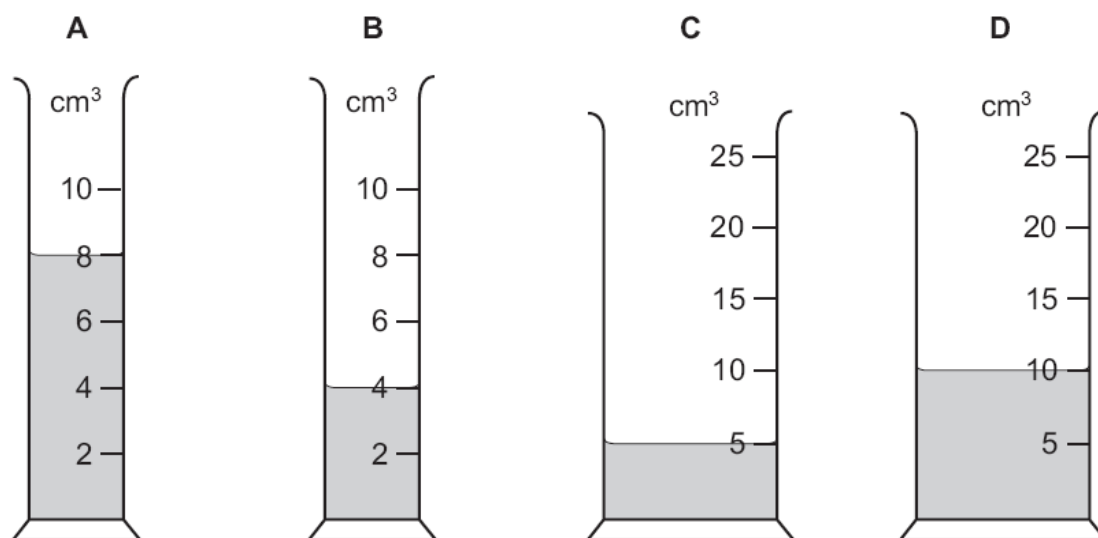
What is the density of methylated spirit?

- A 0.0050 kg/m<sup>3</sup>
- B 0.11 kg/m<sup>3</sup>
- C 800 kg/m<sup>3</sup>
- D 1000 kg/m<sup>3</sup>

17.

The same mass of four different liquids is placed in some measuring cylinders.

Which measuring cylinder contains the liquid with the greatest density?



18.

A student tries to find the density of a metal block. First he measures the weight with a forcemeter (spring balance). Next he measures the sides of the block using a rule, in order to calculate the volume of the block. Finally he divides the weight by the volume to find the density.

The student has made a mistake.

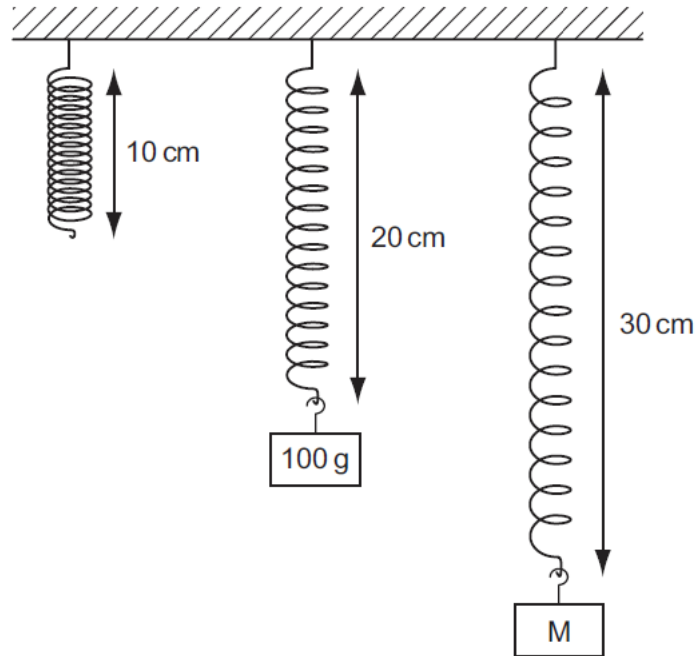
Why does his method **not** give the density?

- A Density is volume divided by weight.
- B He should have measured the surface area, not the volume.
- C He should have used the mass in his calculation, not the weight.
- D Weight is not measured with a forcemeter (spring balance).

**Topic 5.1 – Force and moment-Effect of force**

1.

Objects with different masses are hung on a spring. The diagram shows how much the spring stretches.



The extension of the spring is directly proportional to the mass hung on it.

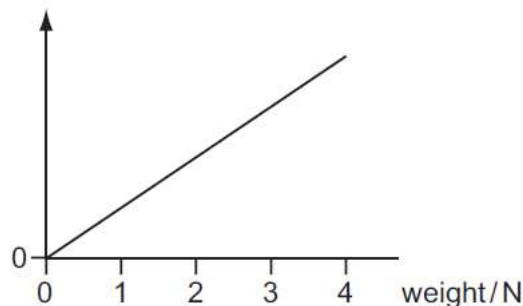
What is the mass of object M?

- A** 110 g      **B** 150 g      **C** 200 g      **D** 300 g

2.

A student adds weights to an elastic cord. He measures the length of the cord for each weight.

He then plots a graph from the results, as shown.



Which length has he plotted on the vertical axis?

- A** measured length  
**B** original length  
**C** (measured length – original length)  
**D** (measured length + original length)



3.

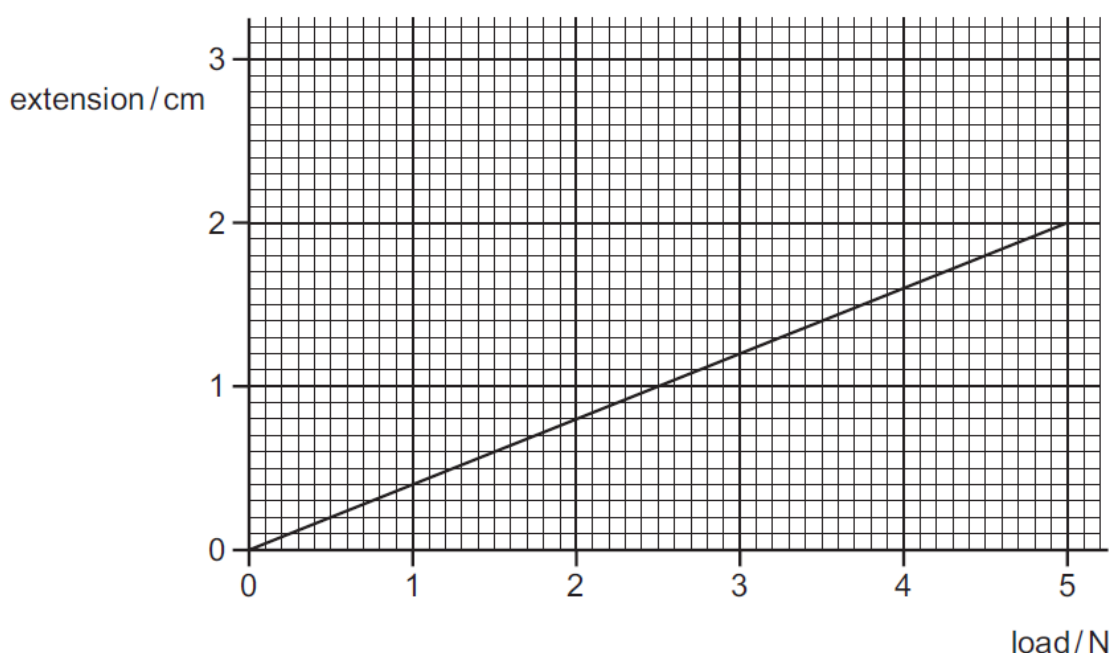
A force acts on a moving rubber ball.

Which of these changes could **not** happen to the ball because of the force?

- A a change in direction
- B a change in mass
- C a change in shape
- D a change in speed

4.

The extension /load graph for a spring is shown. The unloaded length of the spring is 15.0 cm.



When an object of unknown weight is hung on the spring, the length of the spring is 16.4 cm.

What is the weight of the object?

- A 0.55 N
- B 0.67 N
- C 3.5 N
- D 4.1 N

5.

Which statement about a moving object is correct?

- A When an object is accelerating, the resultant force acting on it must equal zero.
- B When an object is moving at a steady speed, the air resistance acting on it must equal zero.
- C When an object is moving at a steady speed, the resultant force acting on it must equal zero.
- D When an object is moving, there must be a resultant force acting on it.

6.

An experiment is carried out to measure the extension of a rubber band for different loads.

The results are shown below.

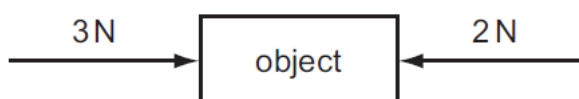
load / N	0	1	2	3
length / cm	15.2	16.2		18.6
extension / cm	0	1.0	2.1	3.4

Which figure is missing from the table?

- A** 17.2                      **B** 17.3                      **C** 17.4                      **D** 17.6

7.

The object in the diagram is acted upon by the two forces shown.



What is the effect of these forces?

- A** The object moves to the left with constant speed.  
**B** The object moves to the left with constant acceleration.  
**C** The object moves to the right with constant speed.  
**D** The object moves to the right with constant acceleration.

8.

Which property of an object **cannot** be changed by a force?

- A** its mass  
**B** its motion  
**C** its shape  
**D** its size

Below are four statements about the effects of forces on objects.

Three of the statements are correct.

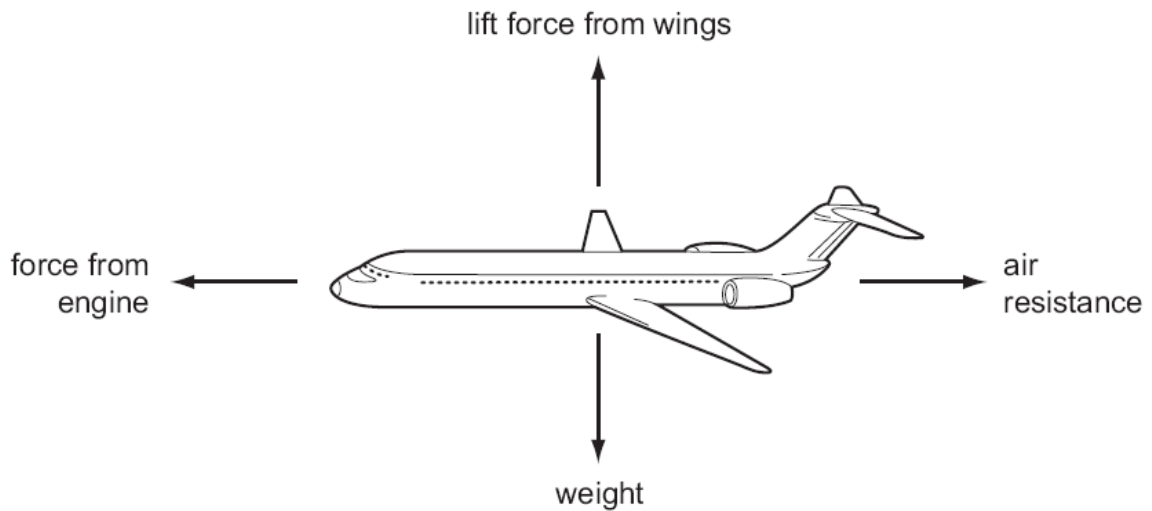
Which statement is **incorrect**?

- A** A force can change the length of an object.  
**B** A force can change the mass of an object.  
**C** A force can change the shape of an object.  
**D** A force can change the speed of an object.

9.

An aeroplane is in equilibrium.

The diagram shows the forces acting on the aeroplane.

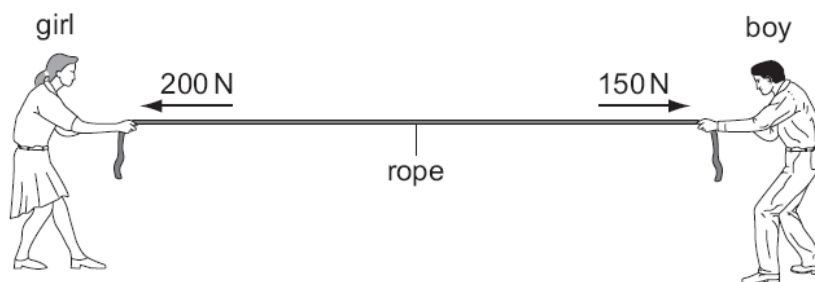


Which statement about the forces is correct?

	force from engine	lift force from wings
<b>A</b>	equal to air resistance	equal to weight
<b>B</b>	equal to air resistance	greater than weight
<b>C</b>	greater than air resistance	equal to weight
<b>D</b>	greater than air resistance	greater than weight

10.

A girl and a boy are pulling in opposite directions on a rope. The forces acting on the rope are shown in the diagram.

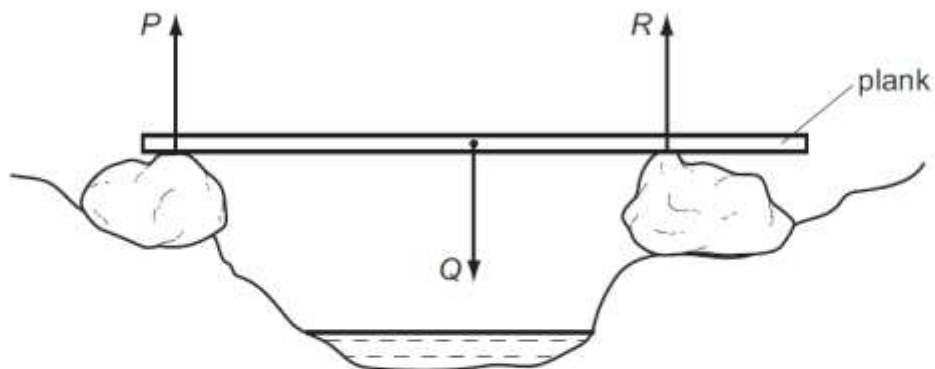


Which single force has the same effect as the two forces shown?

- A** 50N acting towards the girl
- B** 350N acting towards the girl
- C** 50N acting towards the boy
- D** 350N acting towards the boy

11.

A wooden plank rests in equilibrium on two boulders on opposite sides of a narrow stream. Three forces of size  $P$ ,  $Q$  and  $R$  act on the plank.



How are the sizes of the forces related?

- A  $P + Q = R$
- B  $P + R = Q$
- C  $P = Q = R$
- D  $P = Q + R$

12.

A force acts on a moving rubber ball.

How many of the following changes could happen to the ball because of the force?

- a change in direction
- a change in shape
- a change in mass
- a change in speed

- A 1                      B 2                      C 3                      D 4

13.

The table shows the length of a wire as the load on it is increased.

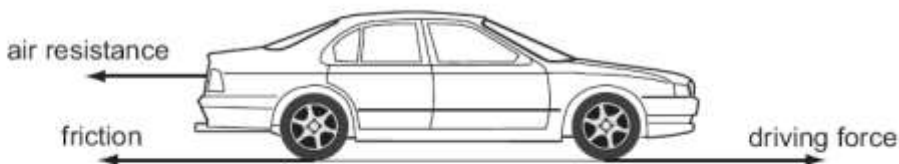
load/N	0	10	20	30
length/cm	50.0	52.1	54.1	56.3

Which subtraction should be made to find the extension caused by the 20 N load?

- A  $54.1 \text{ cm} - 0 \text{ cm}$
- B  $54.1 \text{ cm} - 50.0 \text{ cm}$
- C  $54.1 \text{ cm} - 52.1 \text{ cm}$
- D  $56.3 \text{ cm} - 54.1 \text{ cm}$

14.

Three horizontal forces act on a car that is moving along a straight, level road.



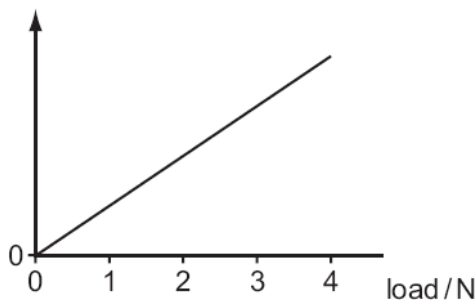
Which combination of forces would result in the car moving at constant speed?

	air resistance	friction	driving force
<b>A</b>	200 N	1000 N	800 N
<b>B</b>	800 N	1000 N	200 N
<b>C</b>	800 N	200 N	1000 N
<b>D</b>	1000 N	200 N	800 N

15.

A student adds loads to an elastic cord. He measures the length of the cord for each load.

He then plots a graph from the results.

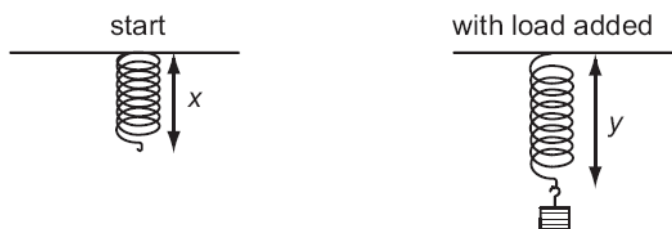


Which length is plotted on the vertical axis?

- A measured length
- B original length
- C (measured length – original length)
- D (measured length + original length)

16.

A student carries out an experiment to plot an extension / load graph for a spring. The diagrams show the apparatus at the start of the experiment and with a load added.



What is the extension caused by the load?

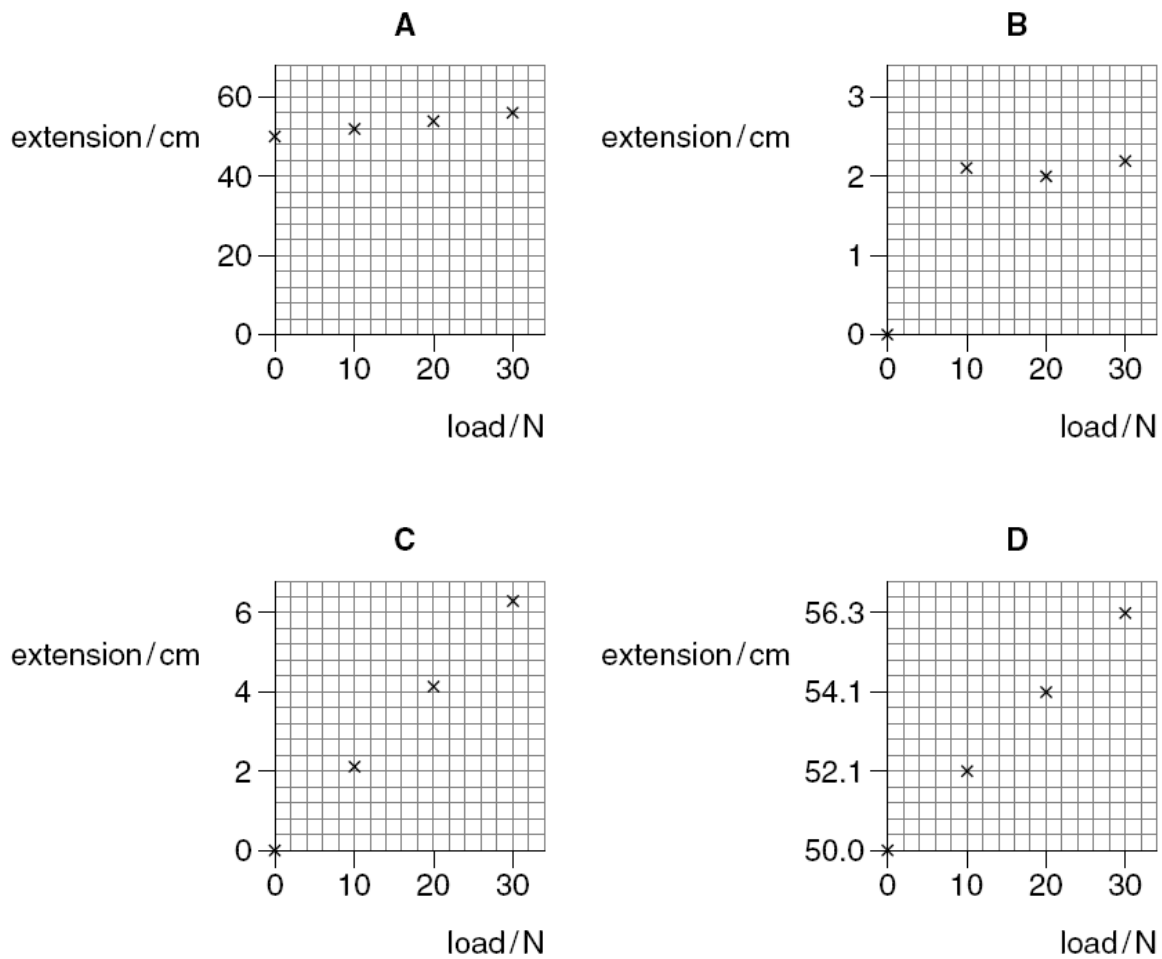
- A  $x$
- B  $y$
- C  $y + x$
- D  $y - x$

17.

The table below shows the length of a wire as the load on it is increased.

load / N	0	10	20	30
length / cm	50.0	52.1	54.1	56.3

Which graph correctly shows the extension of the wire plotted against load?



18.

An experiment is carried out to measure the extension of a rubber band for different loads.

The results are shown below.

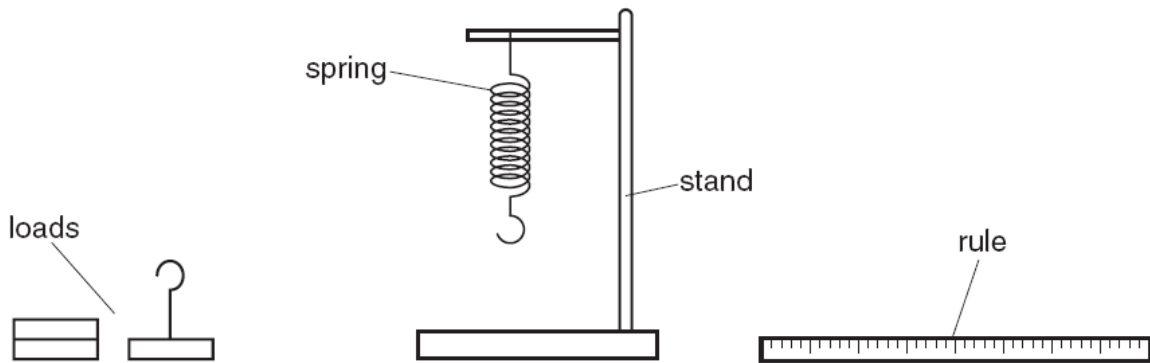
load / N	0	1	2	3
length / cm	15.2	16.2		18.6
extension / cm	0	1.0	2.1	3.4

Which figure is missing from the table?

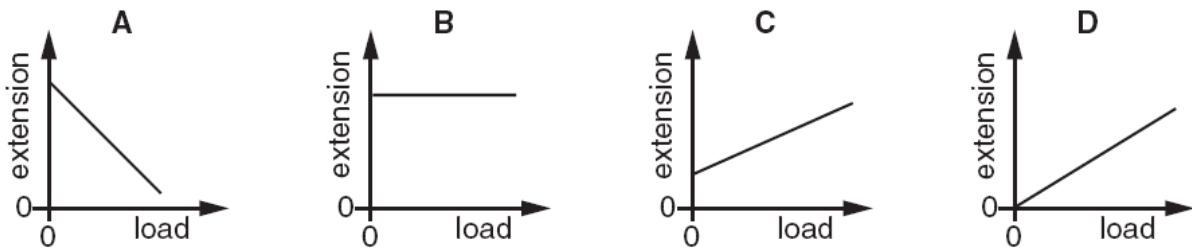
- A** 16.5      **B** 17.3      **C** 17.4      **D** 18.3

19.

A spring is suspended from a stand. Loads are added and the extensions are measured.

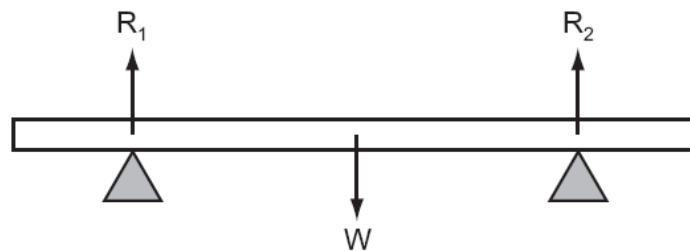


Which graph shows the result of plotting extension against load?



20.

A heavy beam is resting on two supports, so that there are three forces acting on it.



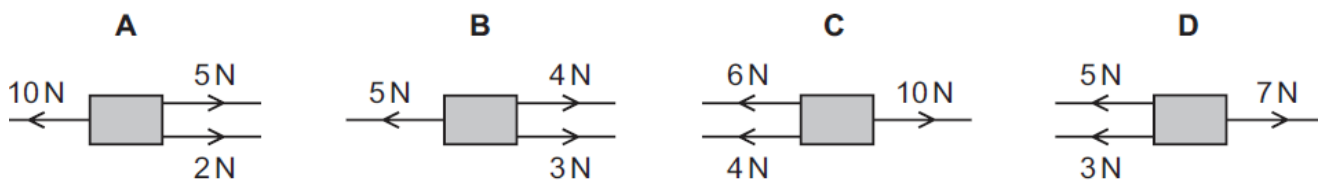
The beam is in equilibrium.

Which statement is correct?

- A All the forces are equal in value.
- B The forces are in one direction and their turning effects are in the opposite direction.
- C The resultant force is zero and the resultant turning effect is zero.
- D The total upward force is twice the total downward force.

21.

Which combination of forces produces a resultant force acting towards the right?

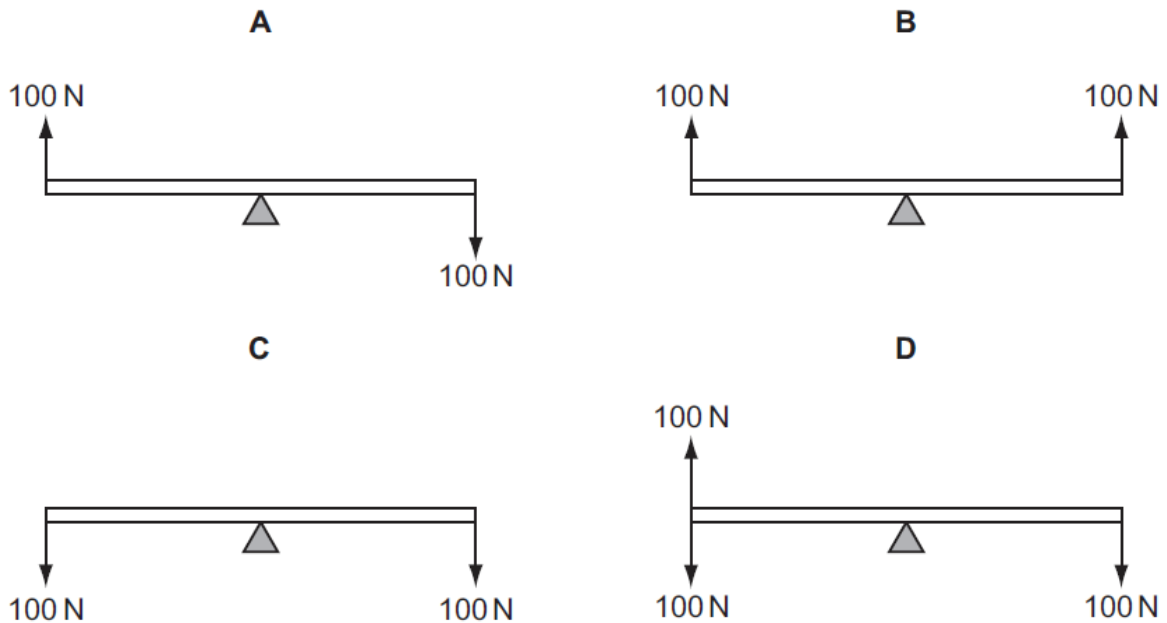


**Topic 5.2– Force and moment-turning effect**

1.

A uniform rod rests on a pivot at its centre. The rod is not attached to the pivot. Forces are then applied to the rod in four different ways, as shown. The weight of the rod can be ignored.

Which diagram shows the rod in equilibrium?



2.

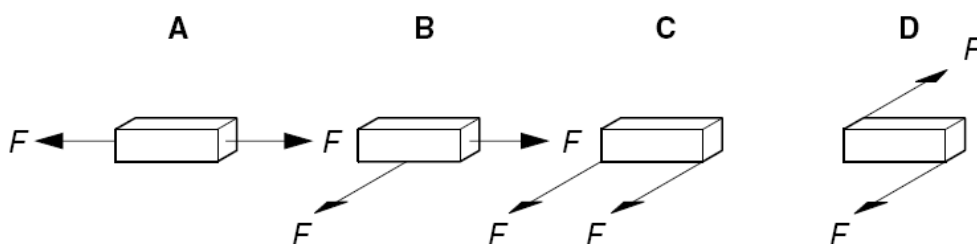
What are the conditions for equilibrium?

	resultant force acting	resultant turning effect acting
<b>A</b>	yes	yes
<b>B</b>	yes	no
<b>C</b>	no	yes
<b>D</b>	no	no

3.

The diagrams show a brick resting on a smooth surface. Two equal forces  $F$  act on the brick.

In which diagram does the brick **not** move?

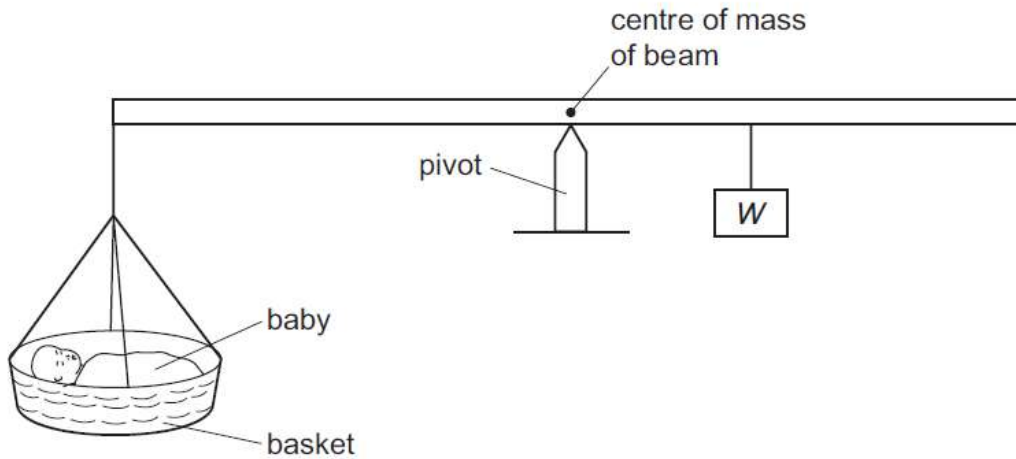




4.

The diagram shows a balance being used to find the weight of a baby. The weight of the basket can be ignored.

At equilibrium, the pivot is nearer to the weight  $W$  than to the baby.

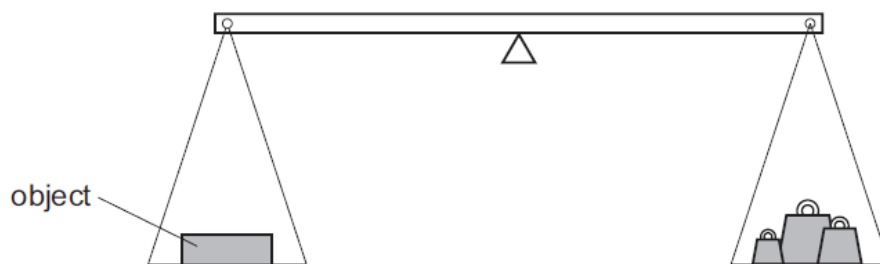


What is the weight of the baby?

- A less than  $W$
- B more than  $W$
- C  $W$
- D impossible to tell

5.

The weight of an object is to be found using the balance shown in the diagram.



The object is put in the left-hand pan and various standard weights are put in the right-hand pan. These are the results.

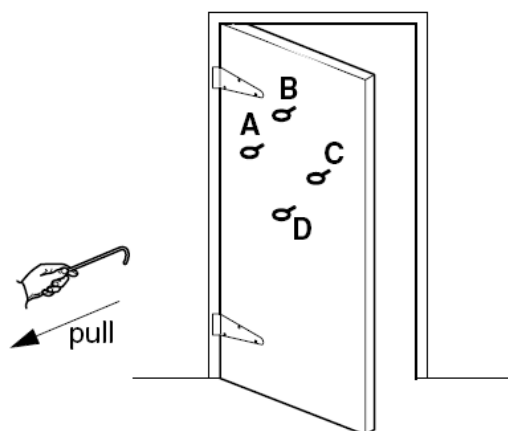
weights in the right-hand pan	effect
0.1 N, 0.1 N, 0.05 N, 0.02 N	balance tips down slightly on the left-hand side
0.2 N, 0.1 N, 0.01 N	balance tips down slightly on the right-hand side

What is the best estimate of the weight of the object?

- A 0.27 N
- B 0.29 N
- C 0.31 N
- D 0.58 N

6.

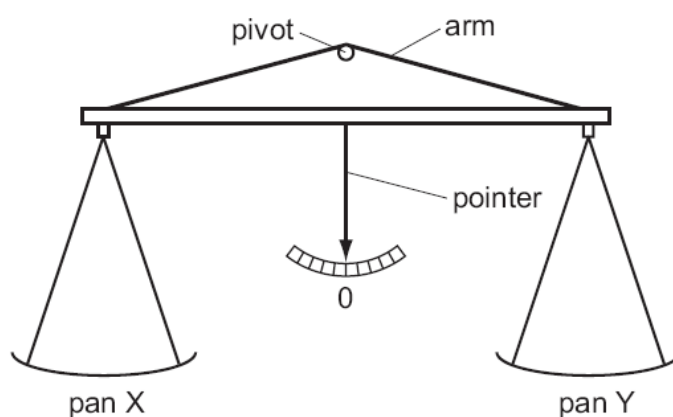
Four rings are screwed into a door, as shown. The door can be opened by putting a hook into one of the rings and pulling.



Which ring should be used if the pulling force is to be as small as possible?

7.

A simple balance has two pans suspended from the ends of arms of equal length. When it is balanced, the pointer is at 0.



Four masses (in total) are placed on the pans, with one or more on pan X and the rest on pan Y.

Which combination of masses can be used to balance the pans?

- A 1g, 1g, 5g, 10g
- B 1g, 2g, 2g, 5g
- C 2g, 5g, 5g, 10g
- D 2g, 5g, 10g, 10g

8.

The weights of four objects, 1 to 4, are compared using a balance.



Which object is the lightest?

- A object 1      B object 2      C object 3      D object 4

9.

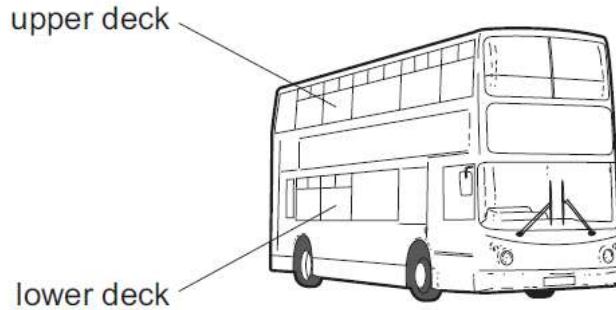
Two forces act on an object.

In which situation is it **impossible** for the object to be in equilibrium?

- A The two forces act in the same direction.  
 B The two forces act through the same point.  
 C The two forces are of the same type.  
 D The two forces are the same size.

**Topic 5.3 – Force and moment-centre of mass**

1. Passengers are **not** allowed to stand on the upper deck of double-decker buses.

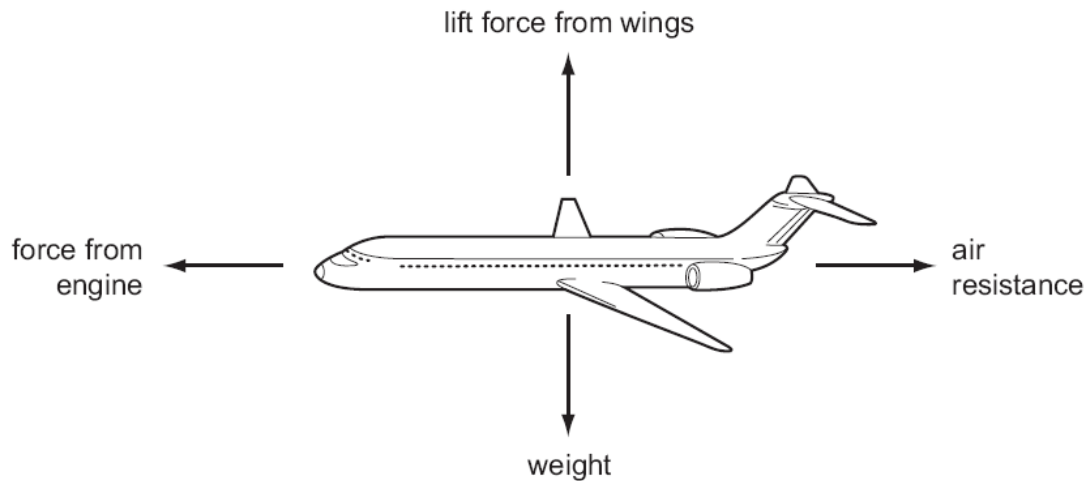


Why is this?

- A They would cause the bus to become unstable.
- B They would cause the bus to slow down.
- C They would increase the kinetic energy of the bus.
- D They would lower the centre of mass of the bus.

2. An aeroplane is in equilibrium.

The diagram shows the forces acting on the aeroplane.



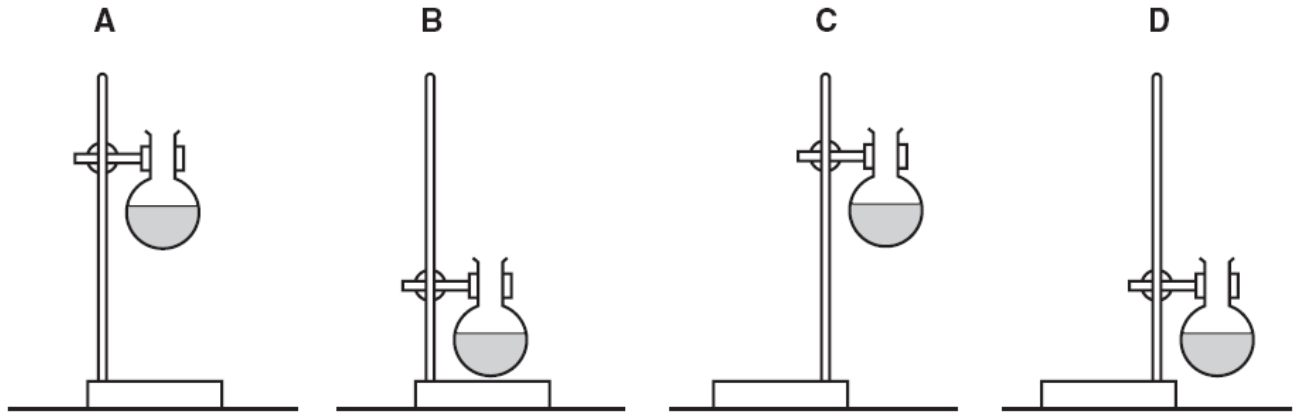
Which statement about the forces is correct?

	force from engine	lift force from wings
A	equal to air resistance	equal to weight
B	equal to air resistance	greater than weight
C	greater than air resistance	equal to weight
D	greater than air resistance	greater than weight

3.

A student uses a stand and clamp to hold a flask of liquid.

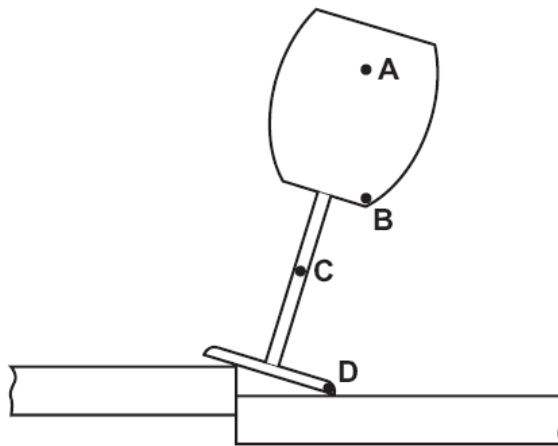
Which diagram shows the most stable arrangement?



4.

An empty glass is placed on a join between two tables as shown. The glass remains stable.

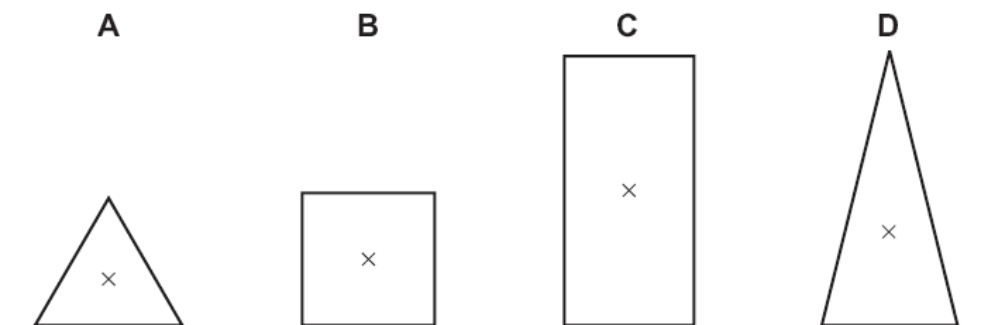
Which point is the centre of mass of the glass?



5.

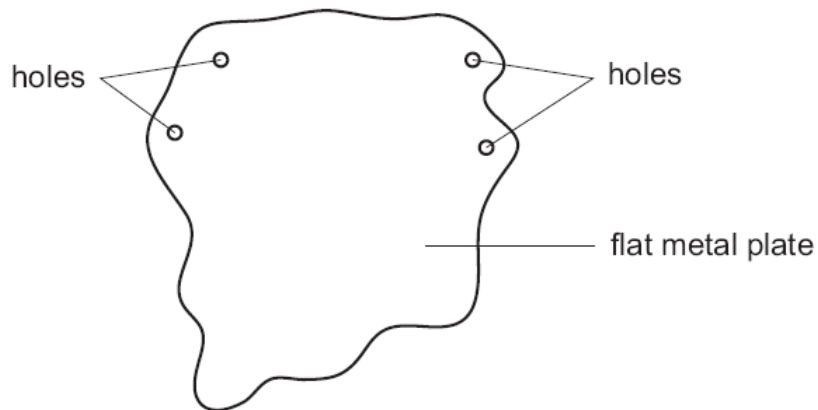
The diagram shows sections of four objects of equal mass. The position of the centre of mass of each object has been marked with a cross.

Which object is the most stable?



6.

The diagram shows a flat metal plate that may be hung from a nail so that it can rotate about any of four holes.



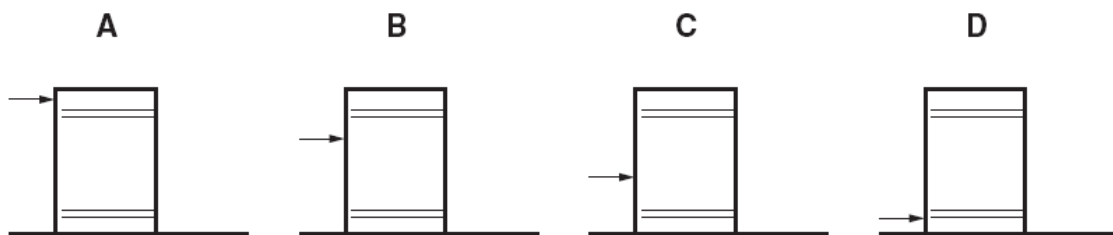
What is the smallest number of holes from which the flat metal plate should be hung in order to find its centre of gravity?

- A** 1                      **B** 2                      **C** 3                      **D** 4

7.

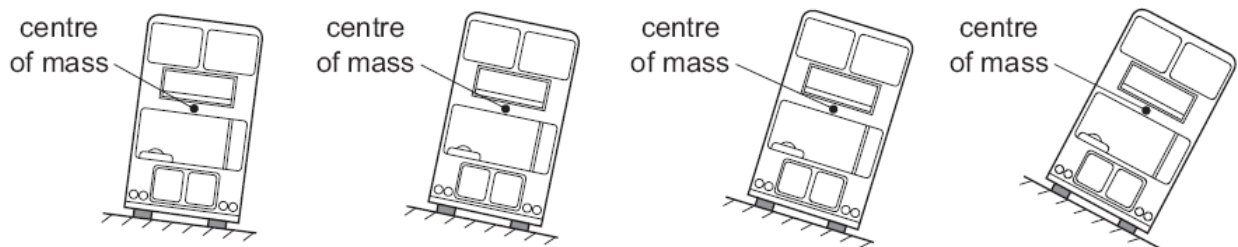
A child tries to push over a large empty oil drum.

Where should the drum be pushed to topple it over with least force?



8.

The diagram shows four models of buses placed on different ramps.



How many of these models will fall over?

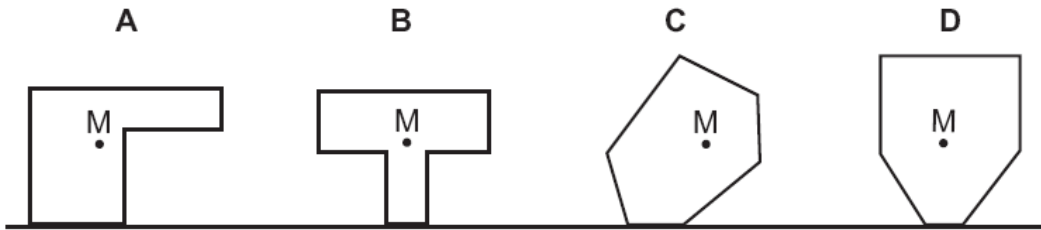
- A** 1                      **B** 2                      **C** 3                      **D** 4

9.

The diagram shows four objects standing on a flat surface.

The centre of mass of each object is marked M.

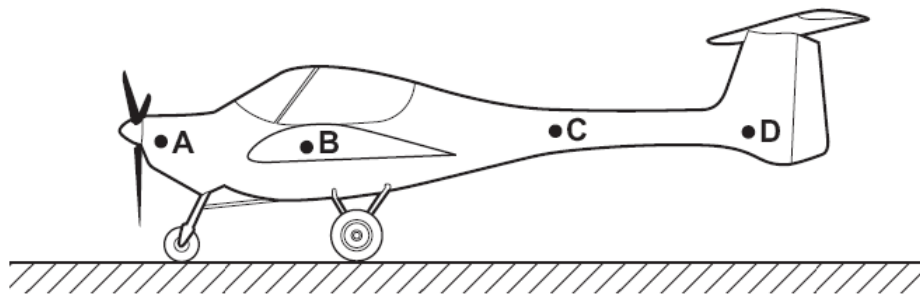
Which object will fall over?



10.

A light aircraft stands at rest on the ground. It stands on three wheels, one at the front and two further back.

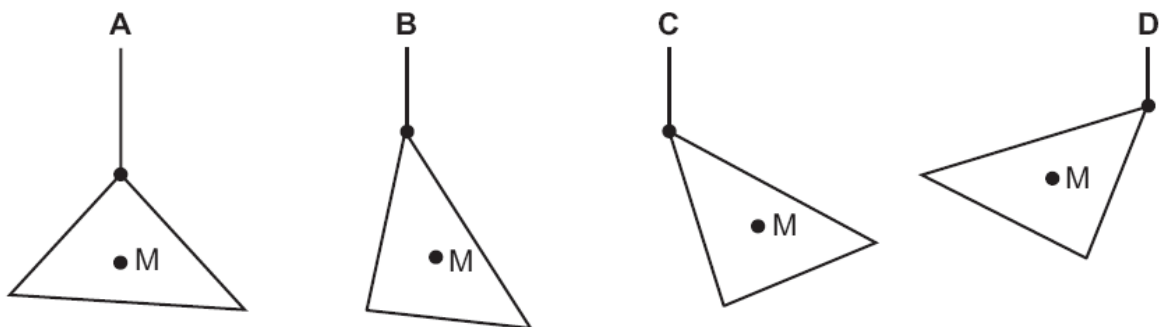
Which point could be its centre of mass?



11.

A piece of card has its centre of mass at M.

Which diagram shows how it hangs when suspended by a thread?



### Topic 6 –Energy, work and power

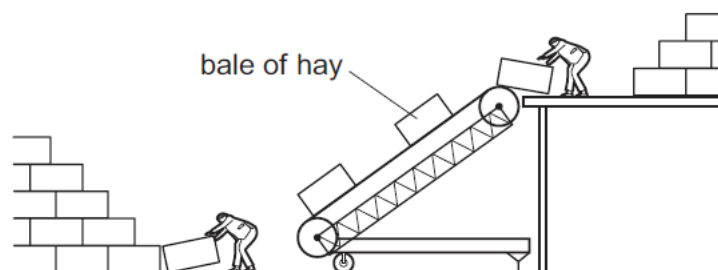
1. Which row gives an example of the stated form of energy?

	form of energy	example
<b>A</b>	gravitational	the energy due to the movement of a train along a level track
<b>B</b>	internal	the energy due to the flow of cathode rays in a cathode-ray tube
<b>C</b>	kinetic	the energy due to the position of a swimmer standing on a high diving board
<b>D</b>	strain	the energy due to the compression of springs in a car seat

2. Which energy resource is used to generate electricity by first boiling water?

- A** hydroelectric
- B** nuclear fission
- C** tides
- D** waves

3. Two farmers use an electrically powered elevator to lift bales of hay. All the bales of hay have the same mass.



As sunset approaches, they increase the speed of the motor so that more bales are lifted up in a given time.

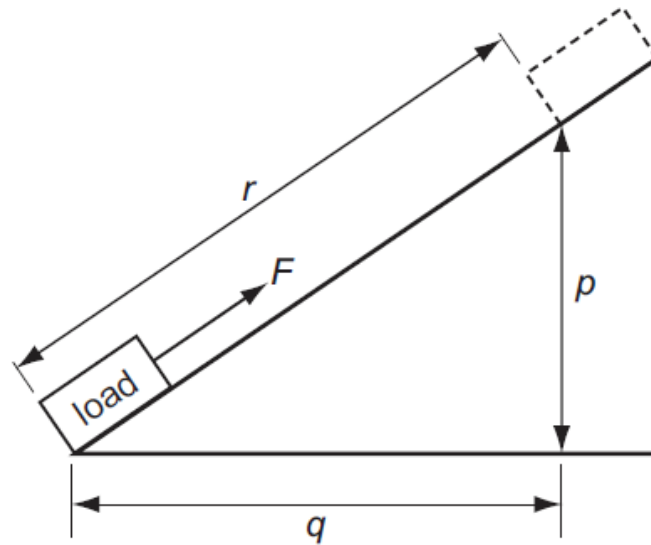
How does this affect the work done in lifting each bale and the useful output power of the motor?

	work done in lifting each bale	useful output power of the motor
<b>A</b>	increases	decreases
<b>B</b>	increases	increases
<b>C</b>	no change	decreases
<b>D</b>	no change	increases

4.



A force  $F$  moves a load from the bottom of a slope to the top.



The work done by the force depends on the size of the force, and on a distance.

What is this distance?

- A**  $p$                       **B**  $q$                       **C**  $r$                       **D**  $p + q$

5.

Which of these is designed to change electrical energy into kinetic energy?

- A** a capacitor  
**B** a generator  
**C** a motor  
**D** a transformer

6.

A car is driven on a long journey along a flat, horizontal road. The car stops several times on the journey and its engine becomes hot.

Which type of energy does **not** change during the journey?

- A** the chemical energy in the fuel tank  
**B** the gravitational energy of the car  
**C** the internal (thermal) energy of the engine  
**D** the kinetic energy of the car

7.

Energy is stored in a battery and in a box of matches.

Which type of energy is stored in each of them?

	a battery	a box of matches
<b>A</b>	chemical	chemical
<b>B</b>	chemical	internal (thermal)
<b>C</b>	electrical	chemical
<b>D</b>	electrical	internal (thermal)

8.

A man lifts 20 bricks, each of weight 6 N.

What other information is needed to calculate the useful work done in lifting the bricks?

- A** the distance he lifts the bricks
- B** the mass of the bricks
- C** the time taken to lift the bricks
- D** the volume of the bricks

9.

The diagram shows a microphone being used in an interview.



Which energy change takes place in the microphone?

	input energy	output energy
<b>A</b>	chemical	electrical
<b>B</b>	electrical	chemical
<b>C</b>	electrical	sound
<b>D</b>	sound	electrical

10.

The table shows the times taken for four children to run up a set of stairs.

Which child's power is greatest?

	mass of child/kg	time/s
<b>A</b>	40	10
<b>B</b>	40	20
<b>C</b>	60	10
<b>D</b>	60	20

11.

Electricity can be obtained from different energy resources.

Which energy resource is used to obtain electricity without producing heat to boil water?

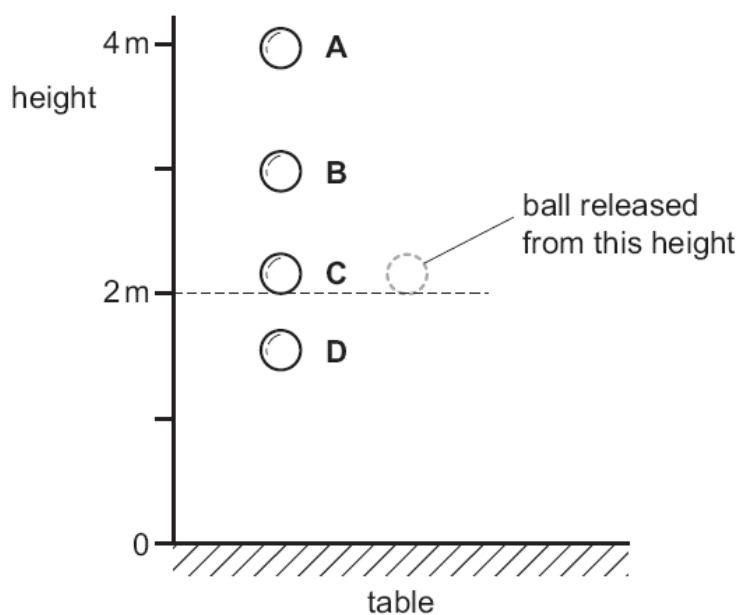
- A** coal
- B** geothermal
- C** hydroelectric
- D** nuclear

12.

A rubber ball is dropped from a height of 2 m on to a table.

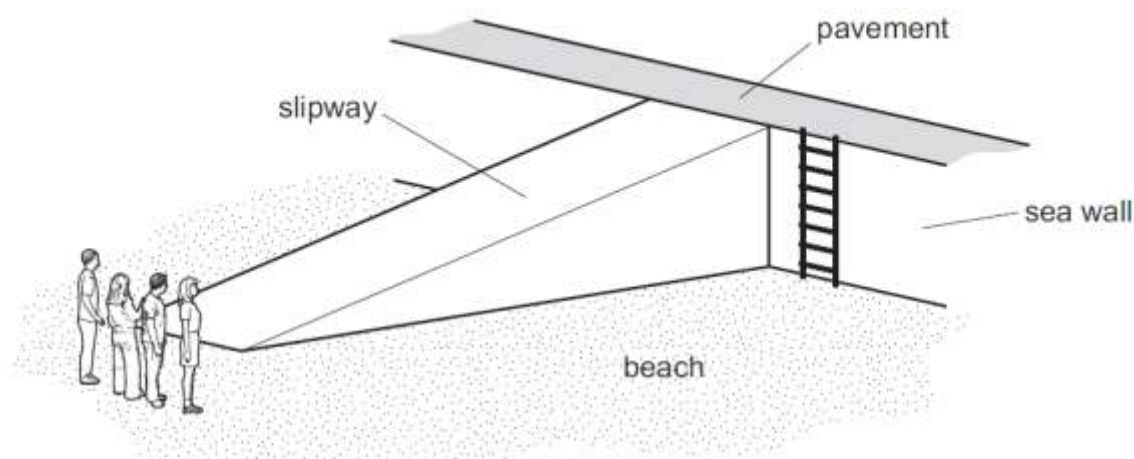
Whilst in contact with the table, some of its energy is converted into internal energy.

What is the highest possible point the ball could reach after bouncing?



13.

Four people of equal weight on a beach use different routes to get to the top of a sea wall.

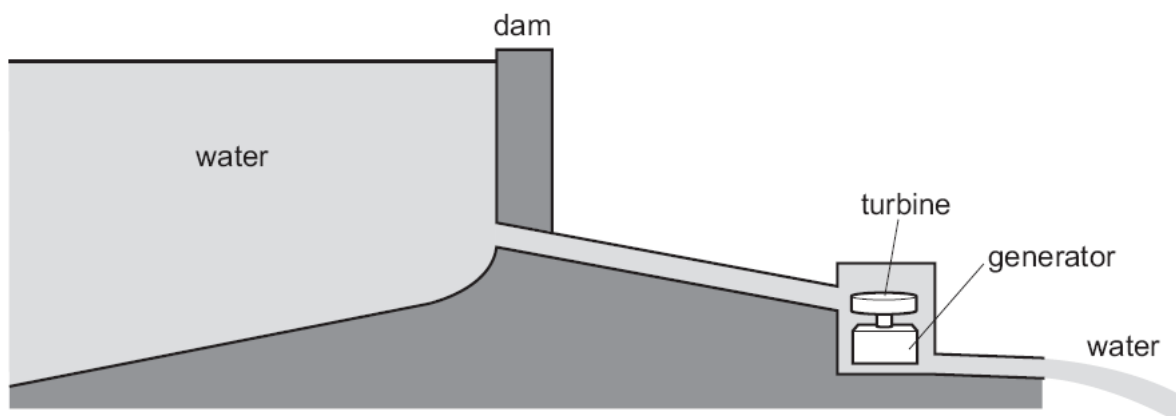


Which person produces the **greatest** average power?

person	route	time taken
<b>A</b>	runs across the beach, then climbs the ladder	8 s
<b>B</b>	walks across the beach, then climbs the ladder	16 s
<b>C</b>	runs up the slipway	5 s
<b>D</b>	walks up the slipway	10 s

14.

The diagram shows water stored behind a dam.



The water flows to a turbine and turns a generator.

Which sequence for the conversion of energy is correct?

- A** gravitational energy → kinetic energy → electrical energy
- B** kinetic energy → gravitational energy → electrical energy
- C** gravitational energy → electrical energy → kinetic energy
- D** kinetic energy → electrical energy → gravitational energy

15.

Which source of energy uses the production of steam to generate electricity?

- A hydroelectric
- B nuclear
- C tides
- D waves

16. ?

A worker is lifting boxes of identical weight from the ground onto a moving belt.

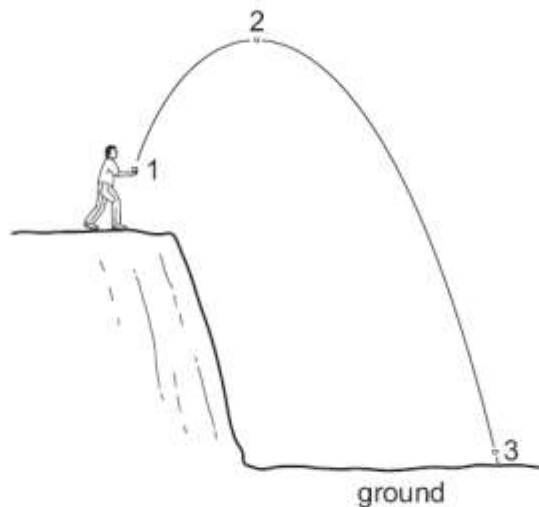
At first, it takes him 2 s to lift each box. Later in the day, it takes him 3 s.

Which statement is correct?

- A Later in the day, less work is done in lifting each box.
- B Later in the day, more work is done in lifting each box.
- C Later in the day, less power is developed in lifting each box.
- D Later in the day, more power is developed in lifting each box.

17.

A stone is thrown from the edge of a cliff. Its path is shown in the diagram.

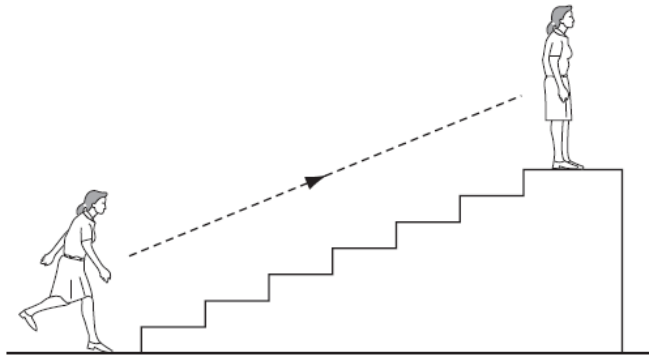


In which position does the stone have its greatest kinetic energy and in which position does it have its least gravitational energy?

	greatest kinetic energy	least gravitational energy
A	1	2
B	2	3
C	3	1
D	3	3

18.

A person uses chemical energy to run up some stairs.



She stops at the top of the stairs.

What has the chemical energy been converted to when she is at the top of the stairs?

- A kinetic energy and gravitational energy
- B kinetic energy and strain energy
- C gravitational energy and heat energy
- D strain energy and heat energy

19.

What is the source of the energy converted by a hydro-electric power station?

- A hot rocks
- B falling water
- C oil
- D waves

20.

Electrical energy may be obtained from nuclear fission.

In what order is the energy transferred in this process?

- A nuclear fuel → generator → reactor and boiler → turbines
- B nuclear fuel → generator → turbines → reactor and boiler
- C nuclear fuel → reactor and boiler → generator → turbines
- D nuclear fuel → reactor and boiler → turbines → generator

21.

Which form of energy is used to generate electrical energy in a tidal power station?

- A chemical energy
- B gravitational energy
- C internal energy (thermal energy)
- D nuclear energy

22.

Which line in the table gives an example of the stated form of energy?

	form of energy	example
<b>A</b>	gravitational	the energy due to the movement of a train
<b>B</b>	internal	the energy due to the flow of cathode rays in a cathode ray tube
<b>C</b>	kinetic	the energy due to the position of a swimmer standing on a high diving board
<b>D</b>	strain	the energy due to the compression of springs in a car seat

23.

Which type of power station does **not** use steam from boiling water to generate electricity?

- A geothermal
- B hydroelectric
- C nuclear
- D oil-fired

24.

A cyclist travels down a hill from rest at point X without pedalling.

The cyclist applies his brakes and the cycle stops at point Y.



Which energy changes have taken place between X and Y?

- A kinetic → internal (heat) → gravitational potential
- B kinetic → gravitational potential → internal (heat)
- C gravitational potential → internal (heat) → kinetic
- D gravitational potential → kinetic → internal (heat)

25.

Which form of energy do we receive directly from the Sun?

- A chemical
- B light
- C nuclear
- D sound

26.

A labourer on a building site lifts a heavy concrete block onto a lorry. He then lifts a light block the same distance in the same time.

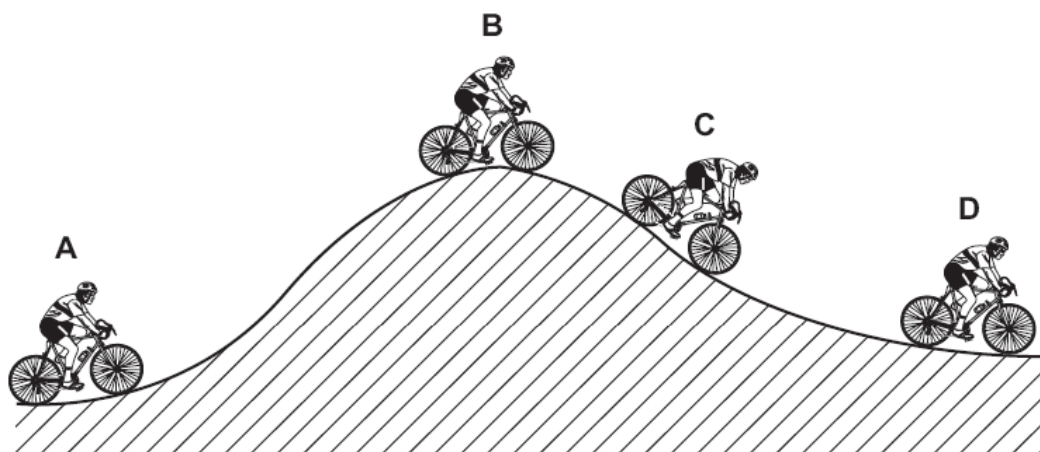
Which of the following is true?

	work done in lifting the blocks	power exerted by labourer
<b>A</b>	less for the light block	less for the light block
<b>B</b>	less for the light block	the same for both blocks
<b>C</b>	more for the light block	more for the light block
<b>D</b>	the same for both blocks	more for the light block

27.

The diagram shows a cyclist riding along a hilly road.

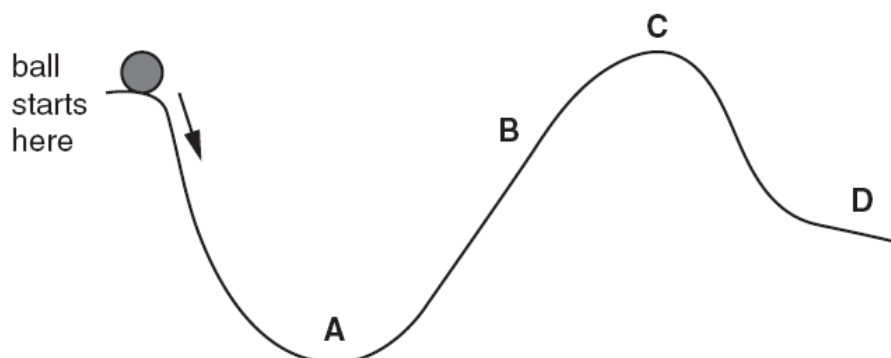
At which position does the cyclist have the least gravitational (potential) energy?



28.

A ball is released from rest and rolls down a track from the position shown.

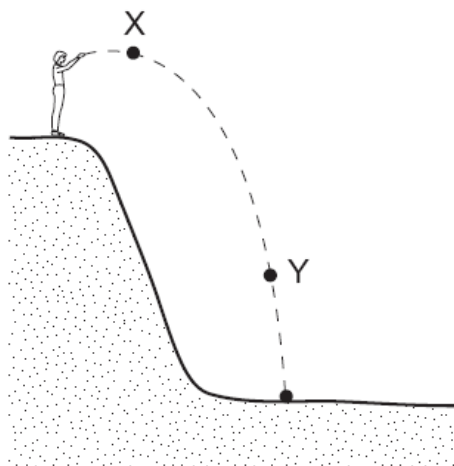
What is the furthest position the ball could reach?



29.



A man standing at the top of a cliff throws a stone.



Which forms of energy does the stone have at X and at Y?

	energy at X	energy at Y
<b>A</b>	gravitational only	kinetic only
<b>B</b>	kinetic only	gravitational only
<b>C</b>	gravitational only	gravitational and kinetic
<b>D</b>	gravitational and kinetic	gravitational and kinetic

30.

A child pushes a toy car along a level floor and then lets it go.

As the car slows down, what is the main energy change?

- A** from chemical to heat
- B** from chemical to kinetic
- C** from kinetic to gravitational (potential)
- D** from kinetic to heat

31.

A large electric motor is used to lift a container off a ship.

Which of the following values are enough to allow the power of the motor to be calculated?

- A** the mass of the container and the distance moved
- B** the force used and the distance moved
- C** the current used and the work done
- D** the work done and the time taken

**Topic 8 – Simple kinetic molecular theory**

1.

A sealed gas cylinder is left outside on a hot, sunny day.

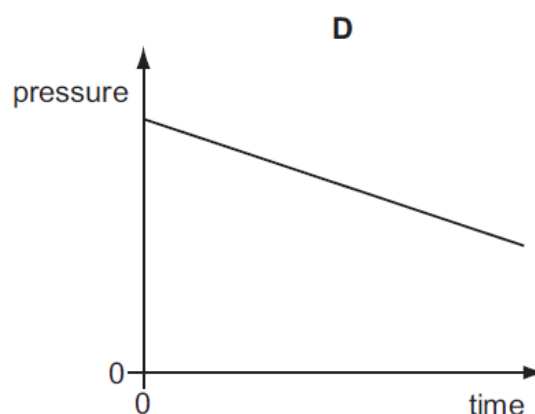
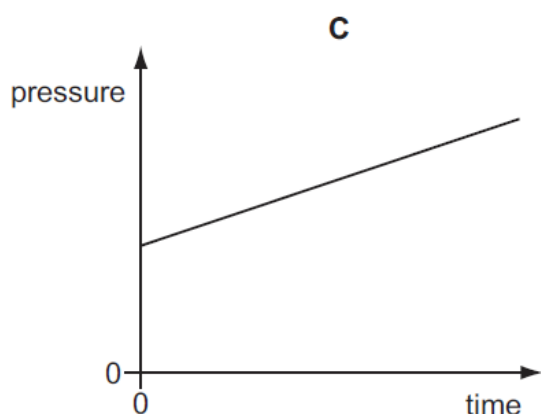
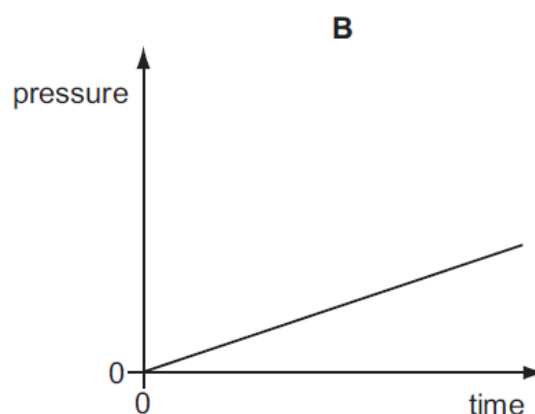
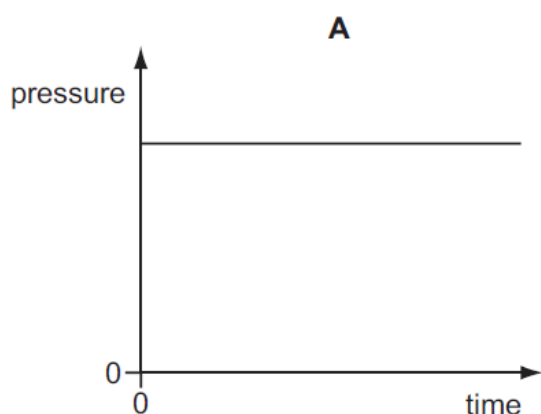
What happens to the average speed of the molecules and to the pressure of the gas in the cylinder as the temperature rises?

	average speed of the gas molecules	gas pressure
<b>A</b>	falls	falls
<b>B</b>	falls	rises
<b>C</b>	rises	falls
<b>D</b>	rises	rises

2.

The pressure of a fixed mass of gas in a cylinder is measured. The volume of the gas in the cylinder is then slowly decreased. The temperature of the gas does not change.

Which graph could show the change of pressure of the gas during this process?



3.

When a liquid evaporates, some molecules escape from it and its temperature changes.

From where do the molecules escape and what is the effect on the temperature of the liquid?

	molecules escape from	temperature of liquid
<b>A</b>	all parts of the liquid	decreases
<b>B</b>	all parts of the liquid	increases
<b>C</b>	only the liquid surface	decreases
<b>D</b>	only the liquid surface	increases

4.

Evaporation occurs when molecules escape from a liquid surface into the air above it. During this process the temperature of the liquid falls.

Why does the temperature of the liquid fall?

- A** The molecules in the vapour expand because the pressure is less.
- B** The molecules left in the liquid have more space to move around.
- C** The molecules move more slowly when they escape into the air.
- D** The molecules with the highest energies escape into the air.

5.

Some gas in a sealed plastic bag is cooled.

How do the gas molecules behave when this happens?

- A** They move more quickly and become closer together.
- B** They move more quickly and become further apart.
- C** They move more slowly and become closer together.
- D** They move more slowly and become further apart.

6.

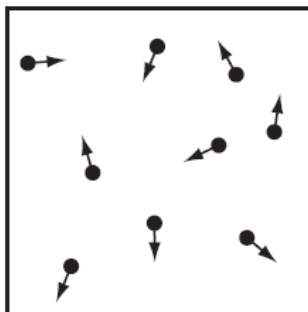
A block of ice cream is prevented from melting by wrapping it in newspaper soaked in water. The water evaporates from the newspaper.

Which molecules escape from the water and what happens to the average speed of the water molecules that remain in the newspaper?

	escaping molecules	average speed of the remaining water molecules
<b>A</b>	the more energetic ones	decreases
<b>B</b>	the more energetic ones	increases
<b>C</b>	the less energetic ones	decreases
<b>D</b>	the less energetic ones	increases

7.

The diagram represents the molecules of a gas in a closed container of constant volume.



What happens to the molecules when the gas is heated?

- A They expand.
- B They hit the walls less often.
- C They move further apart.
- D They move more quickly.

8.

A liquid is left in an open dish. After several days there is less liquid in the dish.

Which statement explains this?

- A The least energetic molecules leave the surface and escape into the air.
- B The least energetic molecules leave the surface and return.
- C The most energetic molecules leave the surface and escape into the air.
- D The most energetic molecules leave the surface and return.

9.

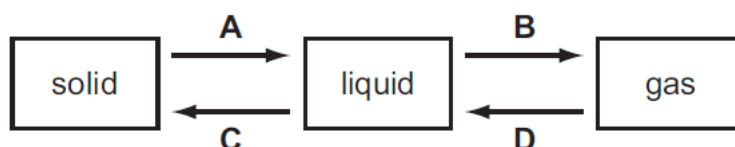
Brownian motion is observed by looking at smoke particles through a microscope.

How do the smoke particles move in Brownian motion?

- A all in the same direction
- B at random
- C in circles
- D vibrating about fixed points

10.

Which change is condensation?



11.

In an experiment, some of a substance changes from a liquid to a gas. The temperature of the remaining liquid changes because of this.

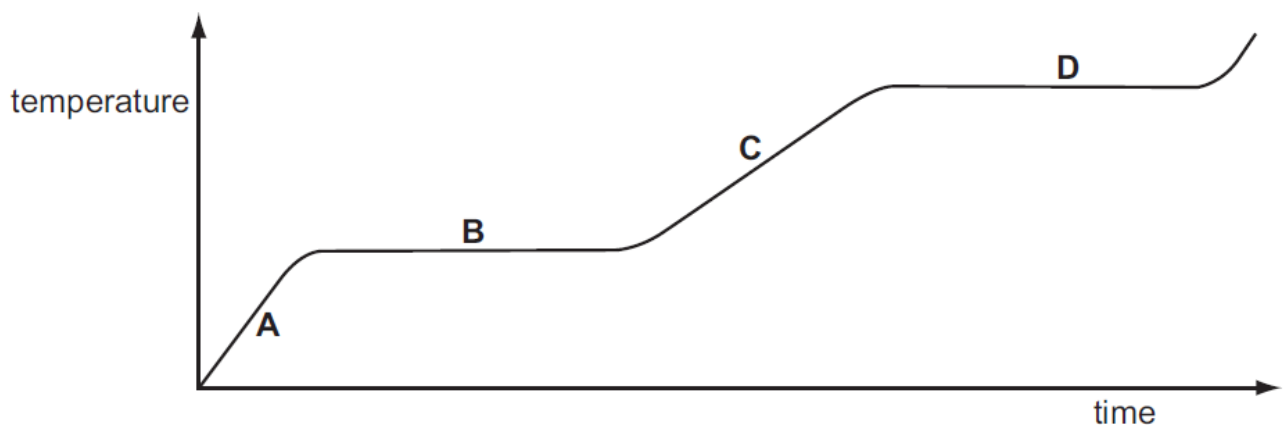
What is the name for this change of state and how does the temperature change?

	change of state	how temperature changes
<b>A</b>	condensation	decreases
<b>B</b>	condensation	increases
<b>C</b>	evaporation	decreases
<b>D</b>	evaporation	increases

12.

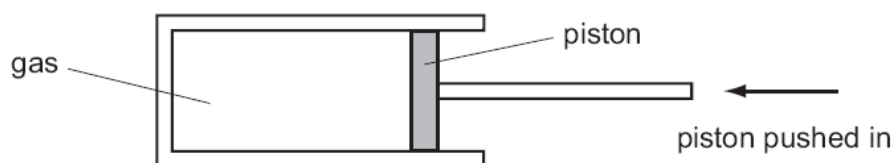
The graph shows the change in temperature of a substance as it is heated steadily.

Which part of the graph shows when the substance is boiling?



13.

A measured mass of gas is placed in a cylinder at atmospheric pressure and is then slowly compressed.



The temperature of the gas does not change.

What happens to the pressure of the gas?

- A** It drops to zero.
- B** It decreases, but not to zero.
- C** It stays the same.
- D** It increases.

14.

Viewed through a microscope, very small particles can be seen moving with Brownian motion.

Which line in the table is correct?

	type of motion of particles	particles are suspended in
<b>A</b>	vibration	a liquid or a gas
<b>B</b>	vibration	a solid, a liquid or a gas
<b>C</b>	random	a liquid or a gas
<b>D</b>	random	a solid, a liquid or a gas

15.

Air is pumped slowly into a car tyre to increase the pressure. The temperature of the air does not change.

Which line in the table is correct?

	number of molecules hitting 1 cm <sup>2</sup> of the tyre each second	average speed at which molecules hit the tyre
<b>A</b>	increases	increases
<b>B</b>	increases	unchanged
<b>C</b>	unchanged	increases
<b>D</b>	unchanged	unchanged

16.

A cylinder is filled with a gas and then sealed, so that the gas has a fixed volume.

The gas molecules are given energy so that their average speed increases.

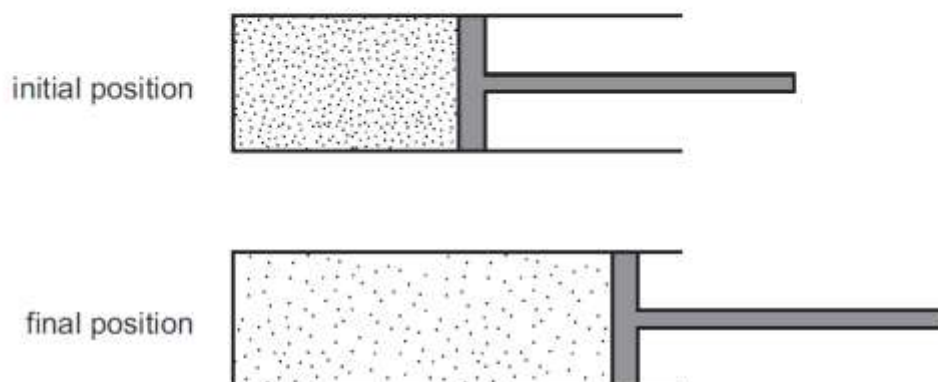
What happens to the pressure and to the temperature of the gas in the cylinder?

	pressure	temperature
<b>A</b>	decreases	decreases
<b>B</b>	decreases	increases
<b>C</b>	increases	decreases
<b>D</b>	increases	increases

17.

A piston traps a certain mass of gas inside a cylinder. Initially the piston is halfway along the length of the cylinder.

The piston is now moved towards the open end of the cylinder. The temperature of the gas remains constant.



How are the density and the pressure of the gas affected by moving the piston?

	density	pressure
<b>A</b>	decreases	decreases
<b>B</b>	decreases	unchanged
<b>C</b>	increases	decreases
<b>D</b>	increases	unchanged

18.

Which line in the table describes the properties of solids and of liquids at a fixed temperature?

	solids	liquids
<b>A</b>	definite volume and definite shape	no definite volume but definite shape
<b>B</b>	no definite volume but definite shape	definite volume and definite shape
<b>C</b>	definite volume and definite shape	definite volume but no definite shape
<b>D</b>	no definite volume but definite shape	no definite volume and no definite shape

19.

The gas in a container is heated but is kept at constant volume.

Why does the gas pressure increase?

- A** The molecules expand.
- B** The molecules increase in mass.
- C** The molecules move further apart.
- D** The molecules move more rapidly.

**20.**

Driving a car raises the temperature of the tyres.

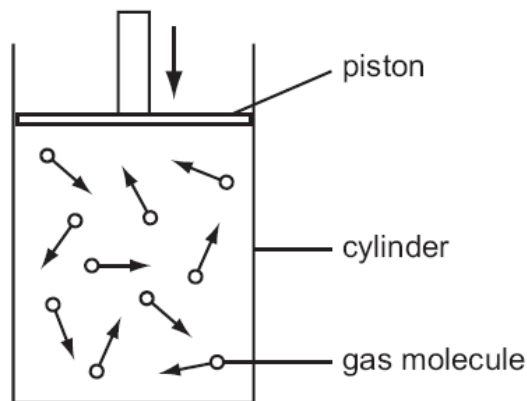
This causes the pressure of the air in the tyres to increase.

Why is this?

- A Air molecules break up to form separate atoms.
- B Air molecules expand with the rise in temperature.
- C The force between the air molecules increases.
- D The speed of the air molecules increases.

**21.**

The diagram represents gas molecules contained in a cylinder. The piston is moved slowly downwards and the temperature of the gas stays the same.



Why does the pressure of the gas increase?

- A The molecules collide harder with the walls.
- B The molecules collide more often with the walls.
- C The molecules move more quickly.
- D The number of molecules increases.

**22.**

A drop of liquid falls on a student's skin and quickly evaporates.

What is the effect on the skin and the reason?

- A The skin cools because the most energetic molecules escape from the liquid.
- B The skin cools because the most energetic molecules remain in the liquid.
- C The skin warms because the most energetic molecules escape from the liquid.
- D The skin warms because the most energetic molecules remain in the liquid.



23.

A gas cylinder is left outside on a sunny day.

The Sun heats the gas inside the cylinder.

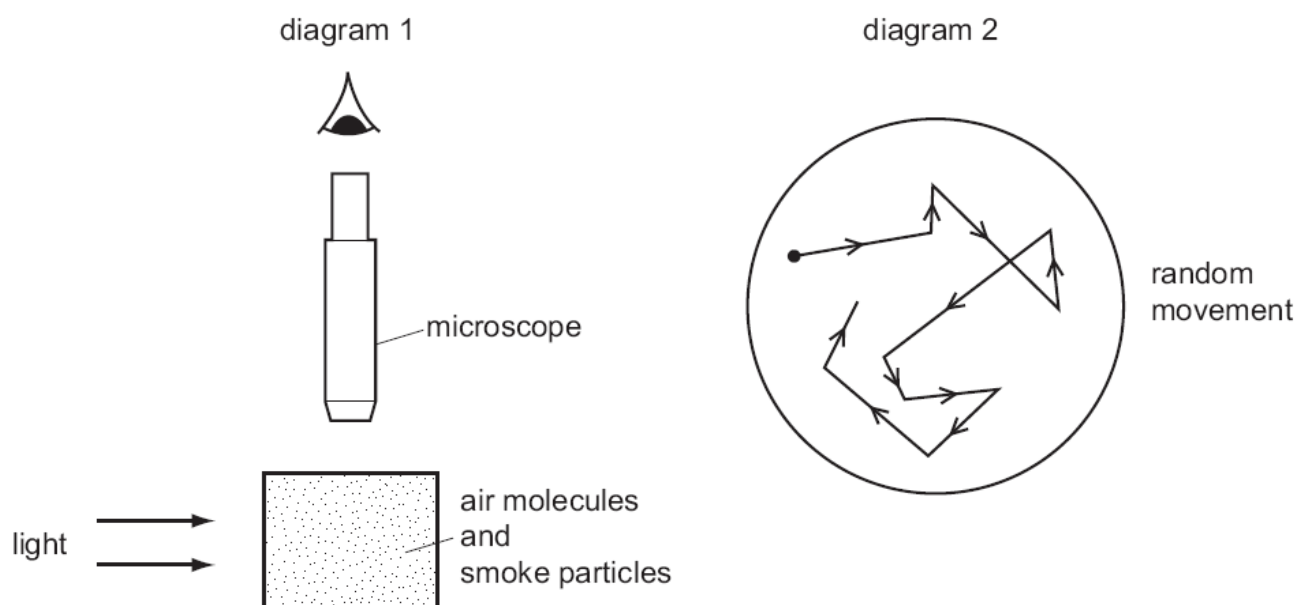
What happens to the gas molecules?

- A They collide less often.
- B They expand.
- C They move closer together.
- D They move more rapidly.

24.

Diagram 1 shows apparatus being used to observe smoke particles.

Diagram 2 shows how a smoke particle moves randomly.



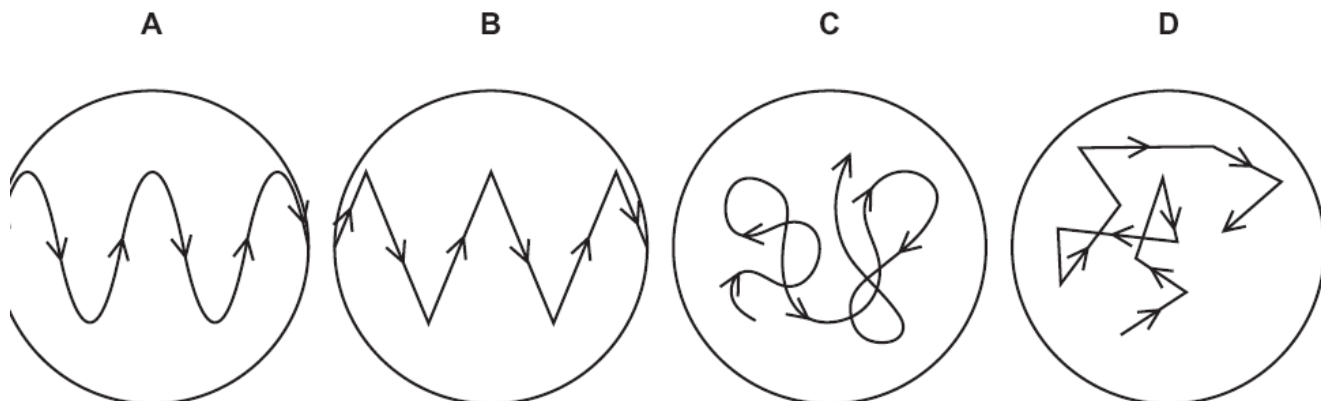
Why do the smoke particles move randomly?

- A They are hit by air molecules.
- B They are less dense than air.
- C They are moved by convection currents.
- D They gain energy from the light.

25.

A suspension of pollen grains in water is observed under a microscope. The pollen grains are seen to be moving all the time.

Which diagram illustrates this motion?



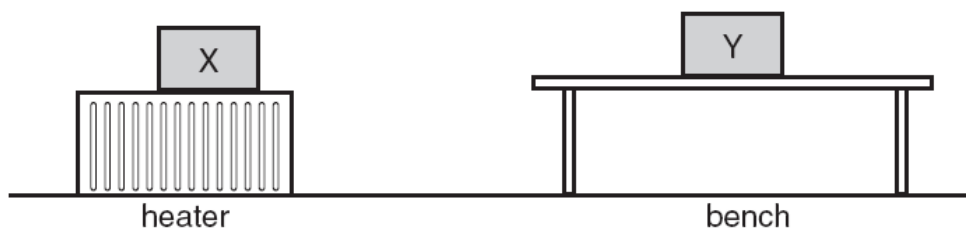
26.

Which line in the table correctly describes whether the molecules of a solid, liquid and gas are moving or stationary?

	solid	liquid	gas
<b>A</b>	stationary	stationary	stationary
<b>B</b>	stationary	stationary	moving
<b>C</b>	stationary	moving	moving
<b>D</b>	moving	moving	moving

27.

Two metal boxes containing air are standing in a room. Box X is on top of a heater. Box Y is on a bench. The boxes are left for a long time.



Which line in the table best describes the average speed of the molecules in the containers?

	box X	box Y
<b>A</b>	fast	zero
<b>B</b>	fast	slow
<b>C</b>	slow	fast
<b>D</b>	zero	fast

28.

A balloon is inflated in a cold room. When the room becomes much warmer, the balloon becomes larger.

How does the behaviour of the air molecules in the balloon explain this?

- A The molecules become larger.
- B The molecules evaporate.
- C The molecules move more quickly.
- D The molecules repel each other.

29.

Some water molecules escape from the surface of a lake.

Which name is given to this process?

- A boiling
- B convection
- C evaporation
- D radiation

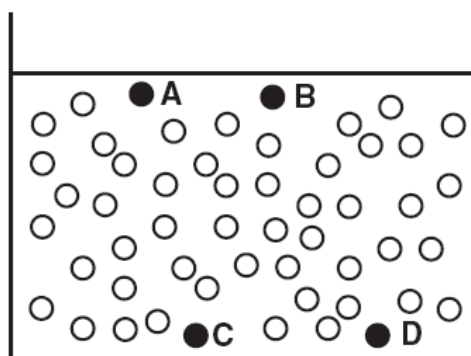
30.

The diagram represents molecules in a liquid.

**A** and **C** are molecules with a high amount of energy.

**B** and **D** are molecules with a low amount of energy.

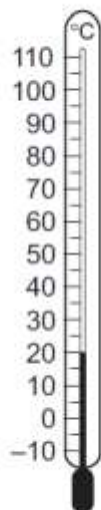
Which molecule is most likely to be leaving the liquid by evaporation?



## Topic9 – Thermal properties

1.

The diagram shows a thermometer calibrated in degrees Celsius.

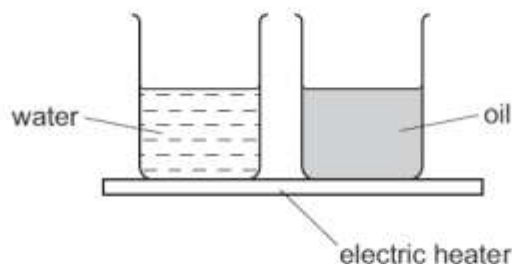


What are the values of the lower fixed point and of the upper fixed point on the Celsius scale?

	lower fixed point/ $^{\circ}\text{C}$	upper fixed point/ $^{\circ}\text{C}$
<b>A</b>	-10	110
<b>B</b>	0	20
<b>C</b>	0	100
<b>D</b>	20	100

2.

The diagram shows an electric heater being used to heat a beaker of water and an identical beaker of oil for several minutes.



The temperature of the water and the temperature of the oil increase constantly. The rise in temperature of the oil is much greater than that of the water.

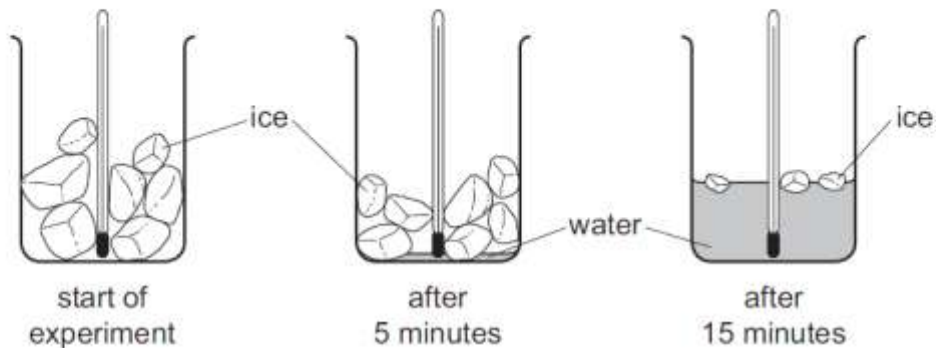
Why is this?

- A** The oil has a higher boiling point than water.
- B** The oil has a higher thermal capacity than water.
- C** The oil has a lower boiling point than water.
- D** The oil has a lower thermal capacity than water.

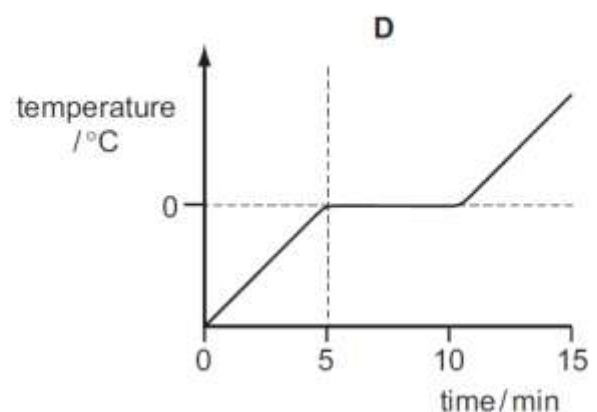
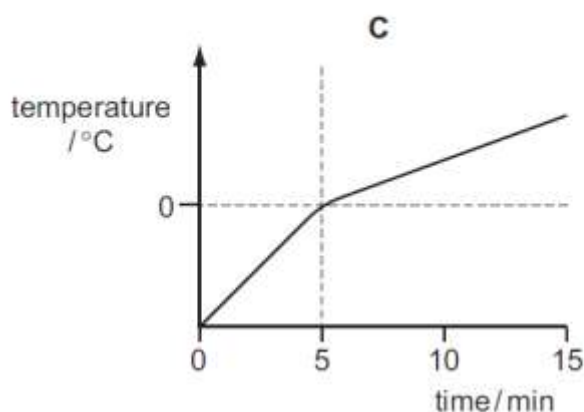
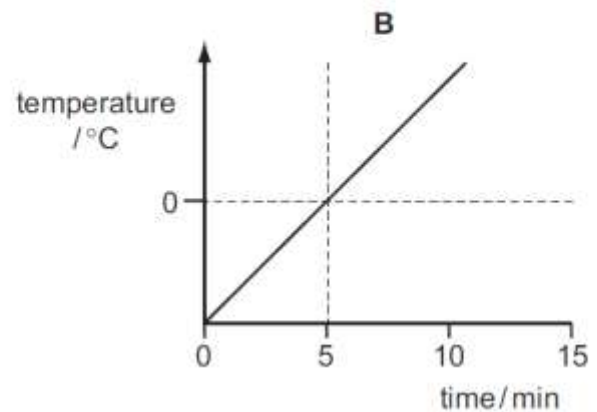
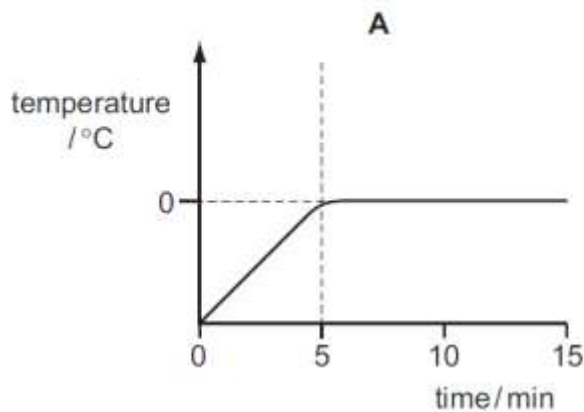
3.

A beaker containing ice and a thermometer is left in a warm room for 15 minutes.

No water is visible in the beaker until 5 minutes has passed. After 15 minutes some ice is still visible.



Which graph shows how the thermometer reading changes?



4.

An ice cube at a temperature of  $0^{\circ}\text{C}$  is put into a drink at a temperature of  $10^{\circ}\text{C}$ .

After a short time, some of the ice has melted and the drink has cooled to a temperature of  $8^{\circ}\text{C}$ .

What is the temperature of the remaining ice?

**A**  $0^{\circ}\text{C}$

**B**  $2^{\circ}\text{C}$

**C**  $4^{\circ}\text{C}$

**D**  $8^{\circ}\text{C}$

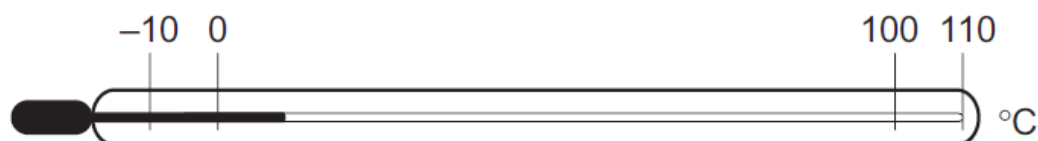
5.

To mark the lower fixed point of a Celsius scale on a thermometer, the thermometer should be placed in

- A pure alcohol.
- B pure distilled water.
- C pure melting ice.
- D pure mercury.

6.

A thermometer has a scale which starts at  $-10^{\circ}\text{C}$  and ends at  $110^{\circ}\text{C}$ .

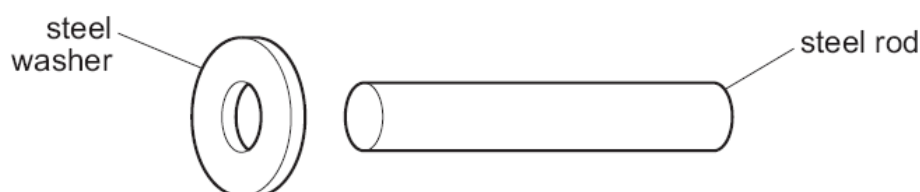


What is the value of the lower fixed point and of the upper fixed point of the scale?

	lower fixed point $/^{\circ}\text{C}$	upper fixed point $/^{\circ}\text{C}$
<b>A</b>	-10	100
<b>B</b>	-10	110
<b>C</b>	0	100
<b>D</b>	0	110

7.

An engineer wants to fix a steel washer on to a steel rod. The rod is just too big to fit into the hole of the washer.

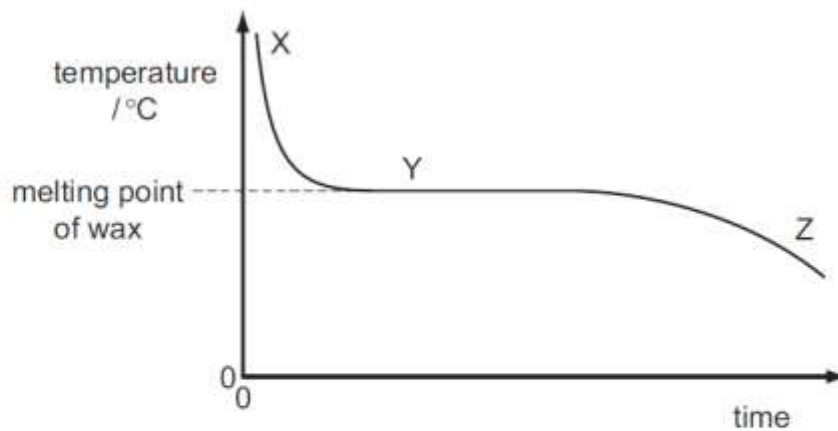


How can the engineer fit the washer on to the rod?

- A Cool the washer and put it over the rod.
- B Cool the washer and rod to the same temperature and push them together.
- C Heat the rod and then place it in the hole.
- D Heat the washer and then place it over the rod.

8.

A student carries out an experiment to find the melting point of wax. The graph shows how the temperature of the wax changes as it cools.



Which statement is correct?

- A At X the temperature drops more slowly than at Z.
- B At Y all the wax is solid.
- C At Y thermal energy is being given out by the wax.
- D At Z the wax molecules are not moving.

9.

To mark a temperature scale on a thermometer, standard temperatures known as fixed points are needed.

Which of these is a fixed point?

- A room temperature
- B the temperature inside a freezer
- C the temperature of pure melting ice
- D the temperature of pure warm water

10.

A small amount of air is introduced into the vacuum above the mercury in a mercury barometer tube.

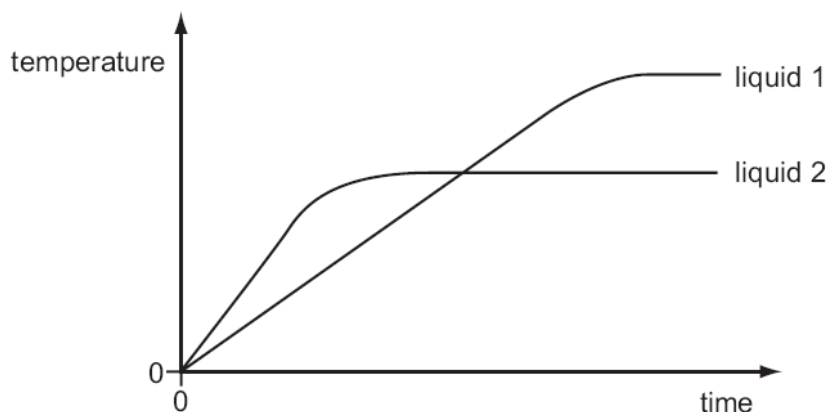
The mercury level goes down.

Why does the mercury level go down?

- A The air molecules cool the mercury and make it contract.
- B The air molecules decrease the pressure above the mercury.
- C The air molecules heat the mercury and make it expand.
- D The air molecules increase the pressure above the mercury.

11.

Equal masses of two different liquids are heated using the same heater. The graph shows how the temperature of each liquid changes with time.



What does the graph tell us about the liquids?

- A Liquid 1 has a higher melting point than liquid 2.
- B Liquid 1 has a higher boiling point than liquid 2.
- C Liquid 1 starts to melt sooner than liquid 2.
- D Liquid 1 starts to boil sooner than liquid 2.

12.

The thermometer in the diagram has no scale.



Where must the bulb be placed so that  $0^{\circ}\text{C}$  can be marked on the stem?

- A in boiling water
- B in cold water
- C in a freezer
- D in melting ice



13.

A sample of a solid is heated for 12 minutes and its temperature noted every minute.

The results are shown in the table.

time / min	0	1	2	3	4	5	6	7	8	9	10	11	12
temperature / °C	11.5	16.1	22.1	31.0	31.1	31.1	31.1	31.3	45.0	65.2	66.2	66.3	66.3

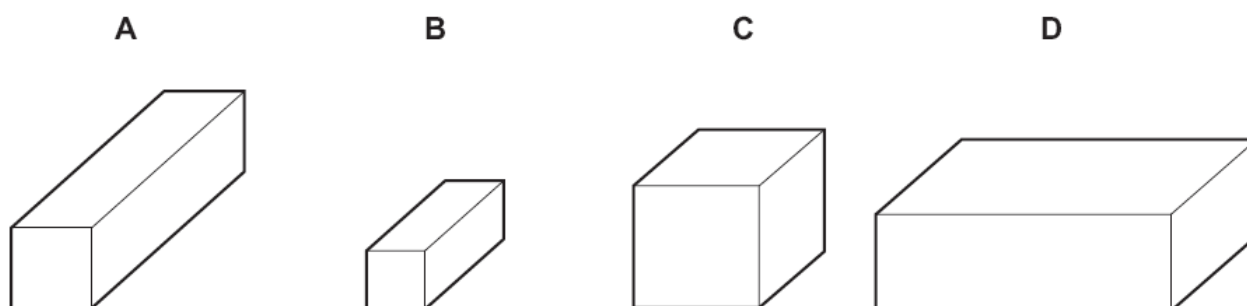
How should the sample be described at the end of the 12 minutes?

- A all solid
- B in the process of melting
- C all liquid
- D in the process of boiling

14.

The diagram shows four blocks of steel. The same quantity of heat is given to each block.

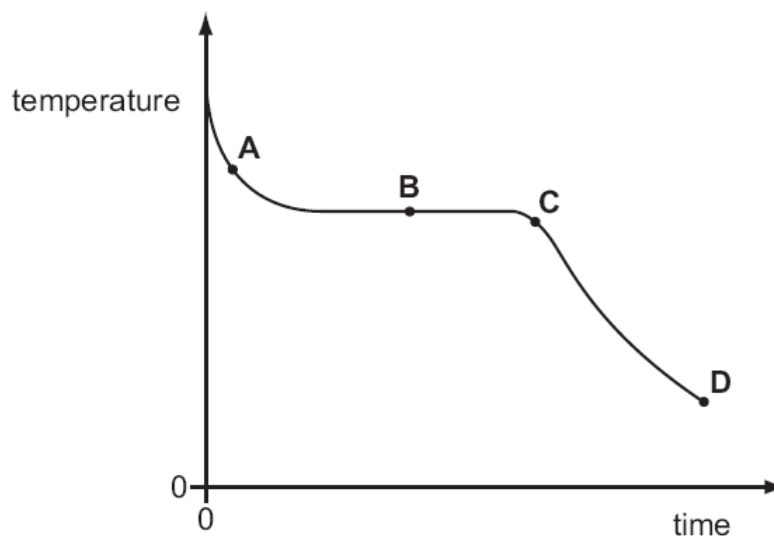
Which block shows the greatest rise in temperature?



15.

The graph shows how the temperature of hot liquid wax changes with time as the wax is allowed to cool.

At which labelled point on the graph are both liquid wax and solid wax present?



16.

The table lists the melting points and the boiling points of four different substances **A**, **B**, **C** and **D**.

Which substance is a gas at 25 °C?

substance	melting point/°C	boiling point/°C
<b>A</b>	–219	–183
<b>B</b>	–7	58
<b>C</b>	98	890
<b>D</b>	1083	2582

17.

1 kg of water and 1 kg of aluminium are heated to the same temperature and then allowed to cool in a room.

Why does the aluminium cool more quickly than the water?

- A** Aluminium contracts more than water.
- B** Aluminium does not evaporate but water does.
- C** Aluminium has a higher thermal capacity than water.
- D** Aluminium has a lower thermal capacity than water.

18.

A block of ice is heated until it has all melted. The water that is produced is then heated until it boils.

Which line in the table states what happens to the temperature of the ice while it is melting, and to the temperature of the water while it is boiling?

	temperature of ice while it is melting	temperature of water while it is boiling
<b>A</b>	increases	increases
<b>B</b>	increases	stays the same
<b>C</b>	stays the same	increases
<b>D</b>	stays the same	stays the same

19.

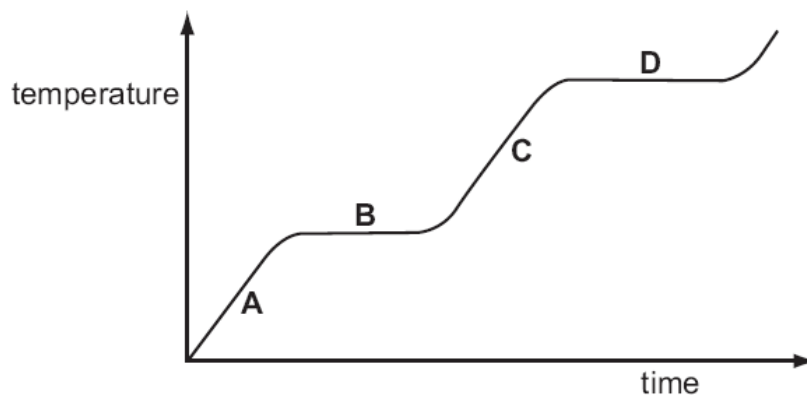
To mark the lower fixed point of a Celsius scale on a thermometer, the thermometer should be placed in

- A** pure alcohol.
- B** pure distilled water.
- C** pure melting ice.
- D** pure mercury.

20.

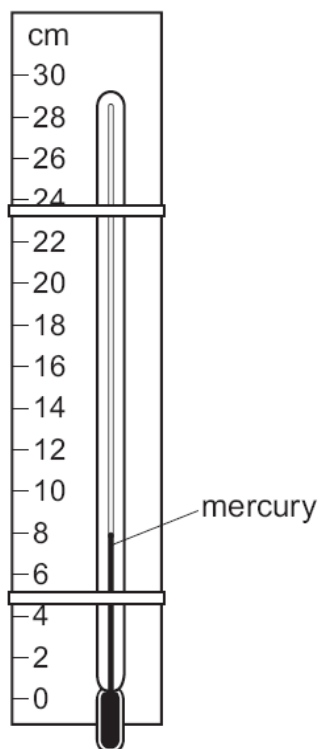
The graph shows the change in temperature of a material as it is heated.

Which part on the graph shows when the material is boiling?



21.

A thermometer with no scale is taped to a ruler as shown. When placed in steam, the mercury level rises to 22 cm. When placed in pure melting ice, the mercury level falls to 2 cm.



Which temperature is shown by the mercury level in the diagram?

- A** 6 °C                      **B** 8 °C                      **C** 30 °C                      **D** 40 °C

22.

To mark a temperature scale on a thermometer, fixed points are needed.

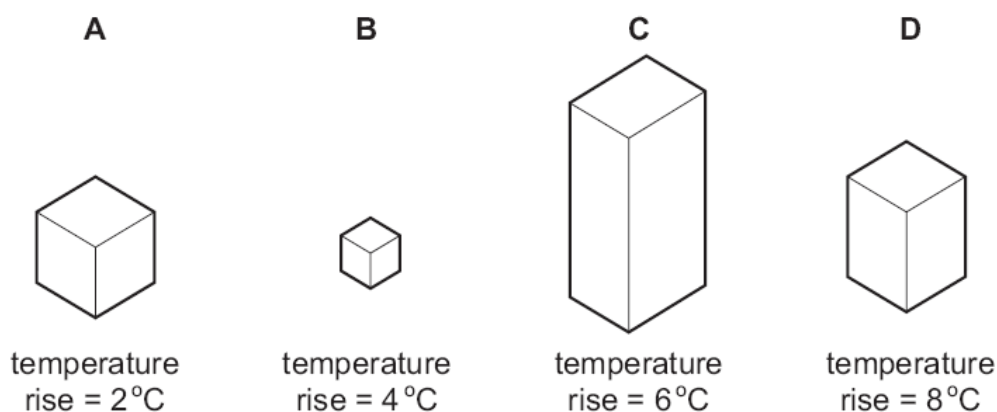
Which is a fixed point?

- A the bottom end of the thermometer tube
- B the top end of the thermometer tube
- C the temperature of pure melting ice
- D the temperature of pure warm water

23.

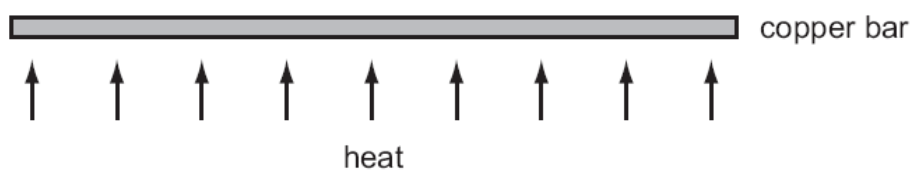
Four blocks, made of different materials, are each given the same quantity of internal (heat) energy.

Which block has the greatest thermal capacity?



24.

A long thin bar of copper is heated evenly along its length.



What happens to the bar?

- A It becomes lighter.
- B It becomes longer.
- C It becomes shorter.
- D It bends at the ends.

25.

A knife is being sharpened on a rotating sharpening-stone. A spark flies off and lands on the operator's hand. The spark is a very hot, very small piece of metal. The operator feels nothing.

What does this show about the piece of metal?

- A It has a high thermal capacity.
- B It has a low thermal capacity.
- C It is a good conductor of heat.
- D It is a poor conductor of heat.

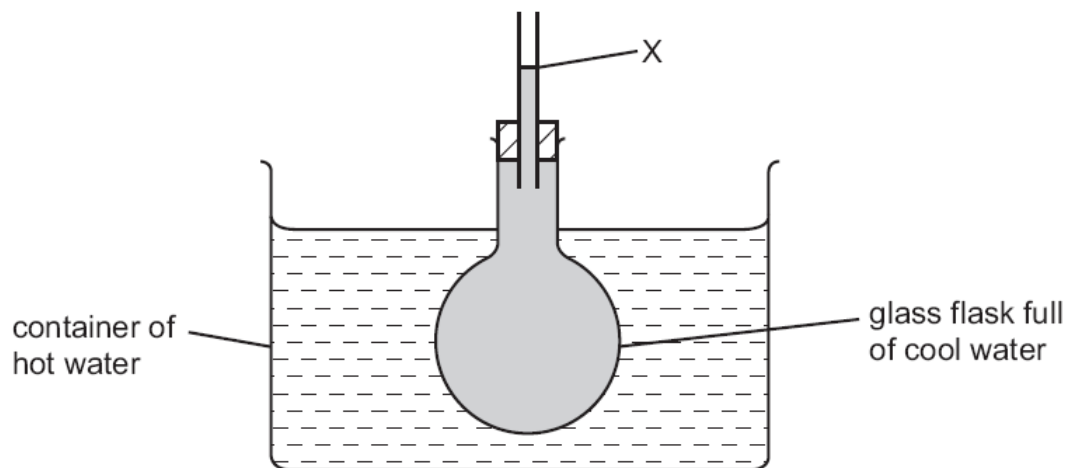
26.

Which substance is a liquid at a room temperature of 25°C?

substance	melting point/°C	boiling point/°C
A	-218	-183
B	-39	357
C	44	280
D	119	444

27.

A glass flask full of cool water is placed in a container of hot water.



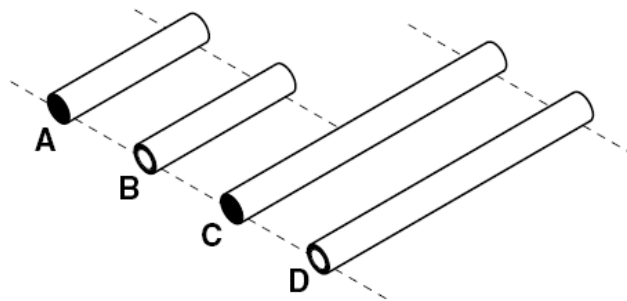
What will happen to the level of water at X as the cool water becomes warmer?

- A It will fall.
- B It will rise.
- C It will rise then fall.
- D It will stay the same.

28.

Two copper rods, **A** and **C**, and two copper tubes, **B** and **D**, have the same external diameter.

Which rod has the highest thermal capacity?



29.

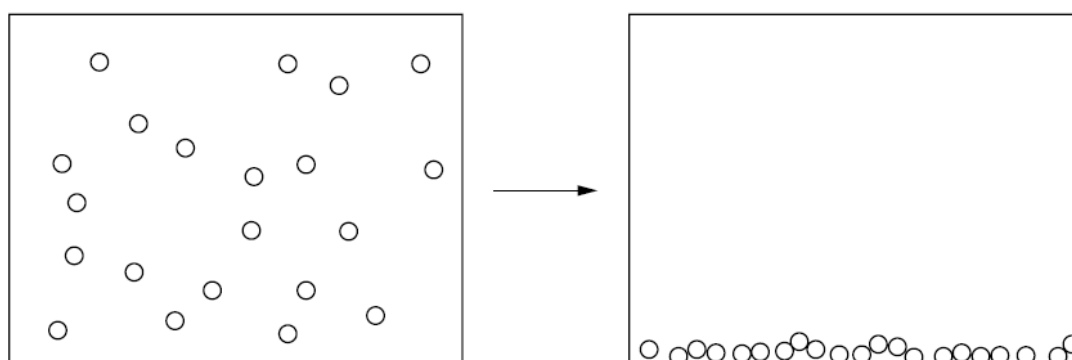
A mercury-in-glass thermometer is to be used to measure temperatures from 0 °C to 100 °C.

Why is mercury suitable?

- A Mercury expands when heated.
- B Mercury has a boiling point below 100 °C.
- C Mercury has a melting point above 0 °C.
- D Mercury is a poor conductor.

30.

The diagram shows how the atoms in a substance rearrange themselves during a change of state.

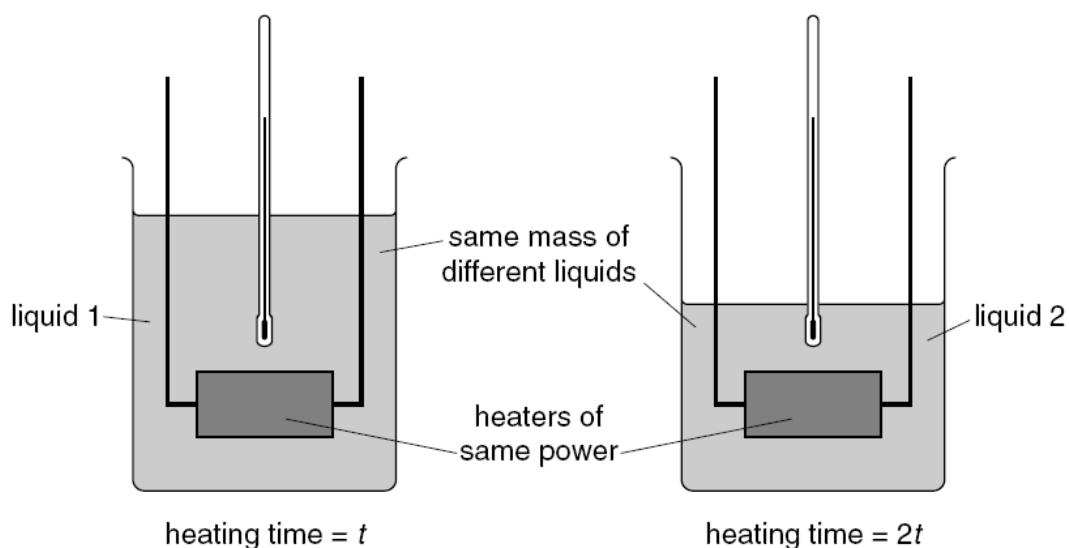


Which change of state is shown?

- A gas to liquid
- B liquid to gas
- C liquid to solid
- D solid to liquid

31.

Equal masses of two different liquids are put into identical beakers. They are heated from  $20^{\circ}\text{C}$  to  $30^{\circ}\text{C}$  by heaters of the same power. Liquid 2 takes twice as long to heat as liquid 1.



Which statement is correct?

- A Both liquids receive the same amount of energy.
- B Liquid 1 receives more energy than liquid 2.
- C The thermal capacity of liquid 1 is equal to the thermal capacity of liquid 2.
- D The thermal capacity of liquid 1 is less than the thermal capacity of liquid 2.

32.

The top of the mercury thread in a mercury-in-glass thermometer reaches point X at  $0^{\circ}\text{C}$  and point Z at  $100^{\circ}\text{C}$ .



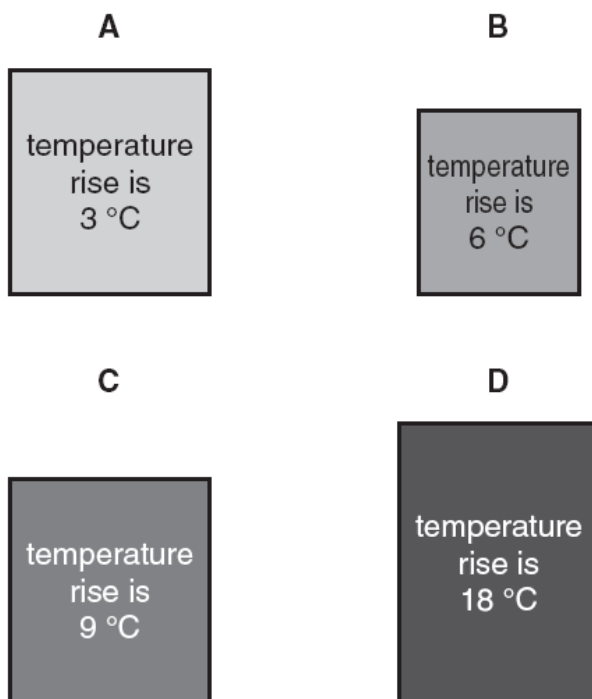
Where might it be at a temperature below the ice-point?

- A point W
- B point X
- C point Y
- D point Z

33.

The same quantity of heat energy is applied to four different blocks. The temperature rise produced is shown on each block.

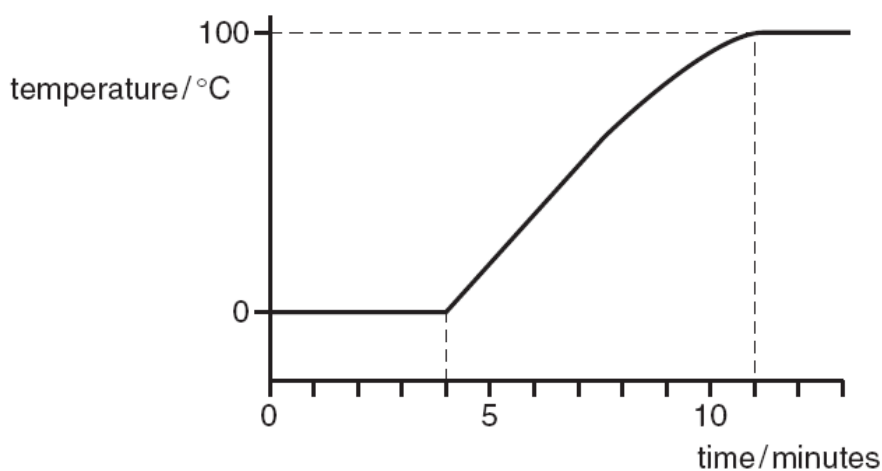
Which block has the highest thermal capacity?



34.

A block of ice is heated at a constant rate. Eventually the melted ice boils.

The graph shows how the temperature changes with time.



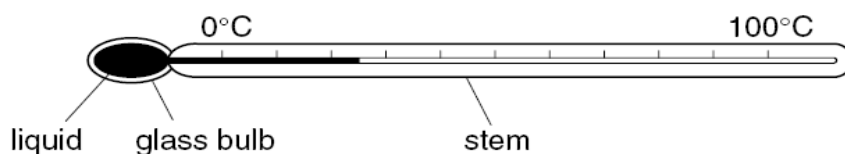
How many minutes did it take to melt all the ice?

- A** 4                      **B** 7                      **C** 11                      **D** 13



35.

The diagram shows a liquid-in-glass thermometer.



When the thermometer becomes hotter, the liquid moves further along the stem.

Why is this?

- A The glass contracts.
- B The glass expands.
- C The liquid contracts.
- D The liquid expands.

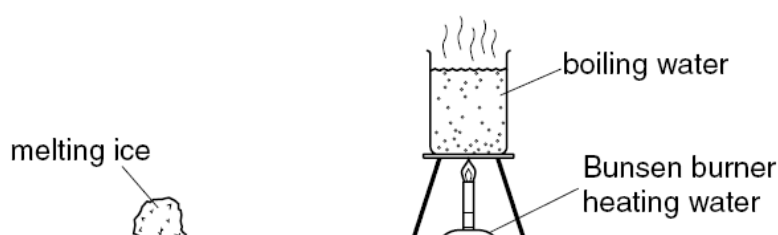
36.

What must expand in order to show the temperature rise in a mercury-in-glass thermometer?

- A the glass bulb
- B the glass stem
- C the mercury
- D the vacuum

37.

In an experiment, a piece of melting ice and a beaker of boiling water are in a laboratory which is at 20°C.



What is happening to the temperature of the melting ice and of the boiling water?

	temperature of the melting ice	temperature of the boiling water
A	constant	constant
B	constant	increasing
C	increasing	constant
D	increasing	increasing

**Topic 10 – Transfer of thermal energy**

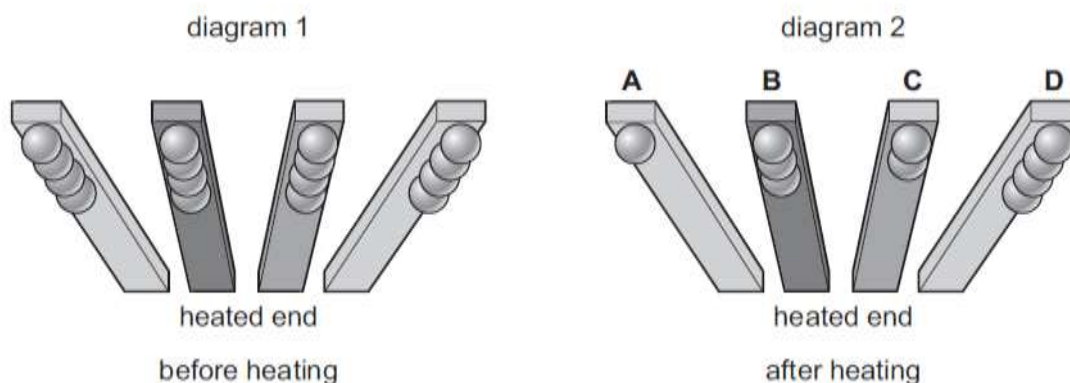
1.

An experiment is set up to find out which metal is the best conductor of heat.

Balls are stuck with wax to rods made from different metals, as shown in diagram 1.

The rods are heated at one end. Some of the balls fall off, leaving some as shown in diagram 2.

Which labelled metal is the best conductor of heat?



2.

Food is kept in a cool-box which uses two ice packs to keep it cool.

Where should the ice packs be placed to keep all the food as cool as possible?

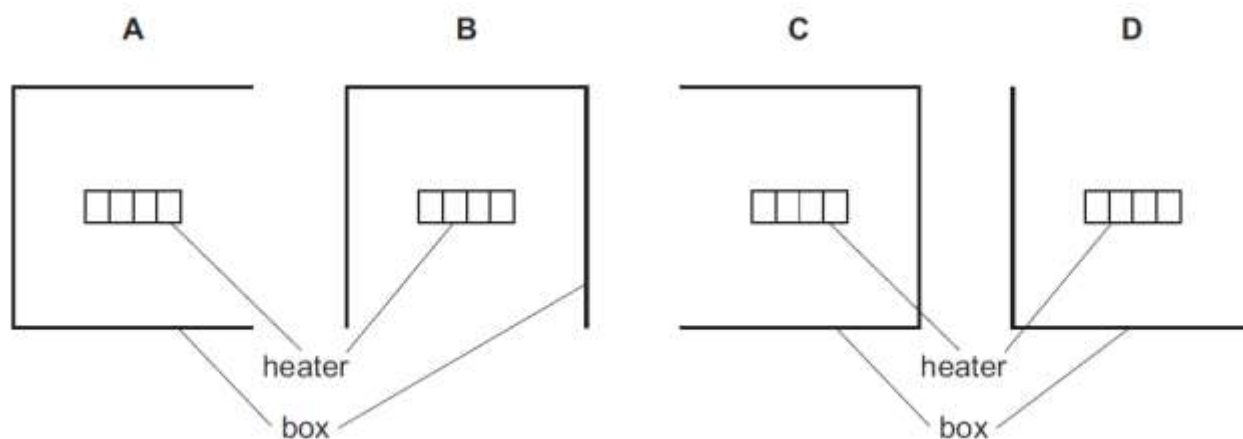
- A both at the bottom of the box
- B both at the top of the box
- C one at the front and one at the back of the box
- D one on the left and one on the right of the box

3.

An electric heater is placed inside a metal box which has one side open. The diagram shows four possible positions for the box.

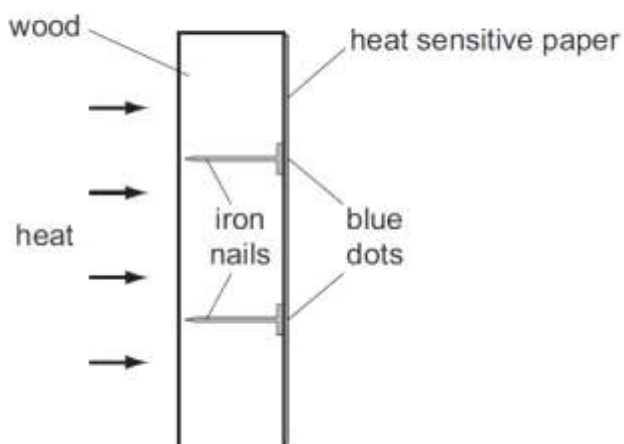
The heater is switched on for several minutes.

In which position does the box become the hottest?



4.

A piece of wood has some iron nails pushed through it. One side of the wood is covered with heat sensitive paper which turns from pink to blue when heated. The wood is heated as shown for a few minutes and blue dots appear on the heat sensitive paper where it touches the nails.

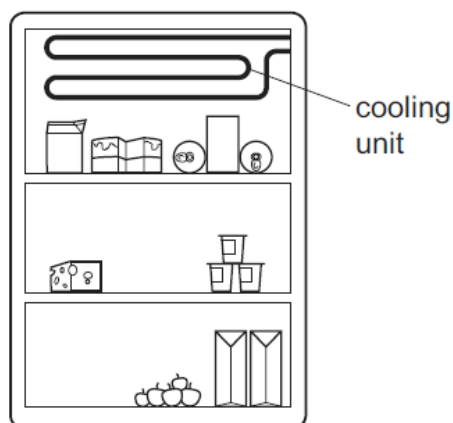


This experiment shows that, compared to wood, iron is a good

- A absorber of heat.
- B conductor of heat.
- C convector of heat.
- D emitter of heat.

5.

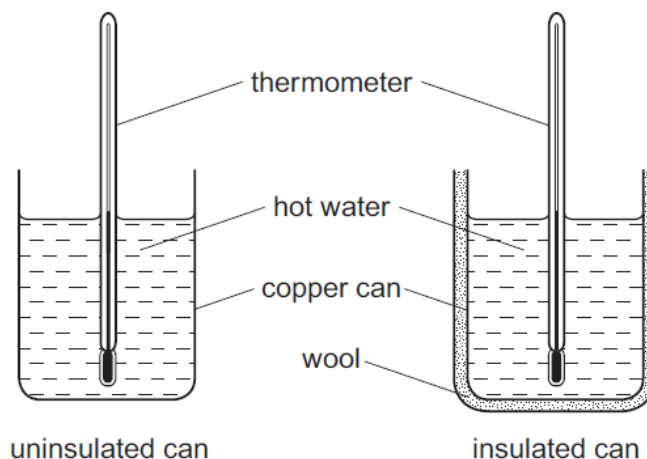
The diagram shows a cooling unit in a refrigerator.



Why is the cooling unit placed at the top?

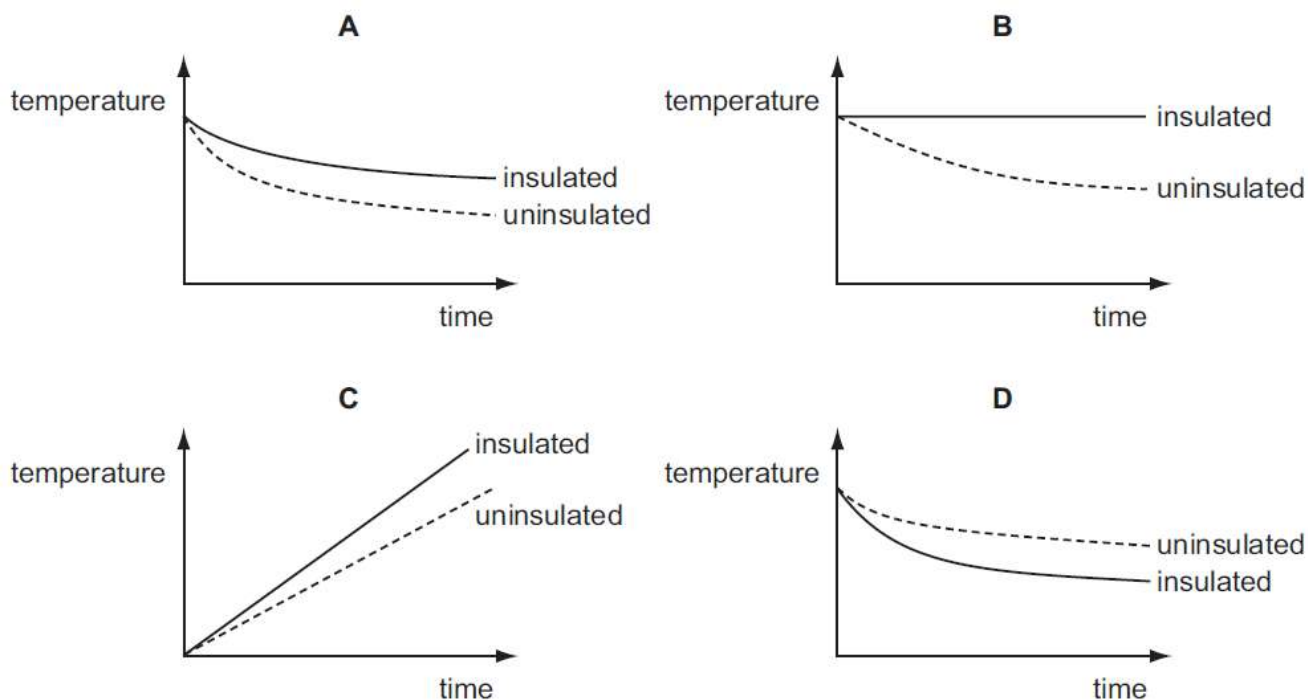
- A Cold air falls and warm air is displaced upwards.
- B Cold air is a bad conductor so heat is not conducted into the refrigerator.
- C Cold air is a good conductor so heat is conducted out of the refrigerator.
- D Cold air remains at the top and so prevents convection.

6. Two identical copper cans are filled with boiling water.



One can is insulated with wool. The temperature of the water in each can is taken every minute for several minutes. Graphs of the results are plotted.

Which graph shows the results obtained?



7. Hot liquid in a vacuum flask cools extremely slowly. This is because some methods of heat transfer cannot take place in a vacuum.

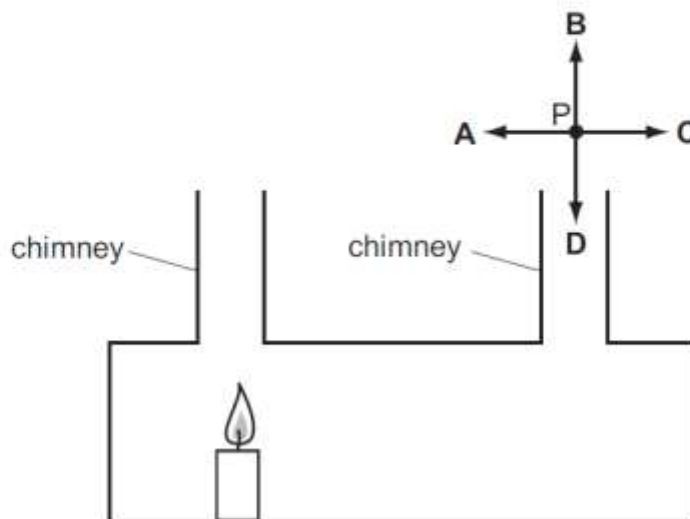
Which methods **cannot** take place in a vacuum?

- A conduction and convection only
- B conduction and radiation only
- C convection and radiation only
- D conduction, convection and radiation

8.

A teacher demonstrates convection currents using a box with two chimneys and a lighted candle. She holds a smoking taper at point P.

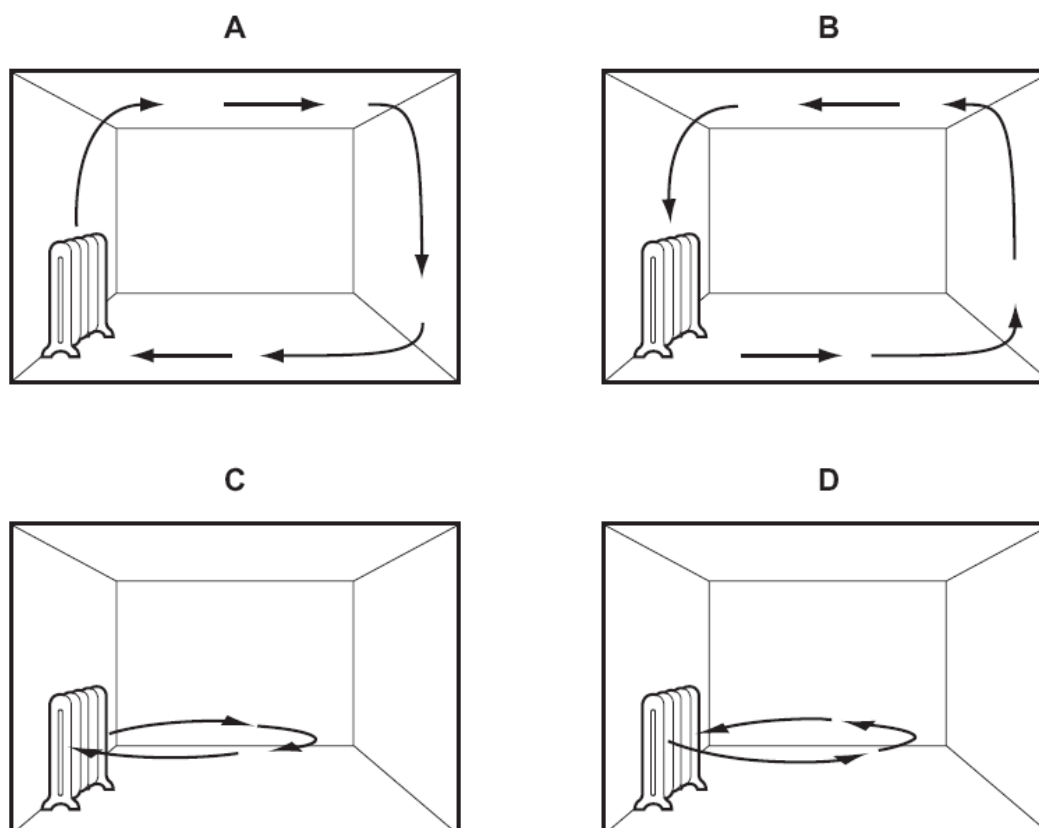
In which direction does the convection current cause the smoke to move?



9.

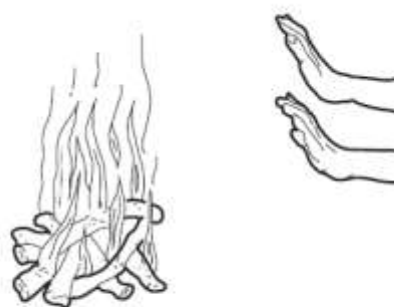
A heater is placed in a room.

Which diagram shows the movement of air as the room is heated?



10.

A student warms her hands near a fire.



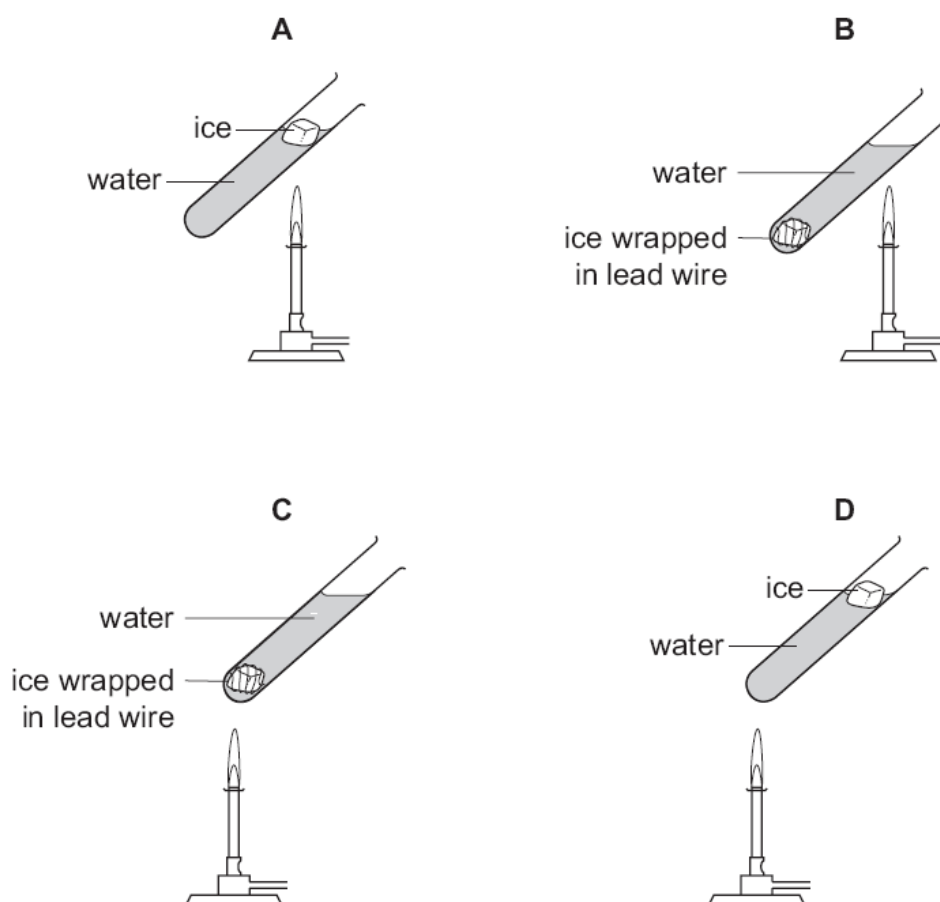
Which waves carry most heat to her hands and are these waves electromagnetic?

	waves	electromagnetic
<b>A</b>	infra-red	no
<b>B</b>	infra-red	yes
<b>C</b>	visible light	no
<b>D</b>	visible light	yes

11.

The diagrams show four identical pieces of ice that are heated in test-tubes of water.

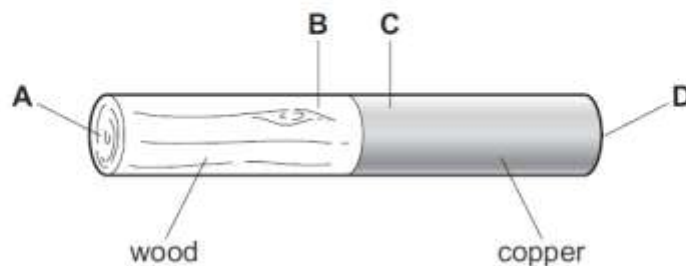
In which test-tube will the ice take the longest time to melt?



12.

A rod is made up of copper and wood joined together.

After the rod is heated at the join in the centre for about a minute, where would the lowest temperature be?



13.

The diagram shows a fire.

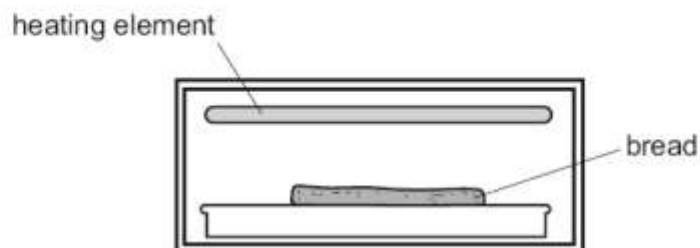


Why does the smoke rise above the fire?

- A Smoke evaporates more quickly at higher temperatures.
- B Smoke molecules diffuse more quickly at higher temperatures.
- C The density of the air is lower at higher temperatures.
- D The pressure of the air is greater at higher temperatures.

14.

Bread can be cooked by placing it below, but not touching, a heating element.



Which process transfers thermal energy from the heating element to the bread?

- A conduction
- B convection
- C insulation
- D radiation

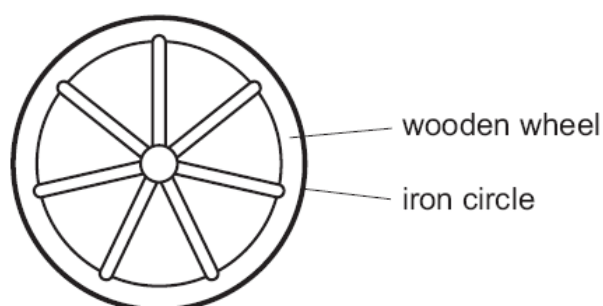
15.

Which statement refers to convection?

- A It does not involve energy transfer.
- B It is the transfer of heat energy without the movement of particles.
- C It only occurs in liquids or gases.
- D It only occurs in solids.

16.

A wooden wheel can be strengthened by putting a tight circle of iron around it.

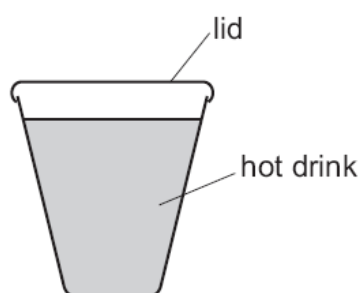


Which action would make it easier to fit the circle over the wood?

- A cooling the iron circle
- B heating the iron circle
- C heating the wooden wheel
- D heating the wooden wheel and cooling the iron circle

17.

A cup with a lid contains a hot drink.



When the lid is removed, the rate of heat loss from the drink increases.

What causes this?

- A convection only
- B evaporation only
- C both convection and evaporation
- D neither convection nor evaporation



18.

Which line in the table is correct about conduction and convection?

	conduction	convection
<b>A</b>	can happen in a solid	can happen in a solid
<b>B</b>	can happen in a solid	only happens in fluids
<b>C</b>	only happens in fluids	can happen in a solid
<b>D</b>	only happens in fluids	only happens in fluids

19.

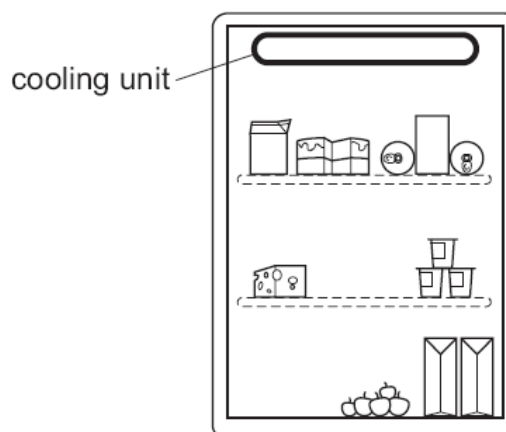
A beaker of water is heated at its base.

Why does the water at the base rise?

- A** It contracts and becomes less dense.
- B** It contracts and becomes more dense.
- C** It expands and becomes less dense.
- D** It expands and becomes more dense.

20.

The diagram shows a refrigerator. The cooling unit is placed at the top. The cooling unit cools the air near it.

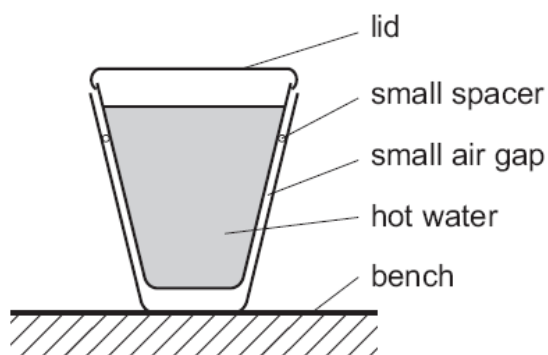


What happens to the density of this air as it cools and how does it move?

	density of the air	movement of the air
<b>A</b>	decreases	moves down
<b>B</b>	decreases	stays where it is
<b>C</b>	increases	moves down
<b>D</b>	increases	stays where it is

21.

Two plastic cups are placed one inside the other. Hot water is poured into the inner cup and a lid is put on top as shown.

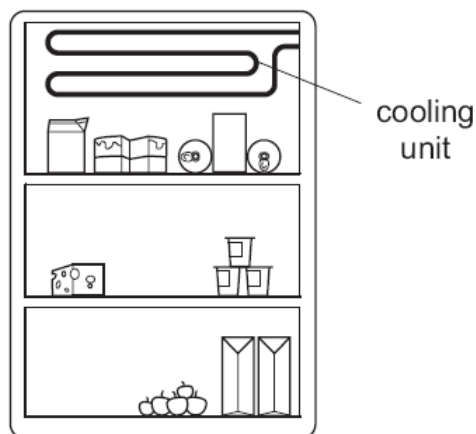


Which statement is correct?

- A Heat loss by radiation is prevented by the small air gap.
- B No heat passes through the sides of either cup.
- C The bench is heated by convection from the bottom of the outer cup.
- D The lid is used to reduce heat loss by convection.

22.

The diagram shows a cooling unit in a refrigerator.

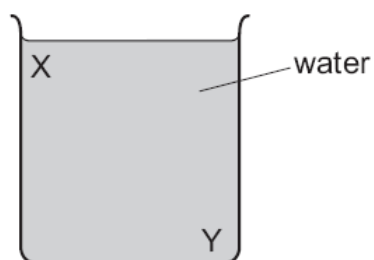


Why is the cooling unit placed at the top?

- A Cold air falls and warm air is displaced upwards.
- B Cold air is a bad conductor so heat is not conducted into the refrigerator.
- C Cold air is a good conductor so heat is conducted out of the refrigerator.
- D Cold air stops at the top and so prevents convection.

23.

A beaker contains water at room temperature.

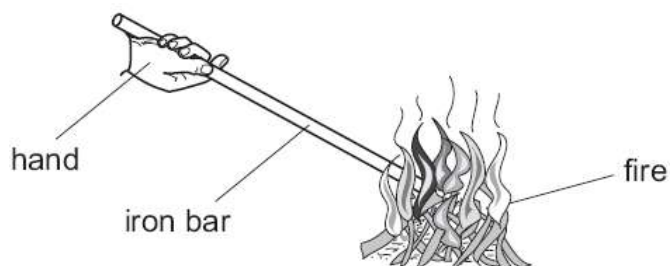


How could a convection current be set up in the water?

- A cool the water at X
- B cool the water at Y
- C stir the water at X
- D stir the water at Y

24.

An iron bar is held with one end in a fire. The other end soon becomes too hot to hold.



How has the heat travelled along the iron bar?

- A by conduction
- B by convection
- C by expansion
- D by radiation

25.

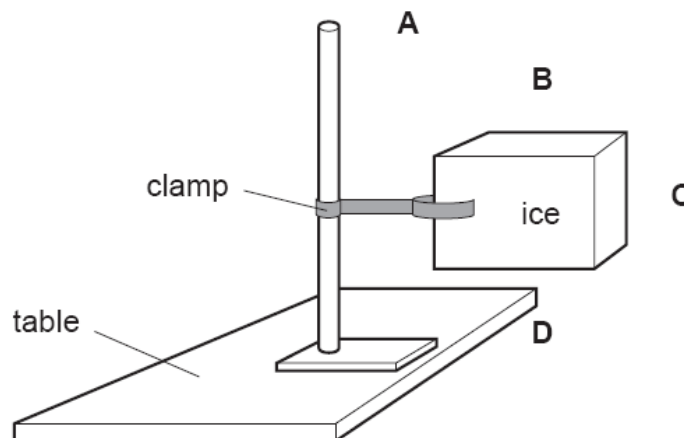
How does heat from the Sun reach the Earth?

- A conduction only
- B convection only
- C radiation only
- D conduction, convection and radiation

26.

The diagram shows a block of ice placed in a warm room.

At which point is the temperature the **lowest**?

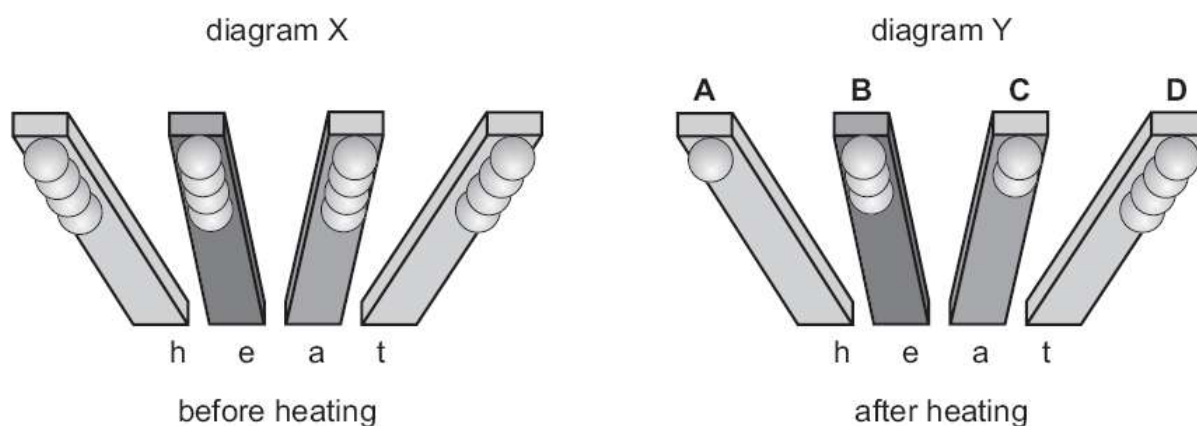


27.

An experiment is set up to find out which metal is the best conductor of heat. Balls are stuck with wax to rods made from different metals, as shown in diagram X.

The rods are heated at one end. Some of the balls fall off, leaving some as shown in diagram Y.

Which labelled metal is the best conductor of heat?



28.

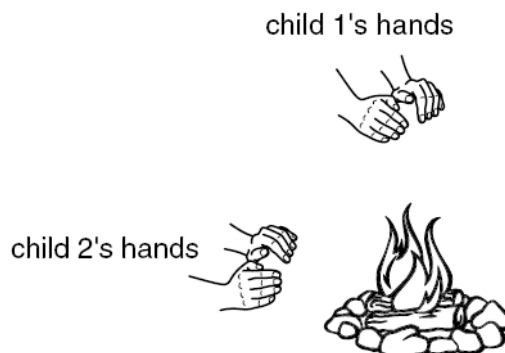
There is a vacuum between the double walls of a vacuum flask.

Which types of heat transfer are reduced by the vacuum?

- A conduction and convection
- B conduction and radiation
- C convection and radiation
- D conduction, convection and radiation

29.

On a cold night, two children sit next to a camp fire to warm their hands. Their hands are the same distance from the fire. Child 1 holds his hands over the fire and child 2 holds her hands in front of the fire.



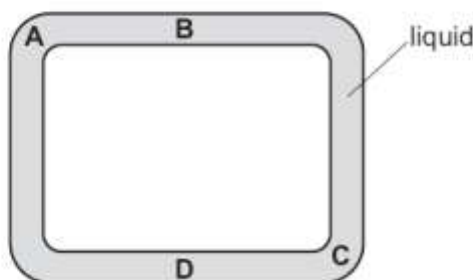
How does the heat from the fire reach each child's hands?

	child 1	child 2
<b>A</b>	convection only	radiation only
<b>B</b>	convection and radiation	radiation only
<b>C</b>	radiation only	convection and radiation
<b>D</b>	radiation only	convection only

30.

A heating element is positioned in a narrow sealed tube of liquid.

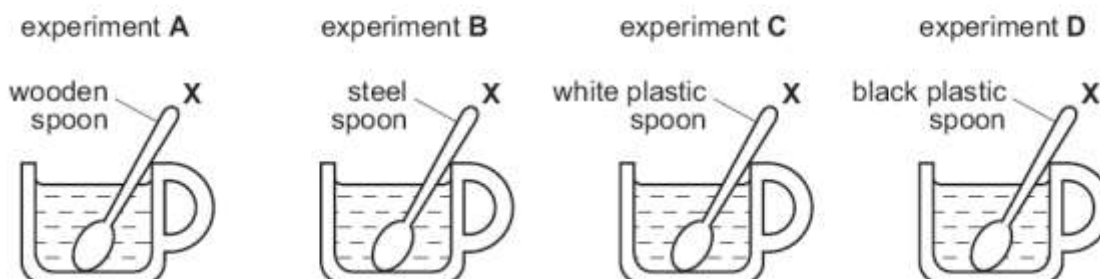
What would be the best place to position the heating element in order to obtain the best circulation of the liquid through the tube?



31.

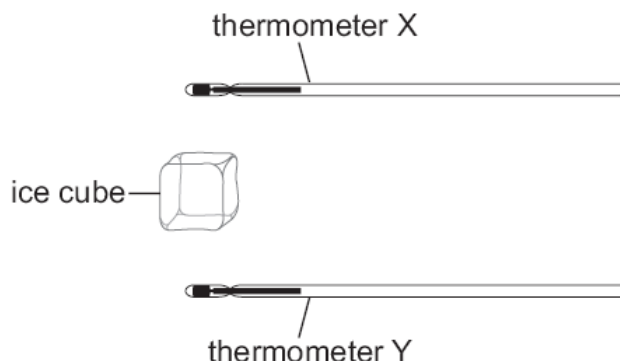
Spoons made of different materials were placed in four cups of coffee poured from the same jug.

Which spoon will be hottest to touch at end X?



32.

Thermometer X is held above an ice cube and thermometer Y is held the same distance below the ice cube. After several minutes, the reading on one thermometer changes. The ice cube does not melt.



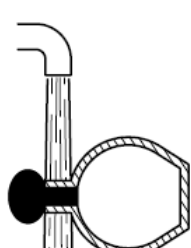
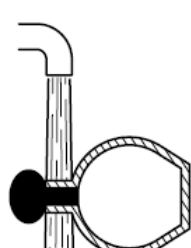
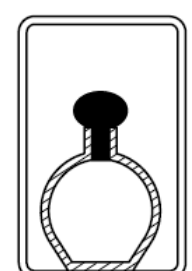
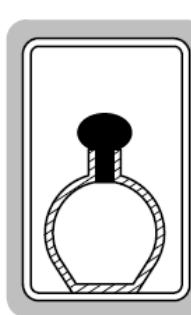
Which thermometer reading changes and why?

	thermometer	reason
<b>A</b>	X	cool air rises from the ice cube
<b>B</b>	X	warm air rises from the ice cube
<b>C</b>	Y	cool air falls from the ice cube
<b>D</b>	Y	warm air falls from the ice cube

33.

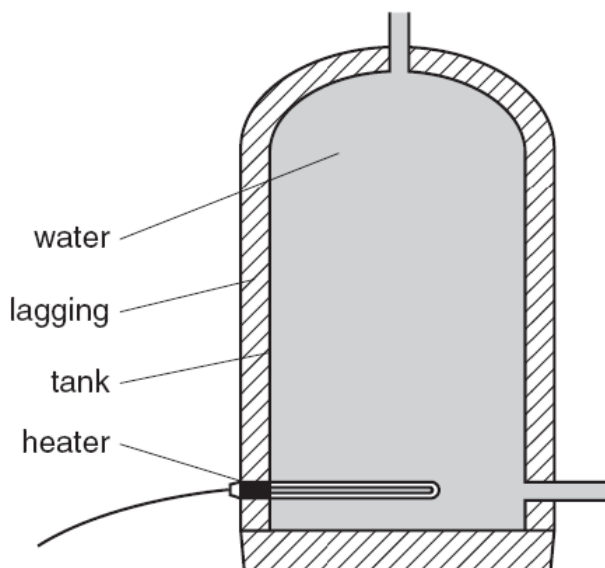
The glass stopper in the neck of a glass bottle is too tight to come out.

Which diagram shows the best way to loosen the stopper?

<b>A</b>	<b>B</b>	<b>C</b>	<b>D</b>
			
in a stream of cold water for a short time	in a stream of hot water for a short time	inside a warm oven for a long time	inside a refrigerator for a long time

34.

The diagram shows a heater used to heat a tank of cold water.



What is the main process by which heat moves through the water?

- A conduction
- B convection
- C evaporation
- D radiation

35.

A person holds a glass beaker in one hand and fills it quickly with hot water. It takes several seconds before his hand starts to feel the heat.

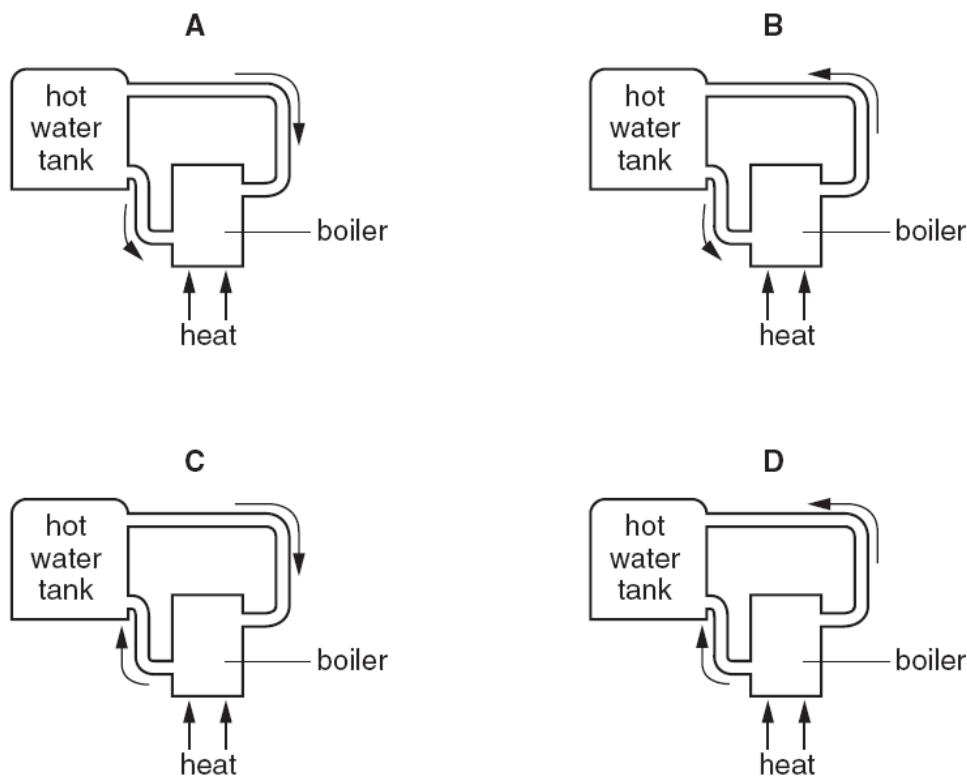
Why is there this delay?

- A Glass is a poor conductor of heat.
- B Glass is a good conductor of heat.
- C Water is a poor conductor of heat.
- D Water is a good conductor of heat.

36.

The diagrams show part of a water-heating system which is working by convection.

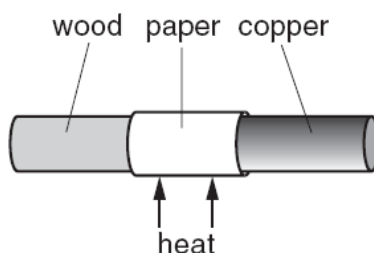
Which diagram shows the most likely flow of water in the system?



37.

A bar made of half wood and half copper has a piece of paper wrapped tightly round it.

The bar is heated strongly at the centre for a short time, and the paper goes brown on one side only.



Which side goes brown, and what does this show about wood and copper?

	brown side	wood	copper
<b>A</b>	copper	conductor	insulator
<b>B</b>	copper	insulator	conductor
<b>C</b>	wood	conductor	insulator
<b>D</b>	wood	insulator	conductor



**Topic 11 – General wave properties – Water waves**

1.

Water waves can be used to show reflection, refraction and diffraction.

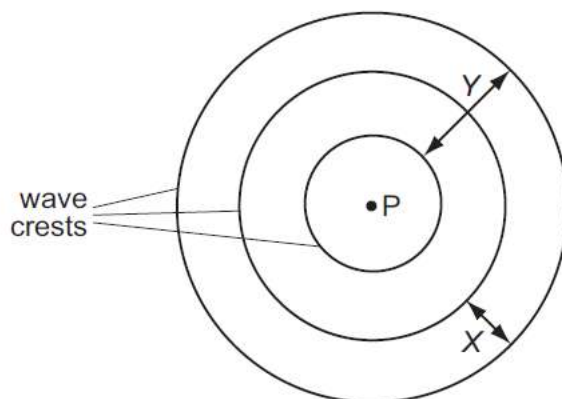
For each of these, which row shows whether or not the speed of the water waves changes?

	reflection	refraction	diffraction
<b>A</b>	no	no	yes
<b>B</b>	no	yes	no
<b>C</b>	yes	no	no
<b>D</b>	yes	yes	yes

2.

A vertical stick is dipped up and down in water at P.

In two seconds, three wave crests are produced on the surface of the water.



Which statement is correct?

- A Distance X is the amplitude of the waves.
- B Distance Y is the wavelength of the waves.
- C Each circle represents a wavefront.
- D The frequency of the waves is 3 Hz.

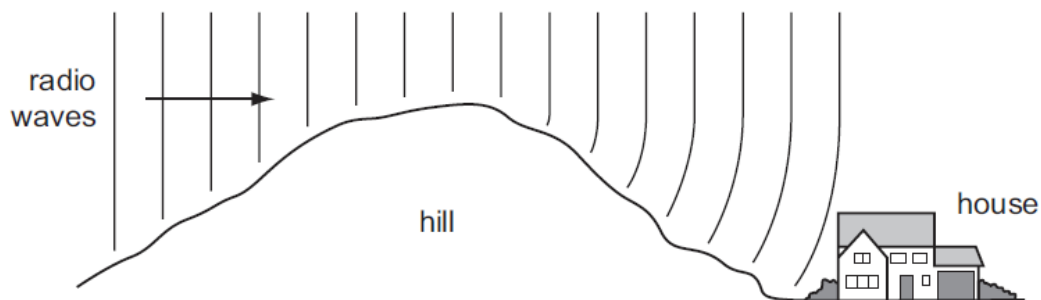
3.

Which of these waves is longitudinal?

- A infra-red
- B radio
- C sound
- D water

4.

Radio waves are received at a house at the bottom of a hill.



The waves reach the house because the hill has caused them to be

- A diffracted.
- B radiated.
- C reflected.
- D refracted.

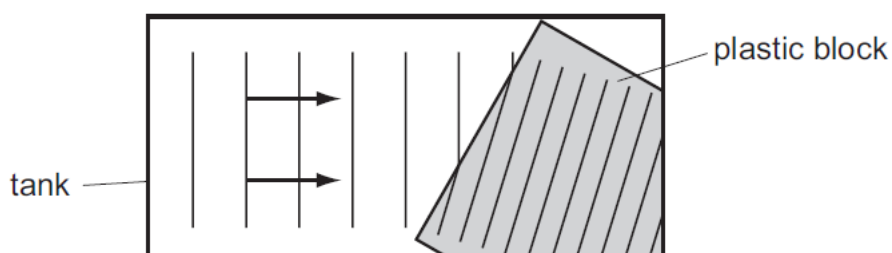
5.

Which group contains only transverse waves?

- A infra-red waves, light waves, sound waves
- B infra-red waves, light waves, ultra-violet waves
- C infra-red waves, ultra-violet waves, sound waves
- D light waves, sound waves, ultra-violet waves

6.

Water waves in a tank pass over a thin plastic block as shown.

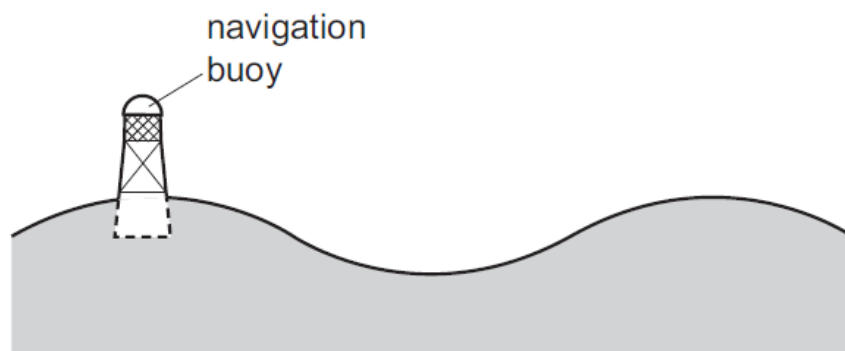


What happens to the waves as they reach the plastic block?

- A They are diffracted because they slow down.
- B They are diffracted because they speed up.
- C They are refracted because they slow down.
- D They are refracted because they speed up.

7.

A navigation buoy floating on the sea oscillates up and down as a wave passes.



In exactly two minutes, six complete wavelengths pass the buoy.

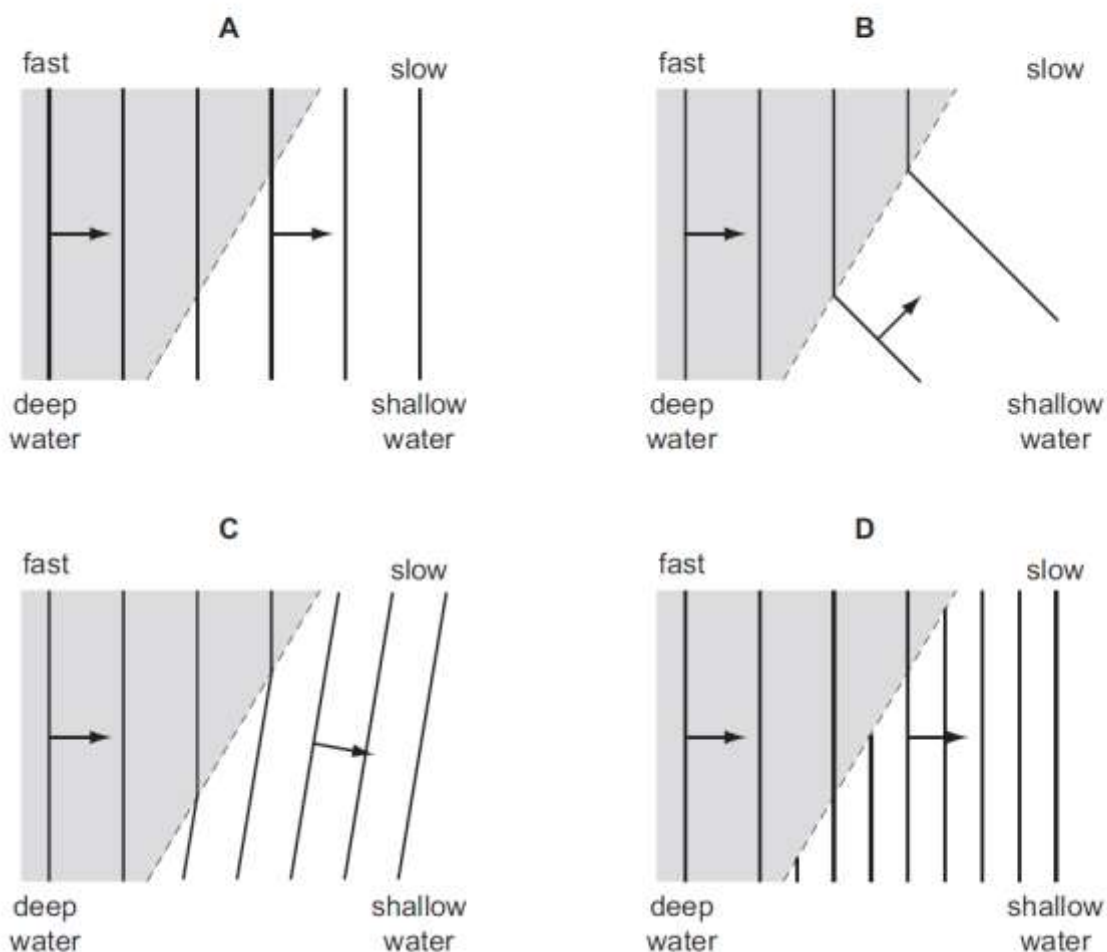
What is the frequency of the waves?

- A** 0.050 Hz      **B** 0.33 Hz      **C** 3.0 Hz      **D** 20 Hz

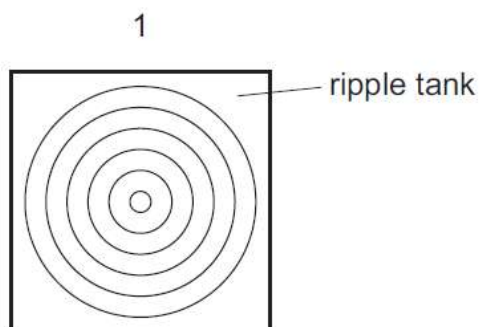
8.

The diagrams show water waves that move more slowly after passing into shallow water at the broken line.

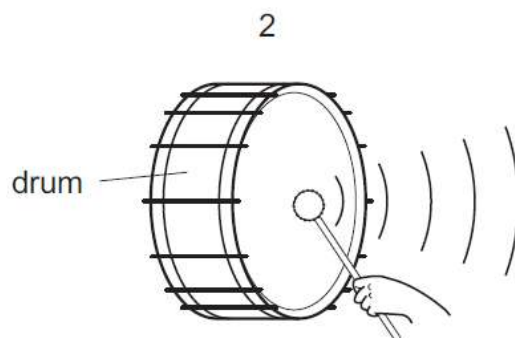
Which diagram shows what happens to the waves?



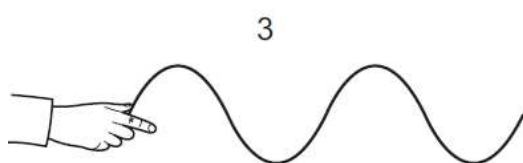
9. The diagrams show examples of wave motion.



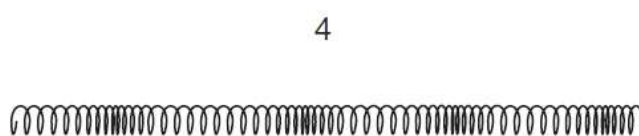
waves on water



waves in air



waves on a rope



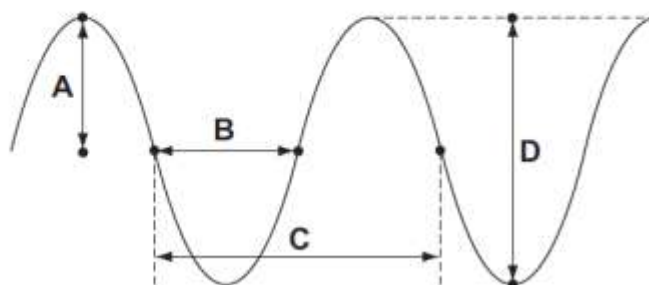
waves in a spring  
(as shown)

Which are longitudinal waves?

- A 1 only
- B 1, 2 and 4
- C 2 and 3 only
- D 2 and 4 only

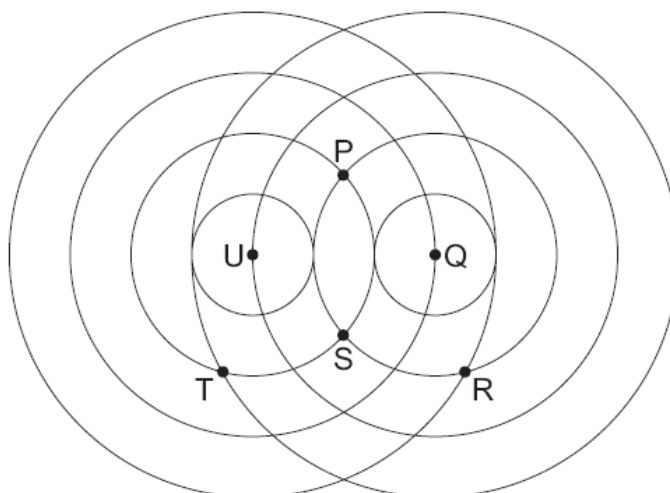
10. The drawing shows a wave.

Which labelled distance is the wavelength?



11.?

Two sets of water waves overlap as shown in the diagram.

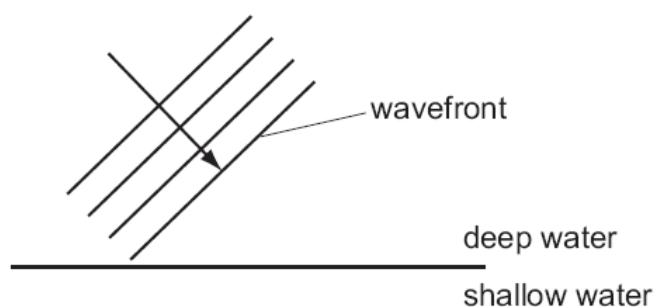


From which two points are the sets of waves coming?

- A** P and S      **B** T and R      **C** Q and T      **D** U and Q

12.?

The diagram represents water waves about to move into shallow water from deep water.



Which property of the waves remains the same after the waves move into shallow water?

- A** frequency  
**B** speed  
**C** wavefront direction  
**D** wavelength

13.?

Water waves are reflected at a plane surface.

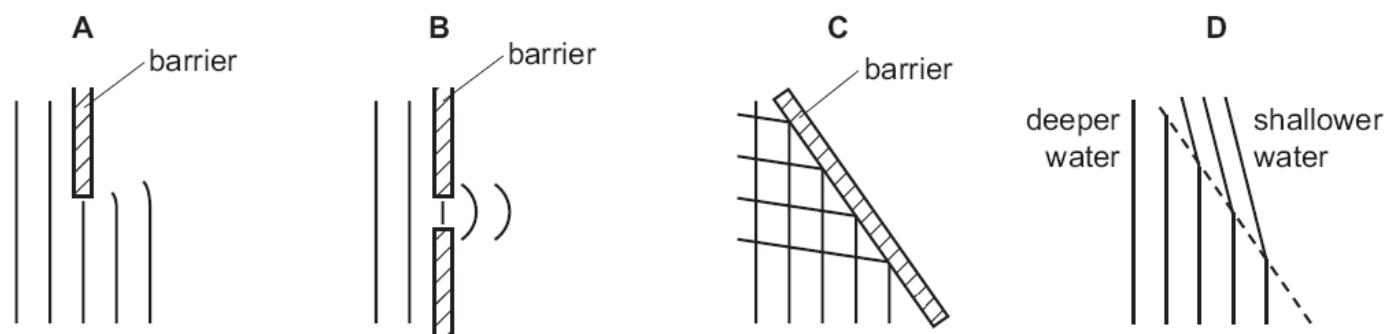
Which property of the waves is changed by the reflection?

- A** direction  
**B** frequency  
**C** speed  
**D** wavelength

14.

21 The diagrams represent water waves in a tank.

Which diagram represents waves that change speed?



15.?

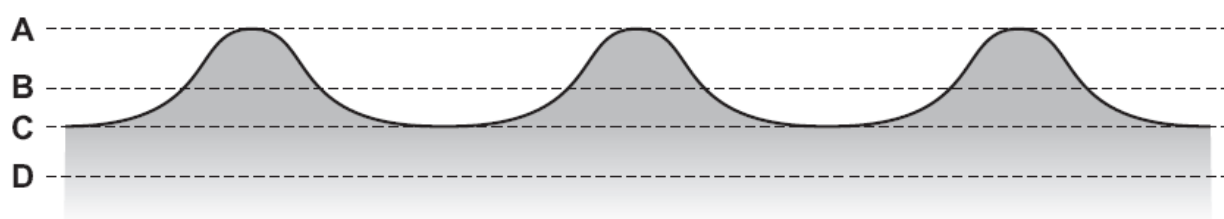
Which line gives an example of a longitudinal wave and describes its vibrations?

	example of a longitudinal wave	vibrations
<b>A</b>	light wave	at right angles to the direction the wave travels
<b>B</b>	light wave	in the same direction as the wave travels
<b>C</b>	sound wave	at right angles to the direction the wave travels
<b>D</b>	sound wave	in the same direction as the wave travels

16.?

The diagram shows a section through a series of waves on water.

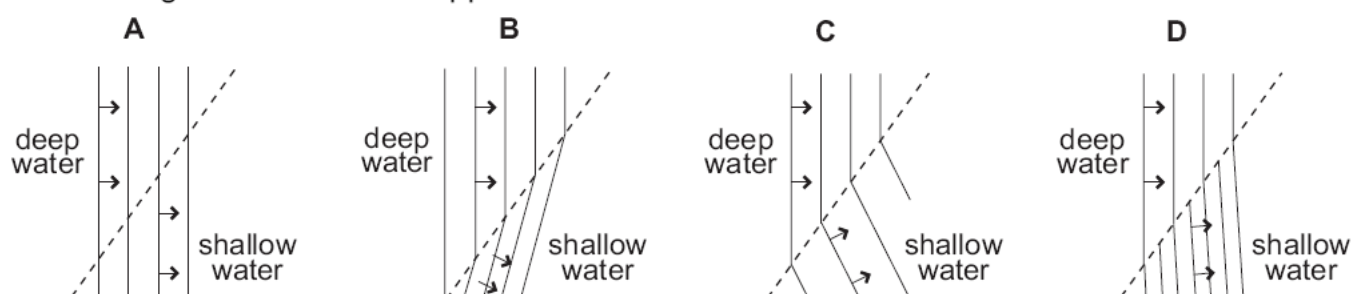
Which dotted line shows the position of the still water surface after the waves have passed?



17.?

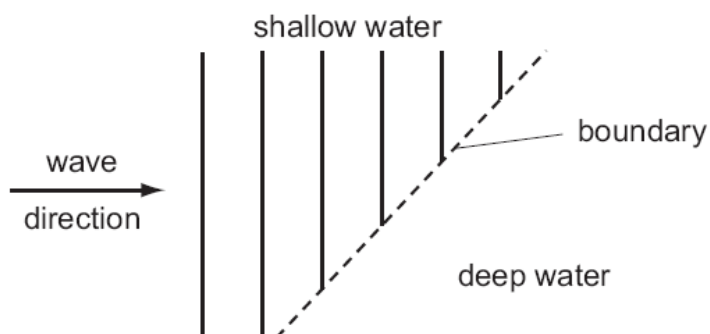
Waves move from deep water to shallow water where they are slower.

Which diagram shows what happens to the waves?

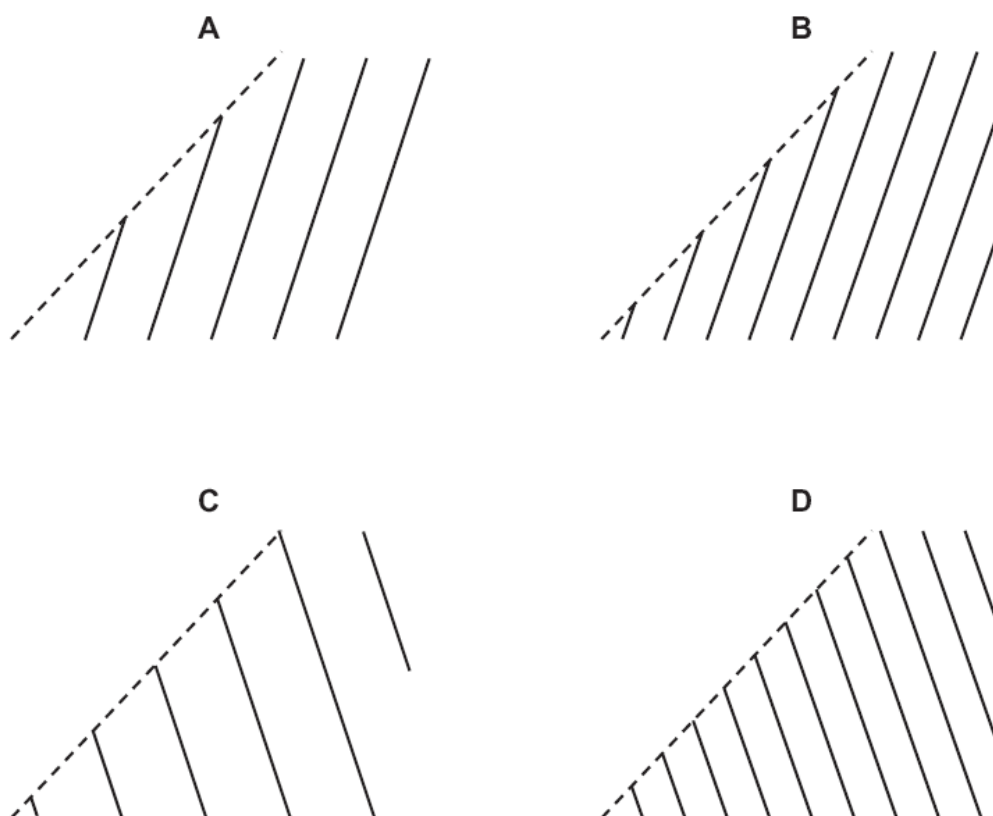


18.?

Plane water waves travel from a shallow region into a deeper region. They travel more quickly in the deeper water.



Which diagram shows the wave pattern in the deeper water?



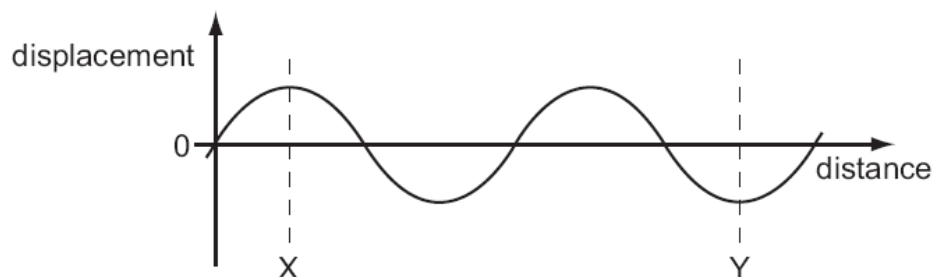
19.?

Which is the best description of the speed of a water wave?

- A the distance between one wave crest and the next
- B the distance between the crest of a wave and a trough
- C the distance that a particle of water moves up and down in one second
- D the distance that a wavefront moves along the surface in one second

20.?

The diagram shows a wave.

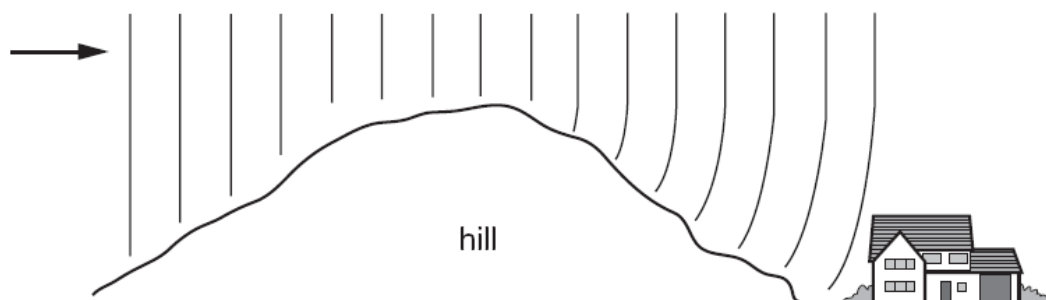


How many wavelengths are there between X and Y?

- A  $\frac{2}{3}$                       B 1                      C  $1\frac{1}{2}$                       D 3

21.?

Radio waves are received at a house at the bottom of a hill.



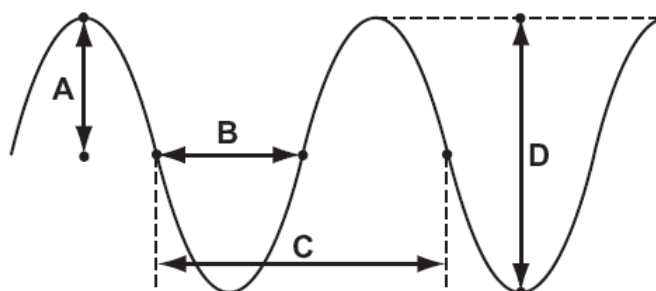
The waves reach the house because the hill has caused them to be

- A diffracted.  
 B radiated.  
 C reflected.  
 D refracted.

22.

The drawing shows a wave.

Which labelled distance is the wavelength?





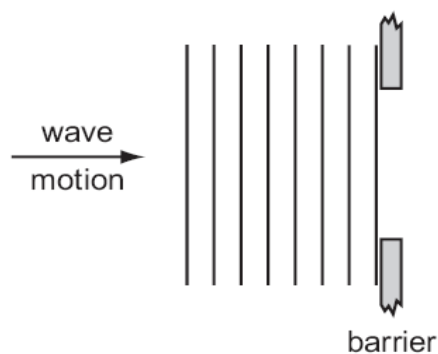
23.

Which of these waves is longitudinal?

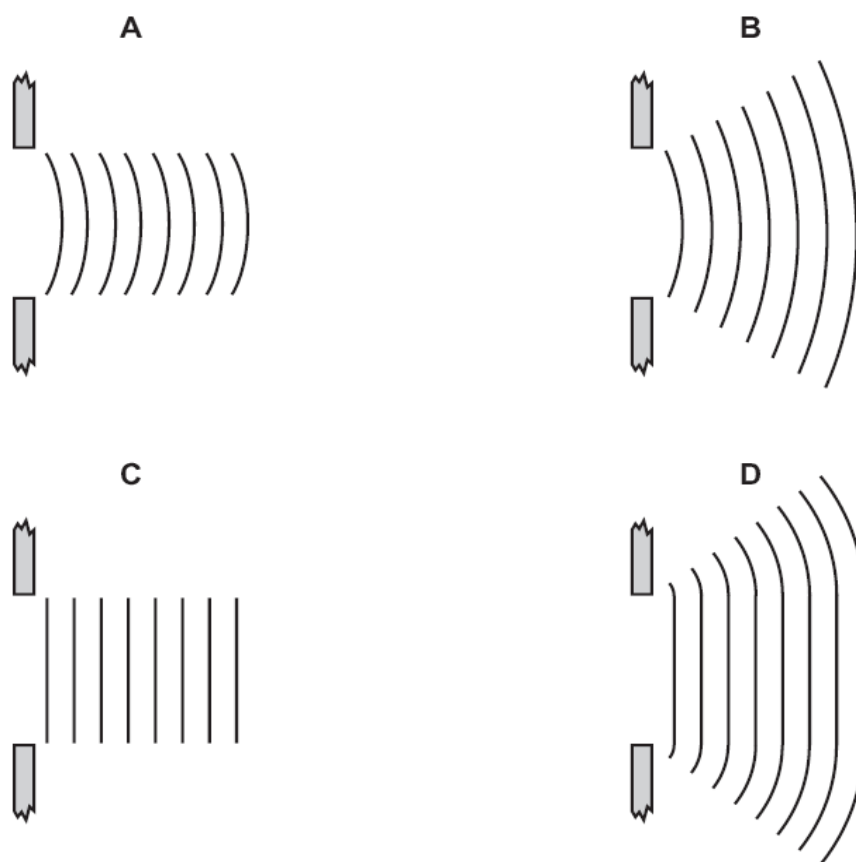
- A light waves
- B sound waves
- C water waves
- D X-ray waves

24.?

In a ripple tank experiment, plane water-waves meet a straight barrier with a wide gap in it.



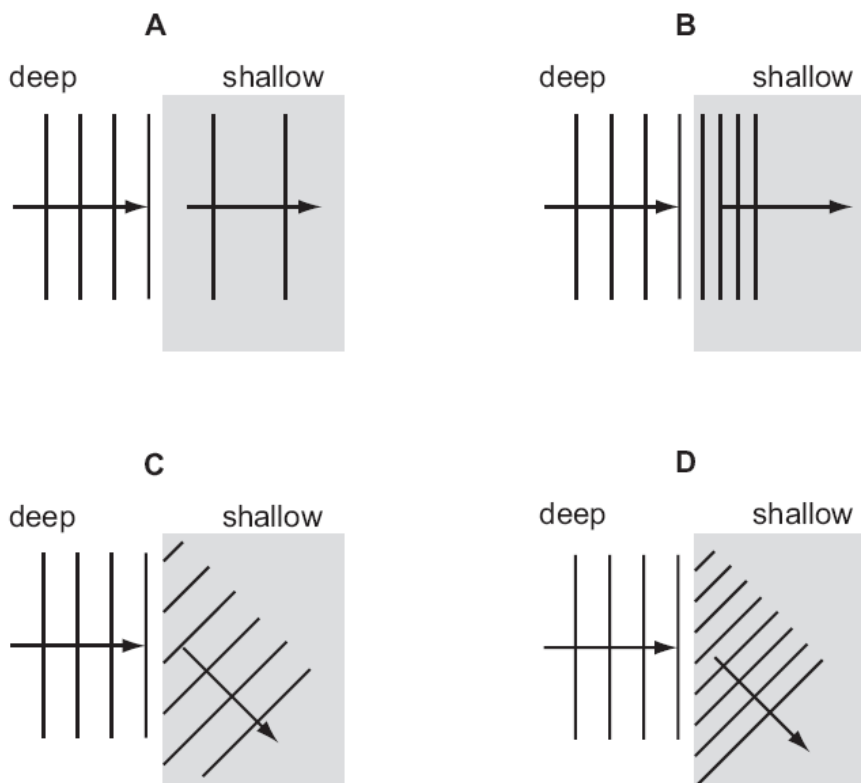
Which diagram shows the wave pattern beyond the barrier?



25.?

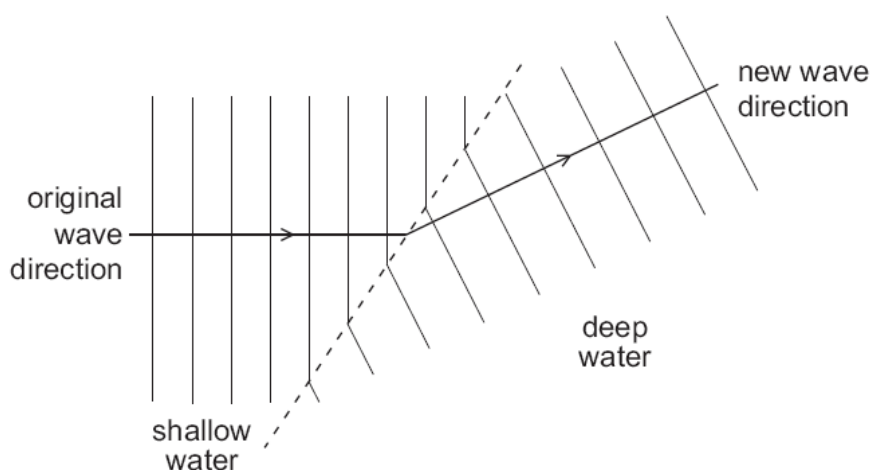
Water waves travel more slowly in shallow water than in deep water.

Which diagram shows what will happen to plane waves in deep water when they enter shallow water?



26.?

Water waves change direction when they move from shallow water to deep water.

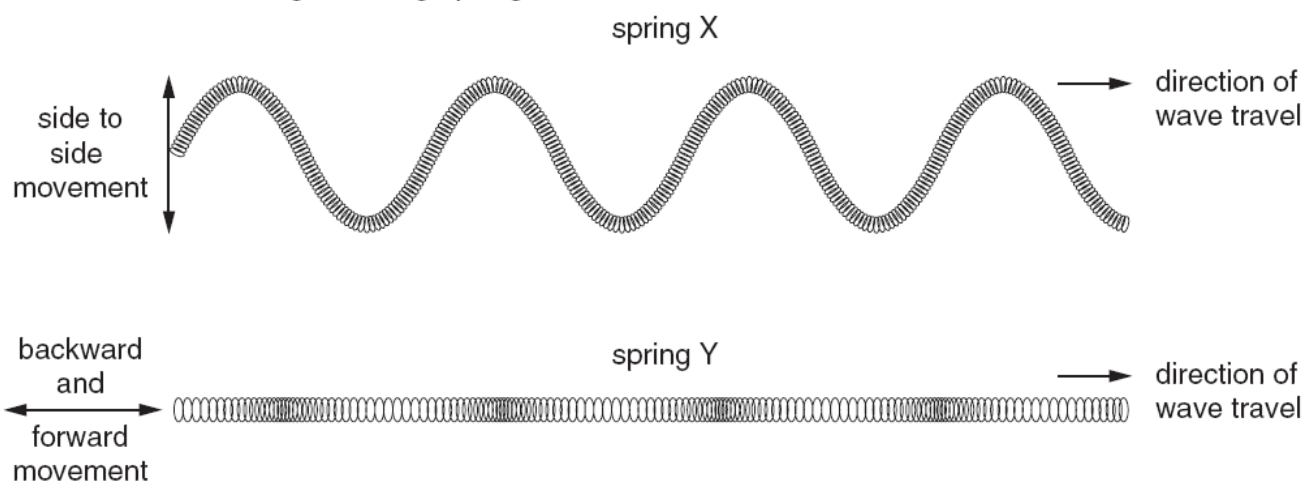


What is the name of this effect?

- A diffraction
- B dispersion
- C reflection
- D refraction

27.?

Waves are sent along two long springs X and Y as shown.

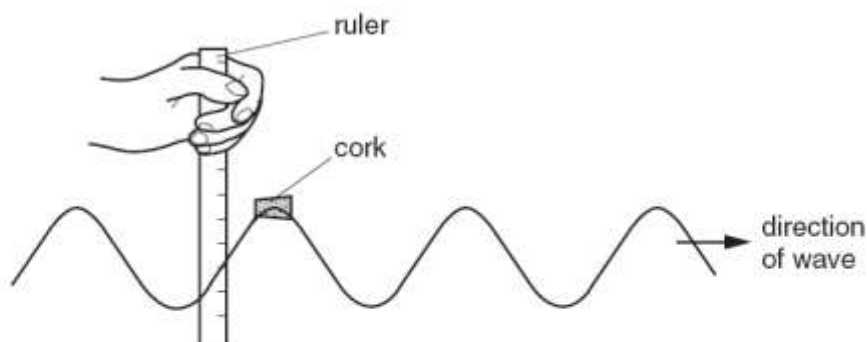


How should the wave motions in X and Y be described?

	spring X	spring Y
A	longitudinal	longitudinal
B	longitudinal	transverse
C	transverse	longitudinal
D	transverse	transverse

28.?

A student measures how far a cork moves up and down on a wave in a tank of water.



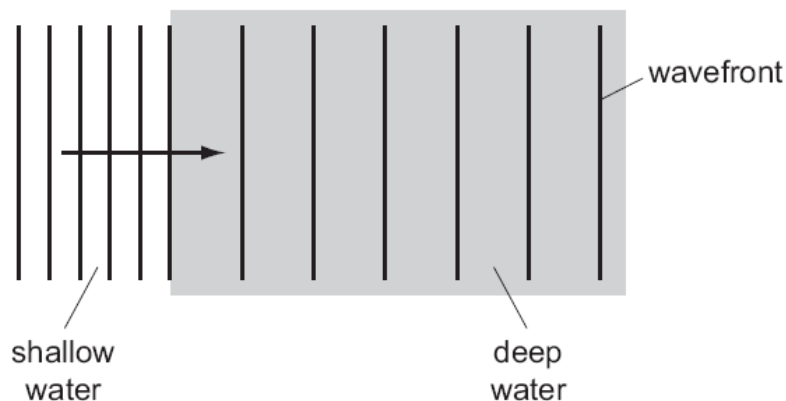
Which quantity can he obtain from his measurement?

- A amplitude
- B frequency
- C speed
- D wavelength

29. ?

Waves in a tank pass from shallow to deep water.

The wavefront diagram is shown.

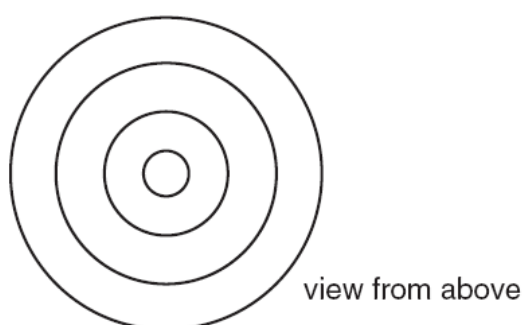


Which quantity increases as the waves enter the deep water?

- A amplitude
- B frequency
- C wave energy
- D wavelength

30.

A drop of water from a tap falls onto the surface of some water of constant depth.



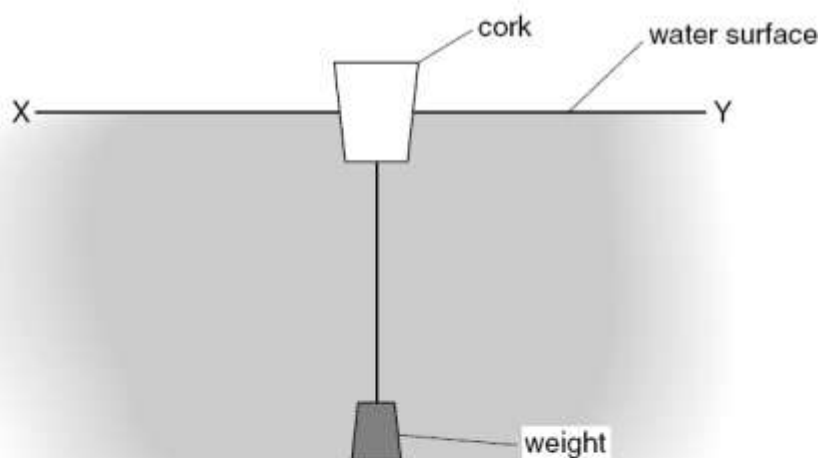
Water waves spread out on the surface of the water.

Which statement is true?

- A The waves are longitudinal and travel at the same speed in all directions.
- B The waves are longitudinal and travel more quickly in one direction than in others.
- C The waves are transverse and travel at the same speed in all directions.
- D The waves are transverse and travel more quickly in one direction than in others.

31.

The diagram shows a cork with a weight attached so that the cork floats upright.



Transverse waves travel across the water from X to Y.

Which way do the waves make the cork move?

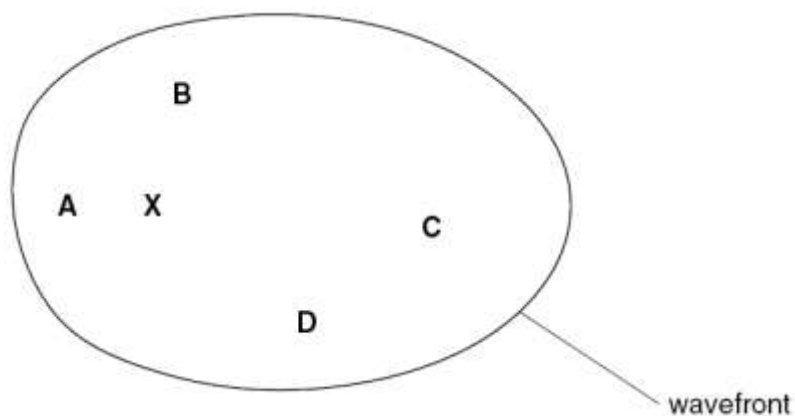
- A →← right and left
- B ↑↓ up and down
- C → only to the right
- D ← only to the left

32.

Waves travel more slowly on the surface of water when the water is shallow.

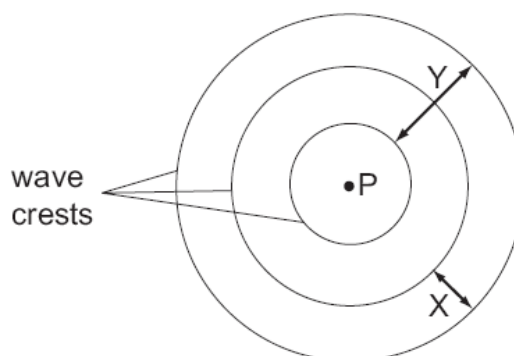
A person drops a stone into a pool at X. The diagram shows the first wavefront on the surface of the pool.

Which region of the pool is likely to be most shallow?



33.?

A vertical stick is dipped up and down in water at P. In two seconds, three wave crests are produced on the surface of the water.

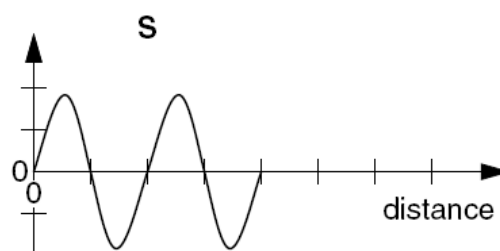
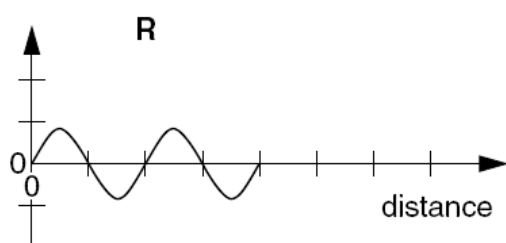
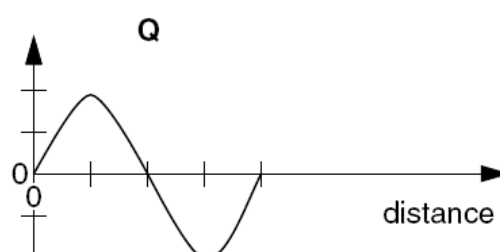
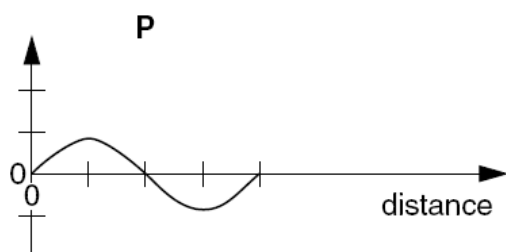


Which statement is true?

- A Distance X is the amplitude of the waves.
- B Distance Y is the wavelength of the waves.
- C Each circle represents a wavefront.
- D The frequency of the waves is 3 Hz.

34.?

The diagram shows four waves drawn to the same scale.



Which statement is correct?

- A The amplitude of wave P is the same as the amplitude of wave R.
- B The amplitude of wave S is double the amplitude of wave Q.
- C The wavelength of wave Q is double the wavelength of wave P.
- D The wavelength of wave S is the same as the wavelength of wave Q.

Topic 12.1 – Light waves-reflection

1. A girl writes the word **LEFT** on a piece of card.

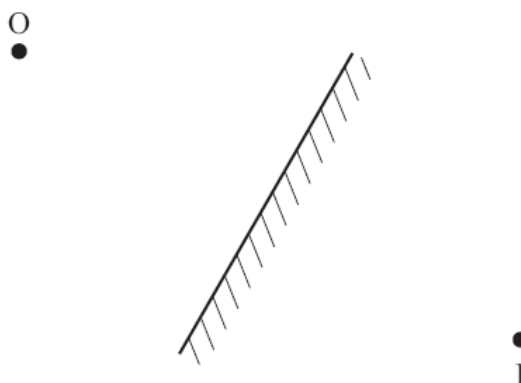


She looks at the image of this card, made by reflection by a plane mirror.

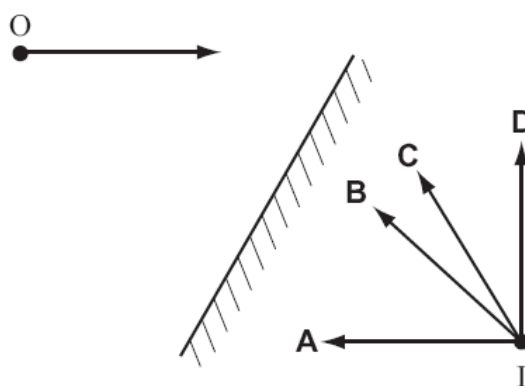
What does she see?



2. An object placed in front of a plane mirror at O produces an image at I.

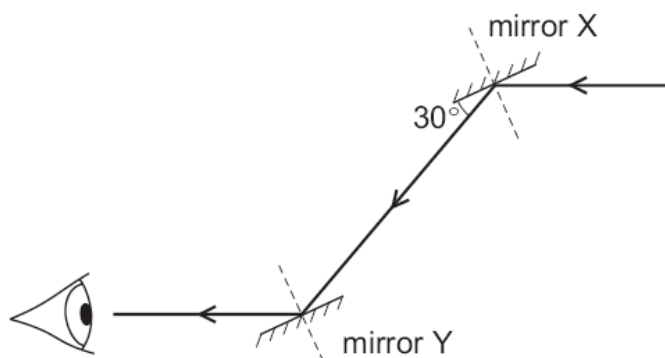


If the object moves towards the mirror in the direction shown by the arrow, in which direction does the image move?



3. ?

A ray of light is reflected by two parallel plane mirrors X and Y.

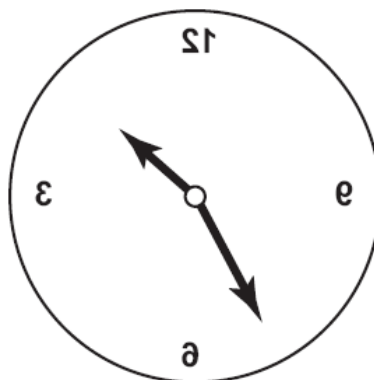


Which statement is correct?

- A The angle of incidence at mirror X is  $30^\circ$ .
- B The angle of incidence at mirror Y is  $60^\circ$ .
- C The angle of reflection at mirror X is  $120^\circ$ .
- D The angle of reflection at mirror Y is  $0^\circ$ .

4. ?

The image of a clock face as seen in a plane mirror is shown.



What is the time on the clock?

- A 1.25
- B 1.35
- C 10.25
- D 10.35

5. ?

A plane mirror is on a wall.

Which is a correct description of the image formed by the mirror?

- A the right way up and smaller than the object
- B the right way up and the same size as the object
- C upside down and smaller than the object
- D upside down and the same size as the object



6. ?

The diagram shows the image of a clock in a plane mirror.

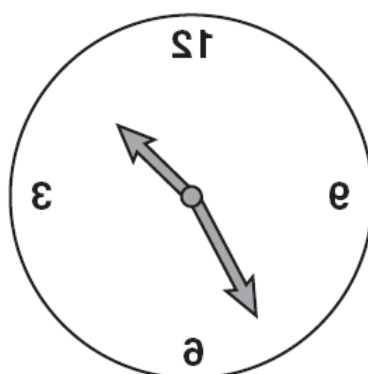


What time is shown?

- A 02:25      B 02:35      C 09:25      D 09:35

7. ?

The image of a clock face as seen in a plane mirror is shown.



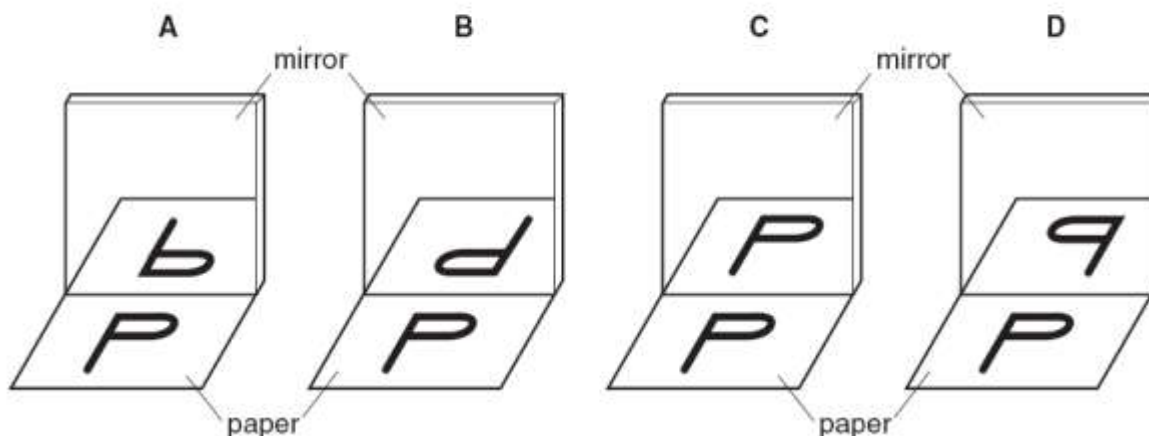
What is the actual time on the clock?

- A 1.25      B 1.35      C 10.25      D 10.35

8. ?

A student looks at the letter P on a piece of paper, and at its reflection in a mirror.

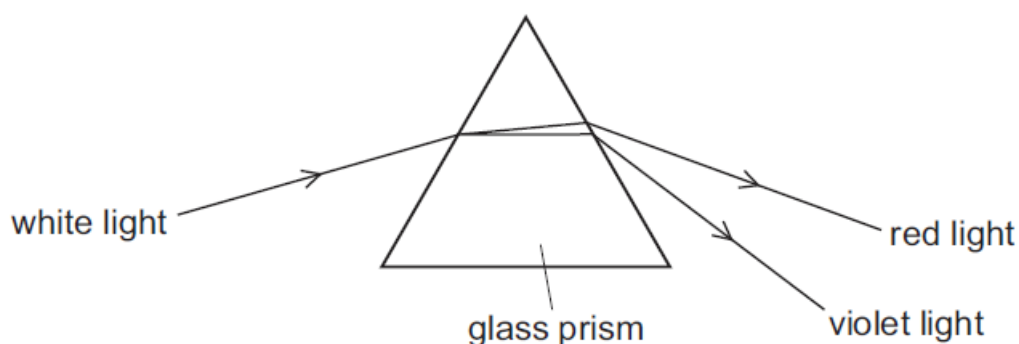
What does he see?



**Topic 12.2 – Light waves-refraction**

1.

The diagram shows the dispersion of white light by a glass prism.

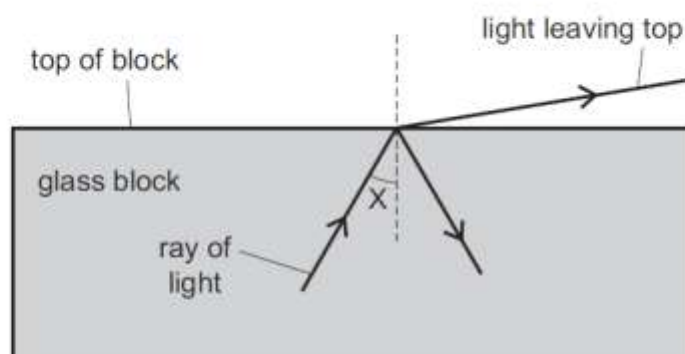


Why does dispersion occur when white light enters the glass?

- A The frequency of red light decreases more than that of violet light.
- B The frequency of violet light decreases more than that of red light.
- C The speed of red light decreases more than that of violet light.
- D The speed of violet light decreases more than that of red light.

2.

A scientist is trying to direct a ray of light through a glass block without any light leaving the top of the block. However, some light does leave the top.



The scientist changes angle X and stops the ray of light leaving the top.

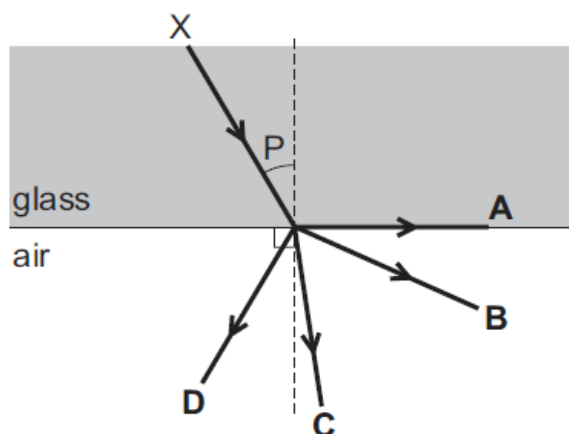
Which row in the table describes the change to angle X and the name of the effect produced?

	change to angle X	name of effect produced
<b>A</b>	decrease	total internal reflection
<b>B</b>	decrease	total internal refraction
<b>C</b>	increase	total internal reflection
<b>D</b>	increase	total internal refraction

3.

The diagram shows a ray of light travelling from X. Angle P is less than the critical angle.

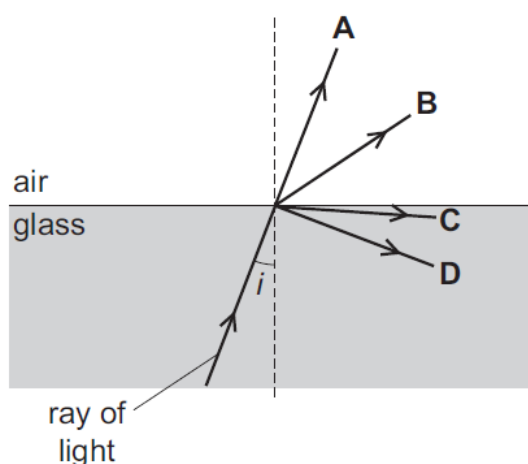
In which direction does the ray continue?



4.

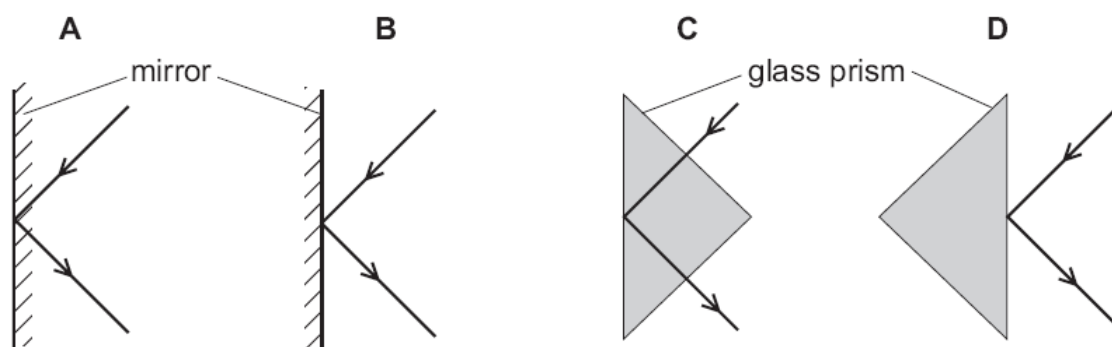
A ray of light in glass is incident on a boundary with air.

Which path does the ray of light take when the angle of incidence  $i$  is less than the critical angle?



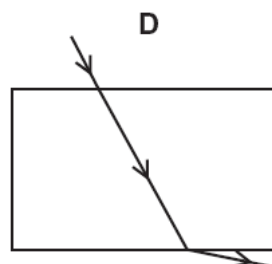
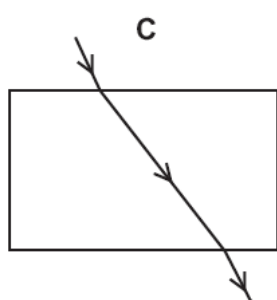
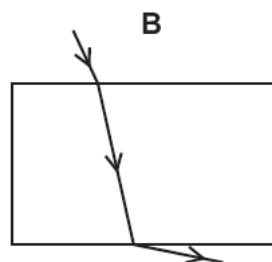
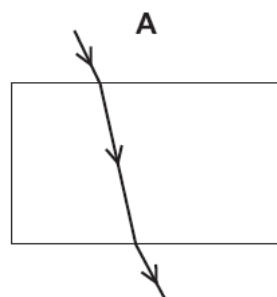
5.

Which diagram shows total internal reflection of light?



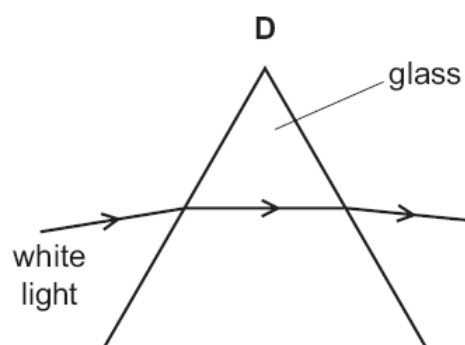
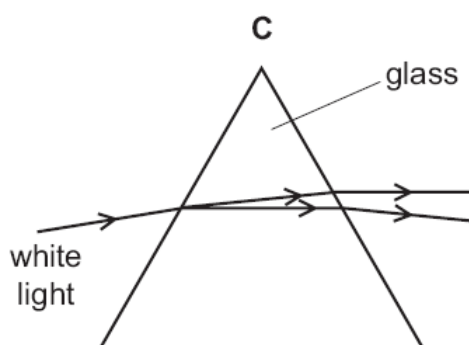
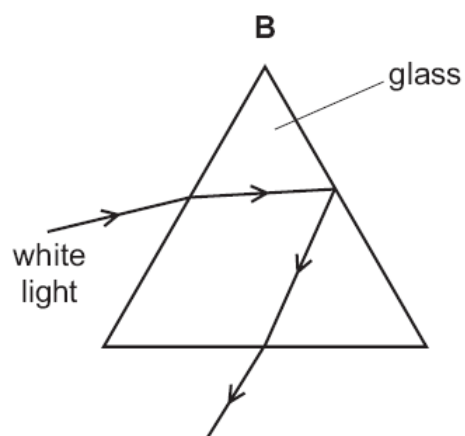
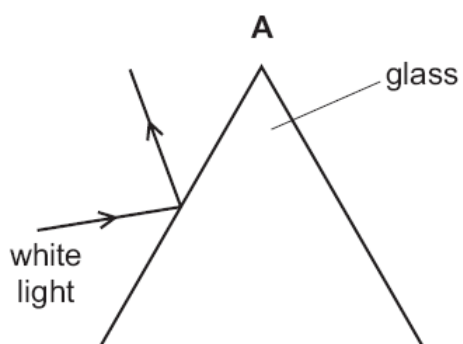
6. ?

Which diagram correctly shows a ray of light passing through a rectangular glass block?



7. ?

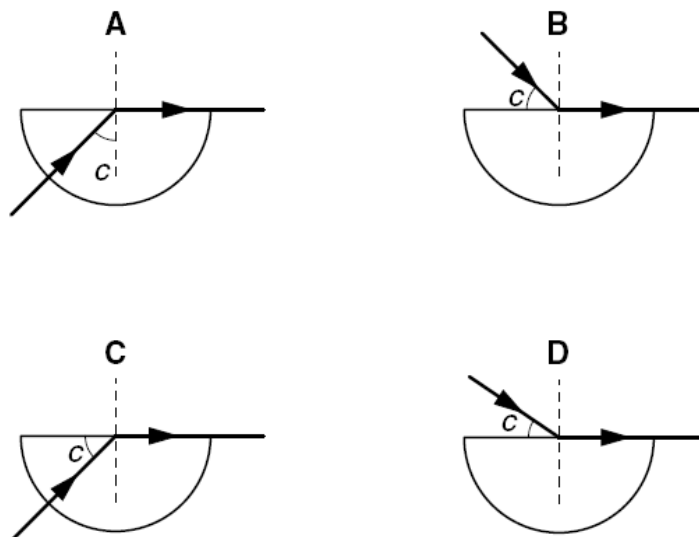
Which diagram shows the dispersion of white light?



8. ?

The diagrams show a semi-circular glass block.

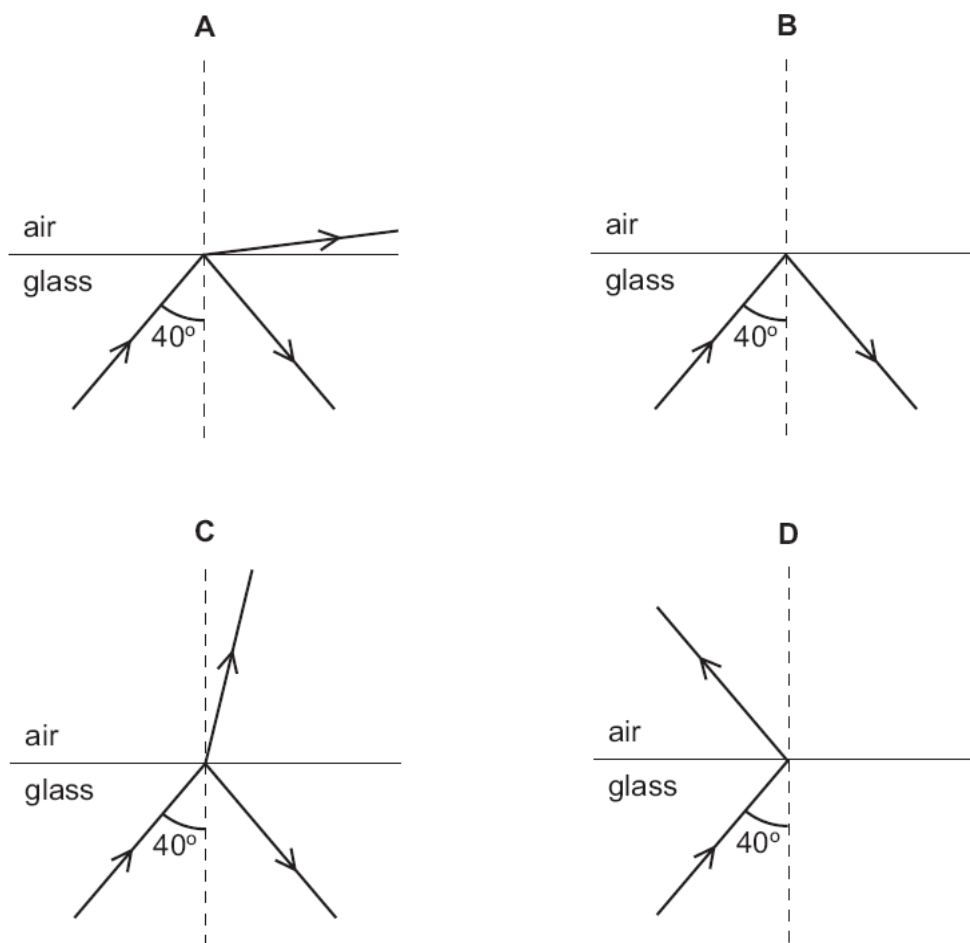
Which diagram correctly shows the path of the ray of light and the critical angle  $c$ ?



9. ?

A ray of light passes from glass into air at an angle of incidence of  $40^\circ$ . The glass has a critical angle of  $42^\circ$ .

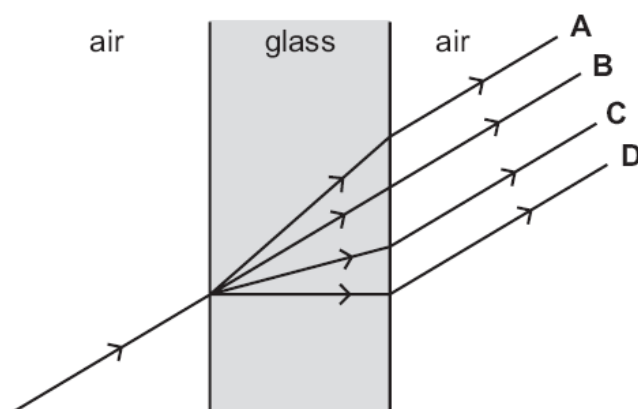
Which diagram shows what happens to the ray?



10.

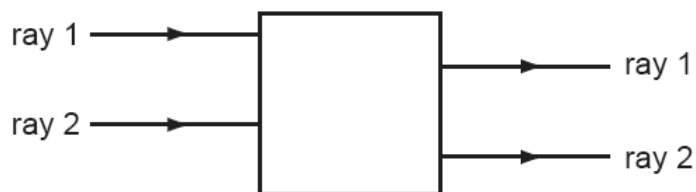
A ray of light passes through a window.

Which path does it take?



11.

Rays of light enter and leave a box.

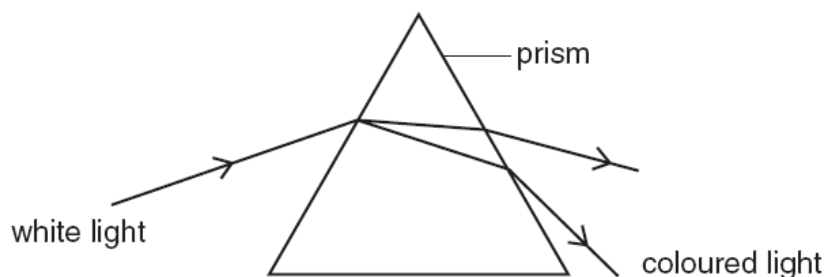


What could be inside the box to make the rays behave as shown?

- A a converging lens
- B a parallel-sided glass block
- C a plane mirror
- D a triangular prism

12.

One of the effects of passing a ray of white light through a prism is to split the light into colours.

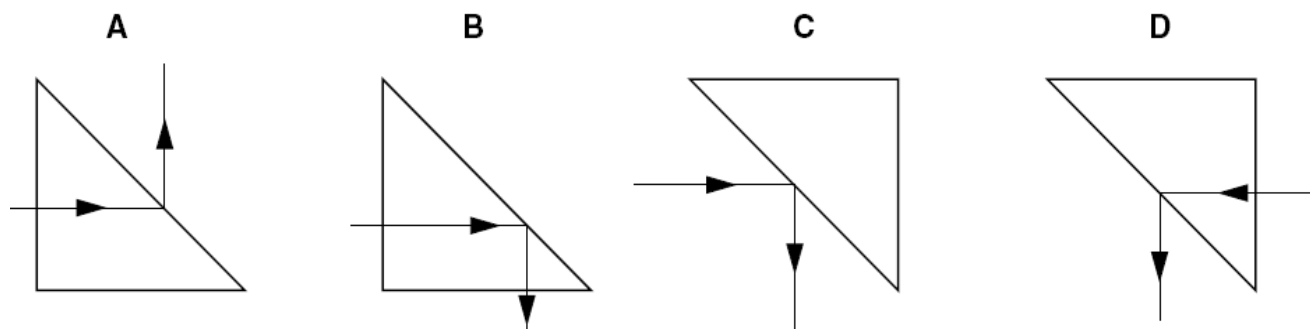


What is the name given to this effect?

- A deviation
- B dispersion
- C reflection
- D refraction

13. ?

Which diagram shows how a ray of light passes through a glass prism in a periscope?



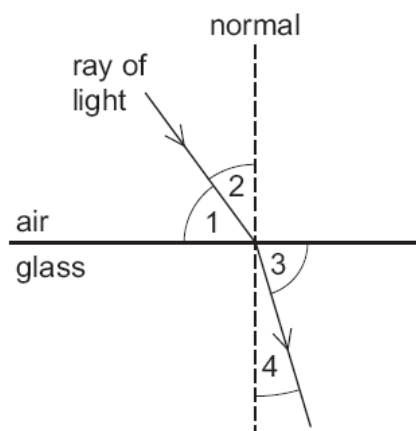
14.

What causes refraction when light travels from air into glass?

- A The amplitude of the light waves changes.
- B The colour of the light changes.
- C The frequency of the light waves changes.
- D The speed of the light changes.

15.

The diagram shows a ray of light entering a block of glass.



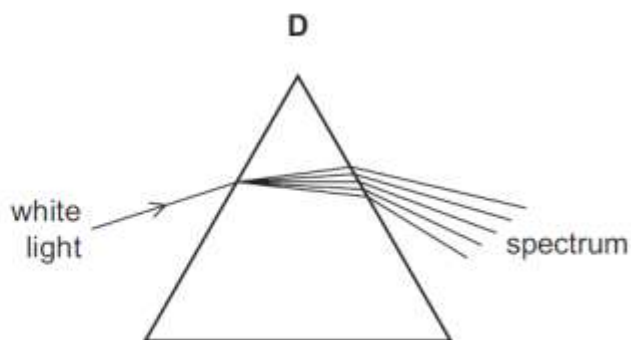
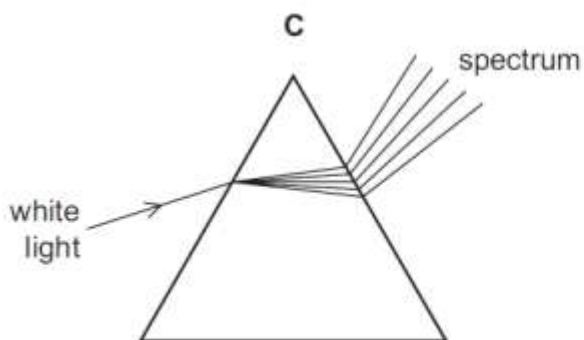
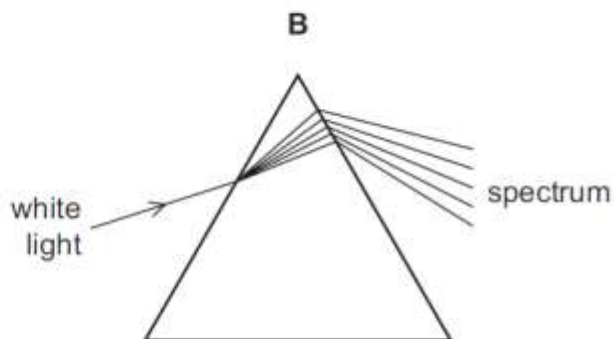
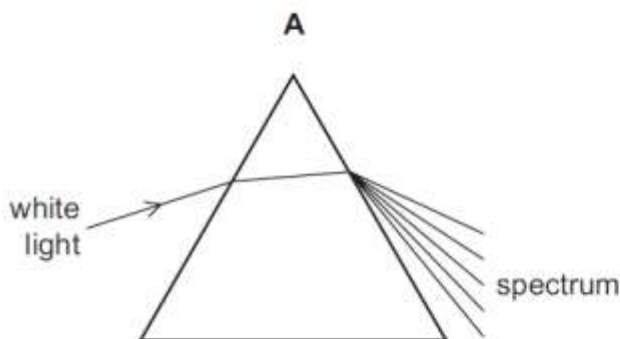
Which numbered angles are the angles of incidence and of refraction?

	angle of incidence	angle of refraction
<b>A</b>	1	3
<b>B</b>	1	4
<b>C</b>	2	3
<b>D</b>	2	4

**Topic 12.3 – Light waves-dispersion/electromagnetic spectrum**

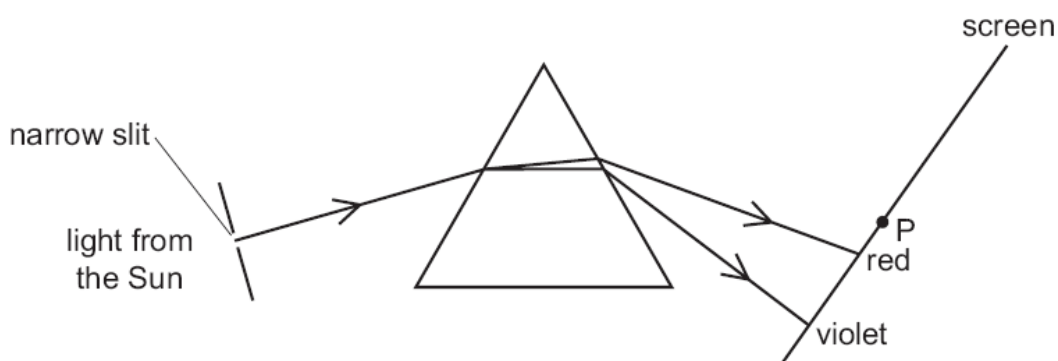
1.

!1 Which diagram shows what happens when a ray of white light passes through a prism?



2. ?

Light from the Sun passes through a prism and a spectrum is produced on a screen.



A thermometer placed at P shows a large temperature rise.

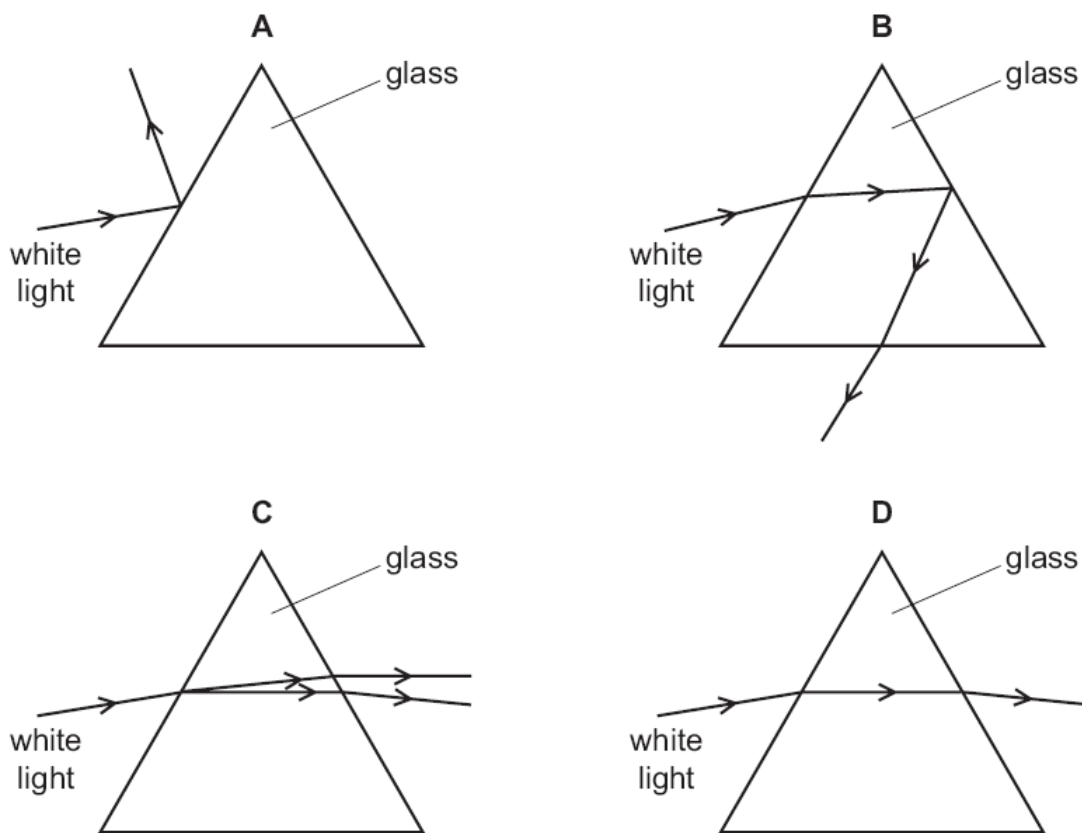
Which type of radiation causes this?

- A infra-red
- B microwave
- C ultra-violet
- D visible light



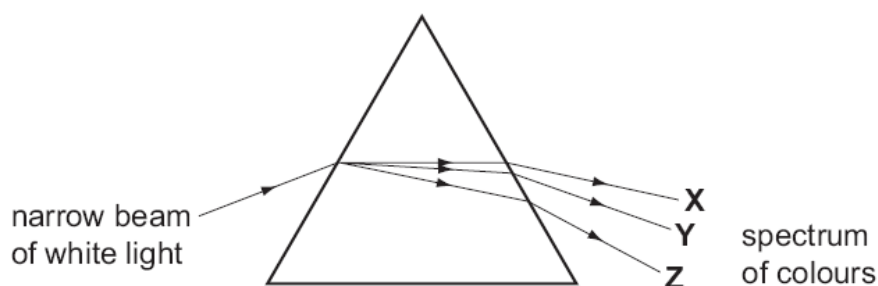
3. ?

Which diagram shows the dispersion of white light?



4. ?

A student shines a narrow beam of white light into a prism as shown in the diagram. He sees a spectrum of colours emerging from the prism.



Which three colours does he see at X, at Y and at Z?

	X	Y	Z
A	blue	yellow	red
B	red	blue	yellow
C	red	yellow	blue
D	yellow	red	blue

5. ?

Which type of wave **cannot** travel through a vacuum?

- A infra-red radiation
- B microwaves
- C sound waves
- D X-rays

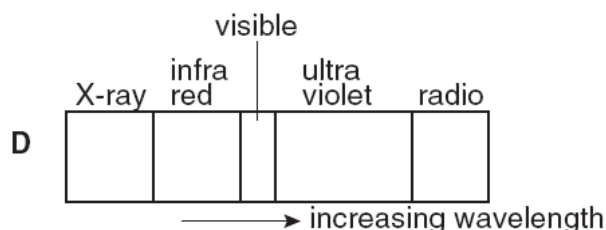
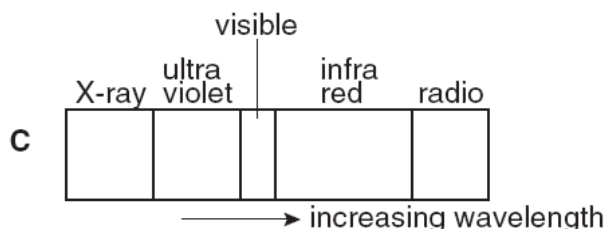
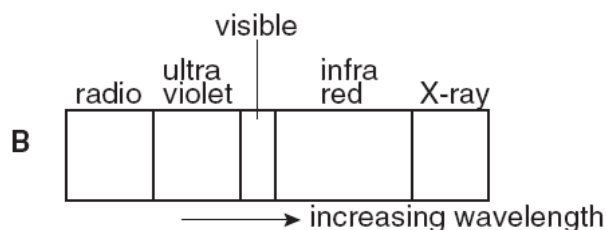
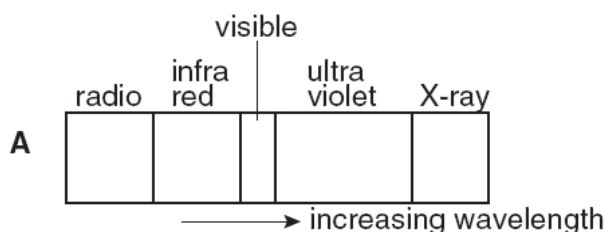
6.

What causes refraction when light travels from air into glass?

- A The amplitude of the light waves changes.
- B The colour of the light changes.
- C The frequency of the light waves changes.
- D The speed of the light changes.

7.

Which diagram shows the correct order of the waves in the electromagnetic spectrum?



8. ?

A student copies a diagram of the electromagnetic spectrum but makes a mistake.

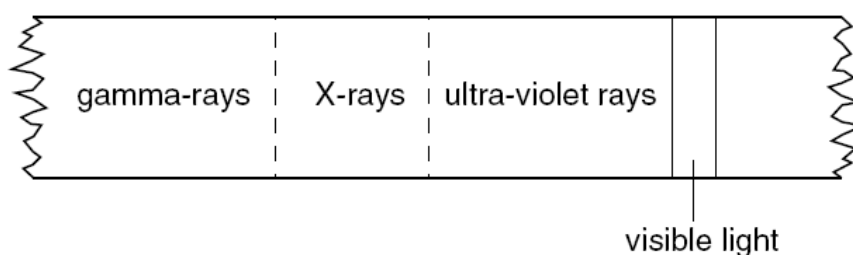
radio waves	micro-waves	infra-red waves	visible light	X-rays	ultra-violet waves	gamma rays
long wavelength				short wavelength		

Which **two** names should be interchanged so that the order is correct?

- A infra-red waves and radio waves
- B infra-red waves and ultra-violet waves
- C radio waves and visible light
- D ultra-violet waves and X-rays

9.

The diagram shows a section of the electromagnetic spectrum.



How do the frequency and the speed of gamma rays compare with those of visible light?

	frequency	speed in a vacuum
A	gamma greater	same
B	visible greater	same
C	gamma greater	gamma faster
D	visible greater	visible faster

10. ?

Which statement is correct about the speed of electromagnetic waves in a vacuum?

- A Ultra-violet waves have the greatest speed.
- B Visible light waves have the greatest speed.
- C Infra-red waves have the greatest speed.
- D All electromagnetic waves have the same speed.

11. ?

Alpha-particles, beta-particles, gamma-rays and infra-red radiation may all be emitted from a solid.

Which of these are included in the electromagnetic spectrum?

- A alpha-particles and beta-particles
- B alpha-particles and gamma-rays
- C beta-particles and infra-red radiation
- D gamma-rays and infra-red radiation

12. ?

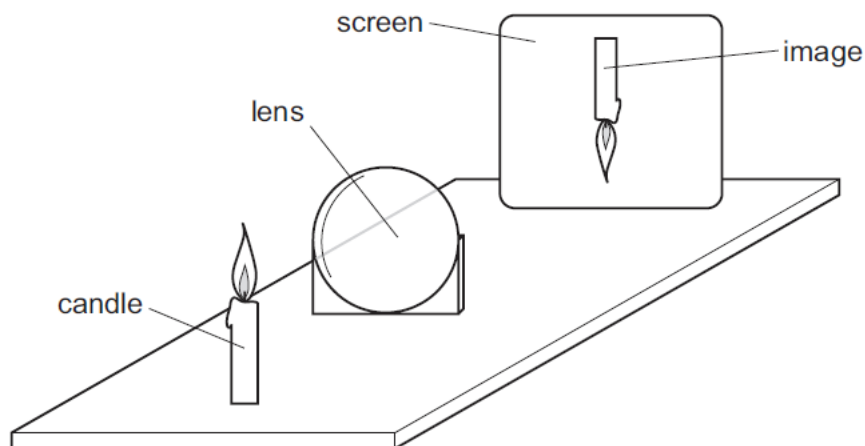
Which type of radiation lies between visible light and microwaves in the electromagnetic spectrum?

- A infra-red
- B radio waves
- C ultra-violet
- D X-rays

## Topic 12.4 – Light waves

1.

A thin converging lens is used to produce, on a screen, a focused image of a candle.



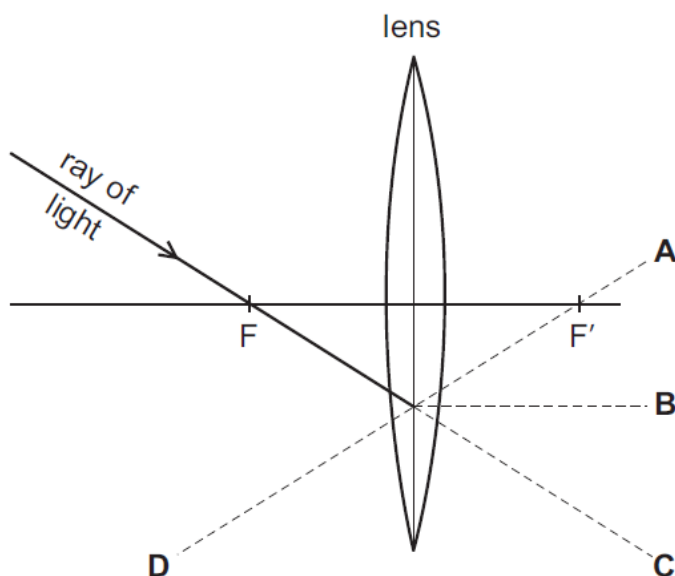
Various focused images are produced on the screen by moving the lens and the screen backwards and forwards.

Which statement is **always** correct?

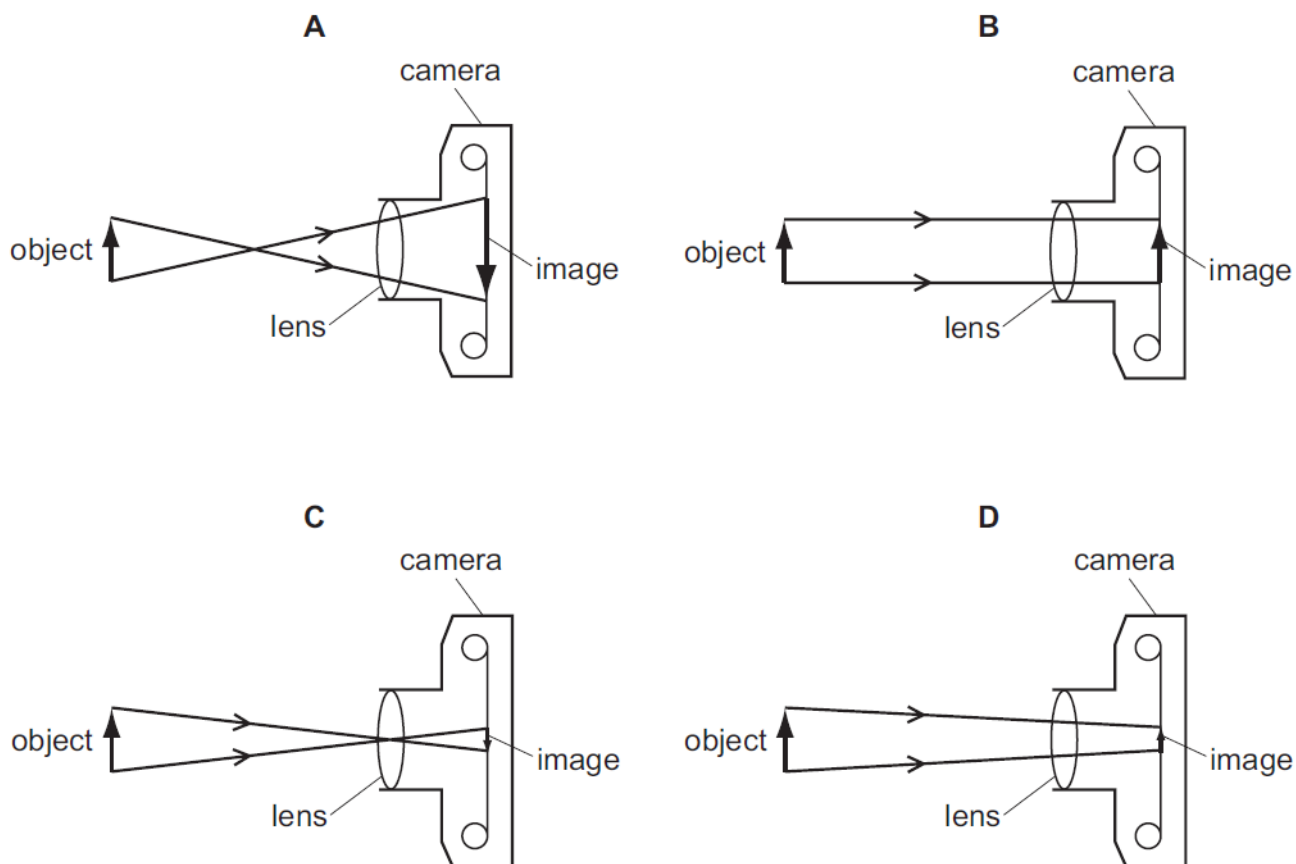
- A The image is at the principal focus (focal point) of the lens.
  - B The image is bigger than the object.
  - C The image is closer to the lens than the object is.
  - D The image is inverted.
- 2.

The diagram shows the path of a ray of light passing through a principal focus F of a lens.

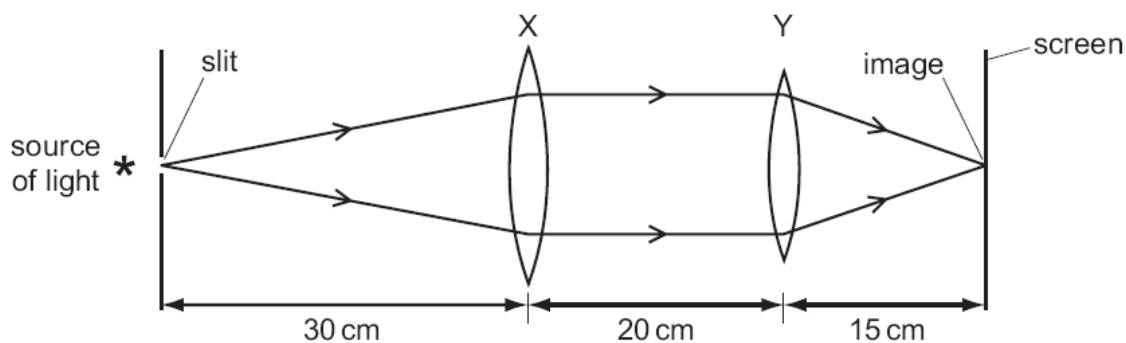
Which broken line shows the direction of the ray after it leaves the lens?



3. Which diagram correctly shows rays of light passing through a converging lens in a camera?



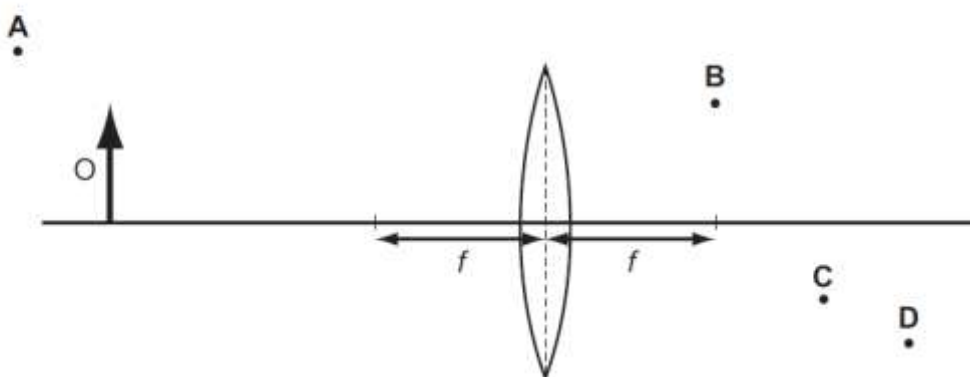
4. ?  
Two thin converging lenses X and Y are used as shown to give a focused image of an illuminated slit. The rays shown are parallel between X and Y.



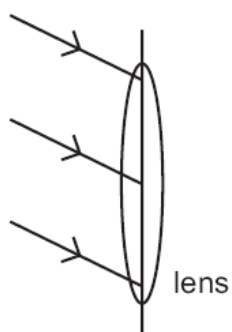
What are the correct values for the focal lengths of X and of Y?

	focal length of X / cm	focal length of Y / cm
<b>A</b>	50	35
<b>B</b>	30	20
<b>C</b>	30	15
<b>D</b>	20	20

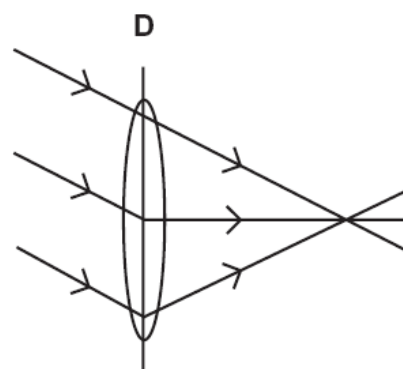
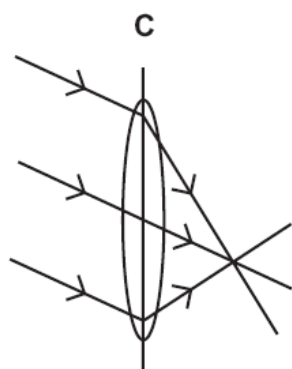
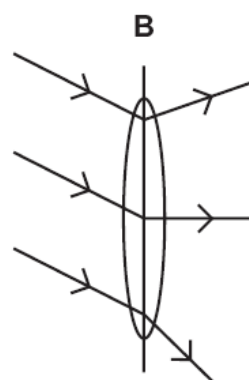
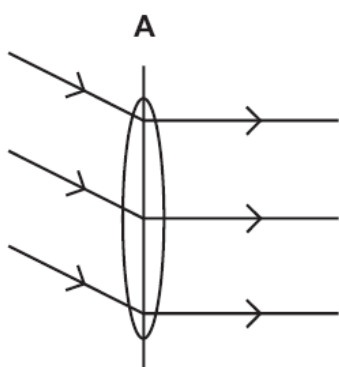
5. An object O is placed in front of a converging lens of focal length  $f$ .  
At which point will the top of the image be seen?



6. Three rays of light fall on a converging lens as shown.



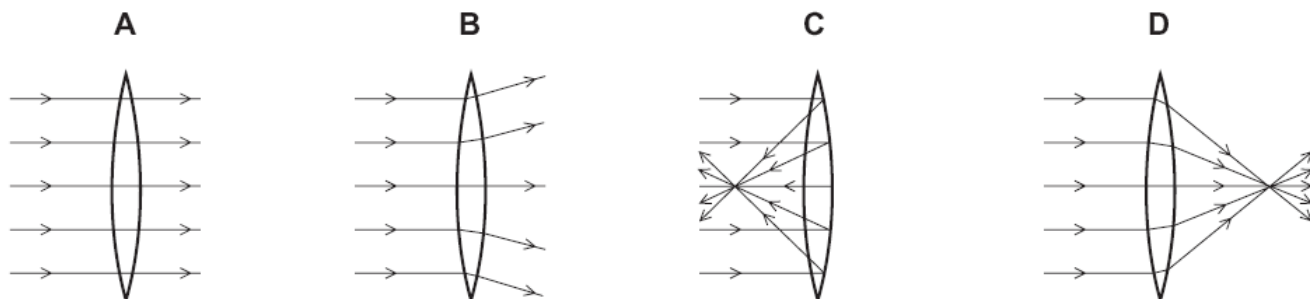
Which diagram shows the path of the rays after passing through the lens?



7.

A parallel beam of light falls on a converging lens.

Which diagram shows what happens to the beam of light?





**Topic 13 – Sound waves**

1.

Sound travels by wave motion.

Which property of waves causes echoes?

- A diffraction
- B dispersion
- C reflection
- D refraction

2.

A student listens to a machine that makes sounds of different frequencies. He can only hear one of the sounds.

Which frequency of sound is the student able to hear?

- A 2 Hz
- B 10 Hz
- C 2 kHz
- D 30 kHz

3.

A student wishes to measure the speed of sound in air. She plans to measure the time between making a sound and hearing the echo from a cliff.



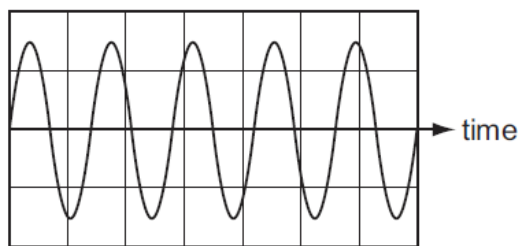
She will use the equation:  $\text{speed} = \frac{\text{distance}}{\text{time}}$ .

Which type of sound should she make and which distance should she use in her calculation?

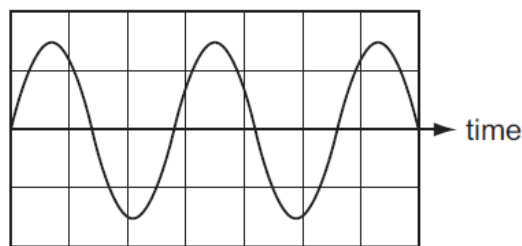
	type of sound	distance to use
<b>A</b>	continuous sound	$\frac{\text{distance to cliff}}{2}$
<b>B</b>	continuous sound	distance to cliff $\times$ 2
<b>C</b>	short, sharp sound	$\frac{\text{distance to cliff}}{2}$
<b>D</b>	short, sharp sound	distance to cliff $\times$ 2

4.

The diagrams show the wave shapes of two different sounds. The scales are the same in each diagram.



sound 1



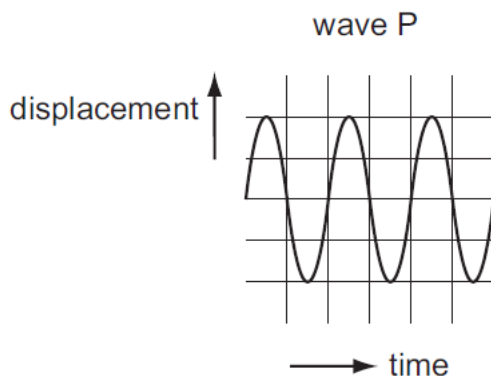
sound 2

How does sound 2 compare with sound 1?

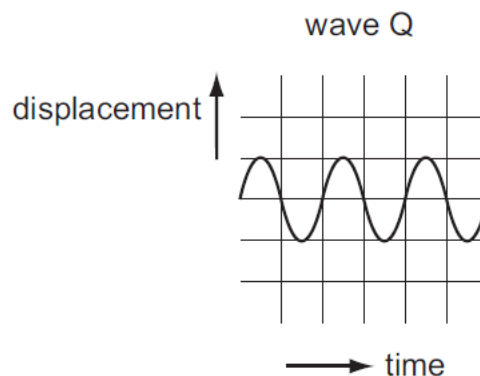
- A Sound 2 is louder than sound 1.
- B Sound 2 is quieter than sound 1.
- C Sound 2 has a higher pitch than sound 1.
- D Sound 2 has a lower pitch than sound 1.

5.

The diagrams represent two different sound waves.



wave P



wave Q

How do the frequency and pitch of P compare with the frequency and pitch of Q?

	frequency of P	pitch of P
A	greater than Q	higher than Q
B	greater than Q	same as Q
C	same as Q	higher than Q
D	same as Q	same as Q

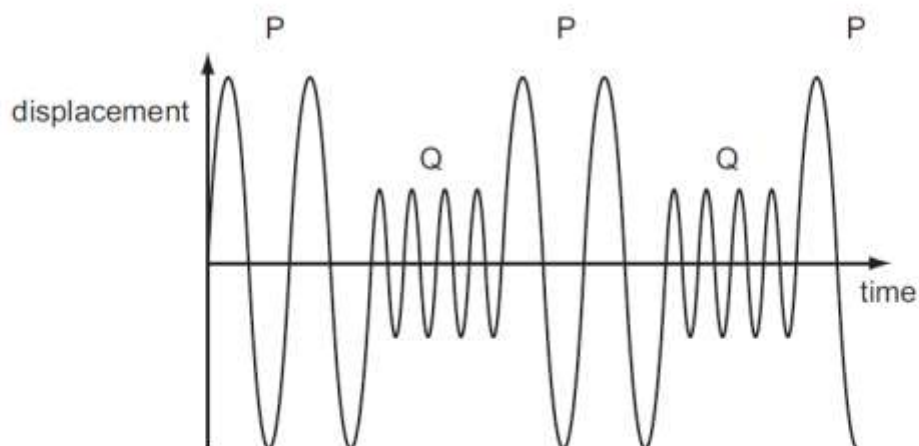
6.

What is the approximate value of the highest frequency that can be heard by a young person?

- A 20 Hz
- B 200 Hz
- C 2000 Hz
- D 20 000 Hz

7.

A police car siren emits two different sounds P and Q. These are produced alternately. The diagram represents the sounds emitted.

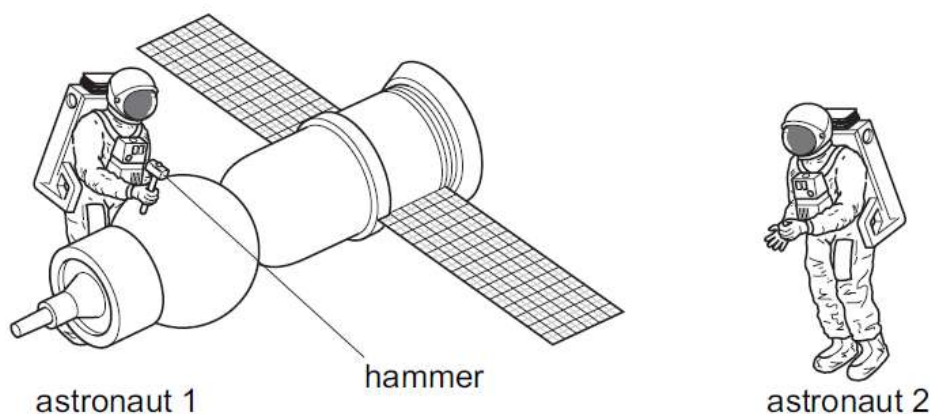


Which sound is the louder and which has the lower pitch?

	louder	lower pitch
<b>A</b>	P	P
<b>B</b>	P	Q
<b>C</b>	Q	P
<b>D</b>	Q	Q

8.

Astronaut 1 uses a hammer to mend a satellite in space. Astronaut 2 is nearby. There is no space.



Compared with the sound heard if they were working on Earth, what does astronaut 2 hear?

- A** a louder sound
- B** a quieter sound
- C** a sound of the same loudness
- D** no sound at all

9.

Sound waves travel from a point X to another point Y.

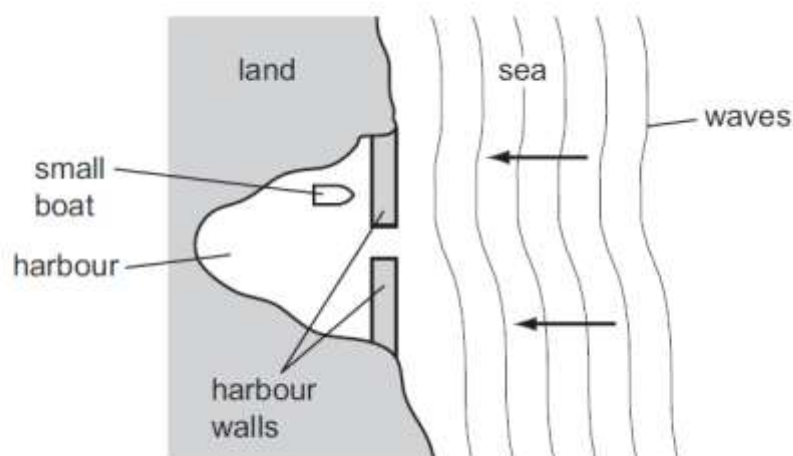


Which diagram represents the movement of the air molecules, caused by the sound waves, in the region between X and Y.



10.

A small boat in a harbour is protected from waves on the sea by harbour walls.



Some waves can curve round the harbour walls and reach the boat.

What is the name for this effect?

- A diffraction
- B dispersion
- C reflection
- D refraction

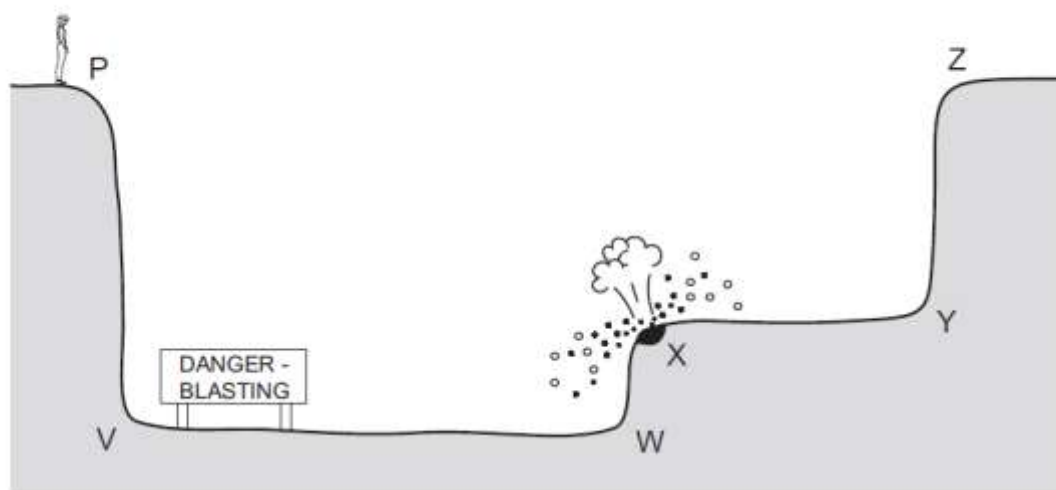
11. ?

Which equation can be used to calculate the speed of sound?

- A  $\text{speed} = \frac{\text{distance}}{\text{time}}$
- B  $\text{speed} = \text{distance} \times \text{time}$
- C  $\text{speed} = \frac{\text{time}}{\text{distance}}$
- D  $\text{speed} = \text{time} + \text{distance}$

12.

An engineer standing at P sees an explosion at X.



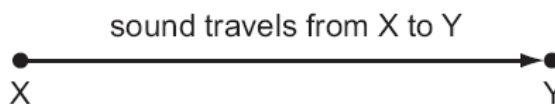
After the explosion, she hears two bangs. One bang is heard a fraction of a second after the other. The second bang is an echo.

From which surface has the sound reflected to cause this echo?

- A** XY                      **B** PV                      **C** ZY                      **D** WX

13. ?

In an experiment to measure the speed of sound, a student uses a stopwatch to find how long a sound takes to travel from X to Y. She does this six times.



The table shows her results.

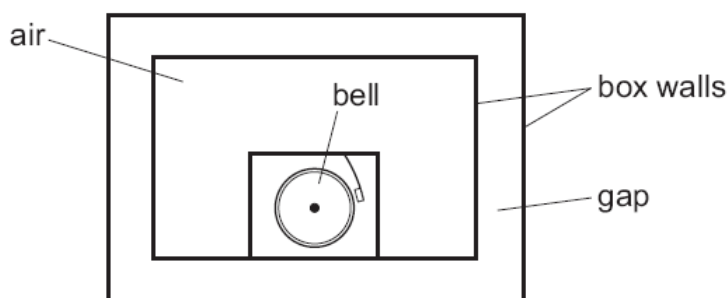
	time/s
first	0.5
second	0.7
third	0.6
fourth	0.4
fifth	0.9
sixth	0.5

What value for the time should be used to calculate the speed of sound?

- A** 0.4s                      **B** 0.5s                      **C** 0.6s                      **D** 0.9s

14. ?

A battery-operated bell is surrounded by a box with double walls.



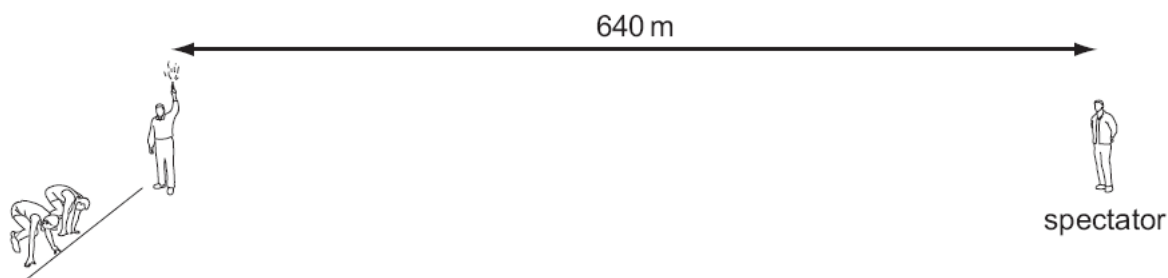
The bell is ringing but no sound at all is heard outside the box.

What is in the gap?

- A a solid
- B a liquid
- C a gas
- D a vacuum

15. ?

A starting pistol is fired 640 m away from a spectator.



The spectator hears the sound of the starting pistol two seconds after seeing the flash from the gun.

What is the speed of sound in air?

- A 160 m/s
- B 320 m/s
- C 640 m/s
- D 1280 m/s

16. ?

Which word correctly completes the sentence below?

An echo is a sound wave which is ..... by a large obstacle.

- A absorbed
- B dispersed
- C reflected
- D refracted

17. ?

A girl stands at a distance from a large building. She claps her hands and a short time later hears an echo.

Why is an echo produced when the sound waves hit the building?

- A The sound waves are absorbed.
- B The sound waves are diffracted.
- C The sound waves are reflected.
- D The sound waves are refracted.

18. ?

Music is produced by the loudspeaker of a radio.

Which property of the sound wave increases when the music is made louder?

- A amplitude
- B frequency
- C speed
- D wavelength

19. ?

What is the approximate range of audible frequencies for most humans?

- A 10Hz to 10 000 Hz
- B 20Hz to 20 000 Hz
- C 10kHz to 10 000 kHz
- D 20kHz to 20 000 kHz

20. ?

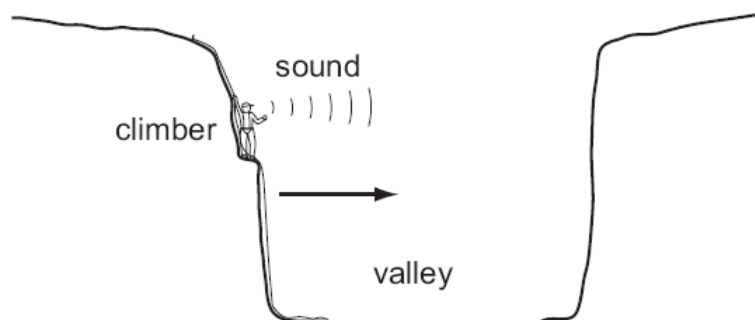
A police car with its siren sounding is stationary in heavy traffic. A pedestrian notices that, although the loudness of the sound produced does not change, the pitch varies.

Which line in the table describes the amplitude and the frequency of the sound?

	amplitude	frequency
A	constant	varying
B	constant	constant
C	varying	constant
D	varying	varying

21. ?

To estimate the width of a valley, a climber starts a stopwatch as he shouts. He hears an echo from the opposite side of the valley after 1.0 s.



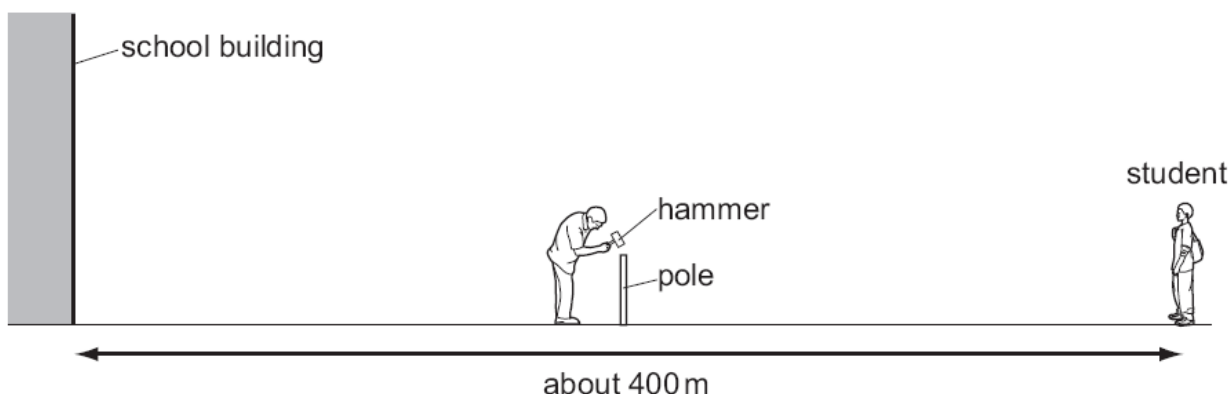
The sound travels at 340 m/s.

What is the width of the valley?

- A** 85 m                      **B** 170 m                      **C** 340 m                      **D** 680 m

22. ?

A sports field is next to a large school building. At the far side of the sports field, a student sees a groundsman hammer a pole into the ground.



The student hears two bangs each time the hammer hits the pole.

Why does the student hear two bangs?

	first bang caused by	second bang caused by
<b>A</b>	sound of hammer hitting pole	sound of pole hitting hammer
<b>B</b>	sound reaching left ear	sound reaching right ear
<b>C</b>	sound reaching student directly	sound due to echo from school building
<b>D</b>	sound reflected back from school building	sound reaching student directly

23.



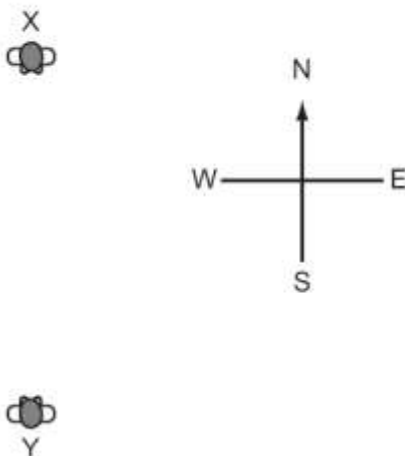
A ship sends a pulse of sound vertically downwards to the sea bed. An echo is heard 0.4 seconds later.

If the speed of sound in the water is 1200 m/s, how deep is the water below the ship?

- A** 240 m      **B** 480 m      **C** 1500 m      **D** 3000 m

24. ?

The diagram shows a man standing at X who shouts to a man standing at Y.



The man's voice will be heard sooner and more clearly if the wind is blowing towards the

- A** north.  
**B** south.  
**C** east.  
**D** west.

25. ?

Which range of frequencies typically can be heard by a 10 year-old child?

- A** 20 Hz – 2000 Hz  
**B** 20 Hz – 20 000 Hz  
**C** 200 Hz – 2000 Hz  
**D** 200 Hz – 20 000 Hz

26. ?

Sounds are made by vibrating objects. A certain object vibrates but a person nearby cannot hear any sound.

Which statement might explain why nothing is heard?

- A** The amplitude of the sound waves is too large.  
**B** The frequency of the vibration is too high.  
**C** The sound waves are transverse.  
**D** The speed of the sound waves is too high.

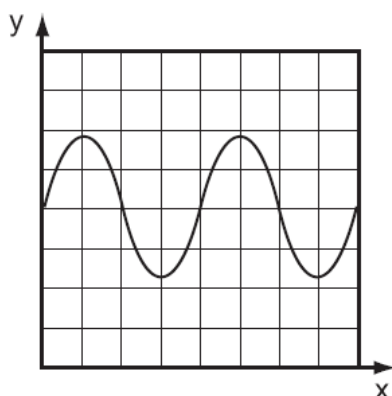
27. ?

Which of the following can be heard by the human ear?

- A A whistle emitting a wave of frequency 50 kHz.
- B A bat emitting a wave of frequency of 30 kHz.
- C An insect emitting a wave of 300 Hz.
- D A vibrating spring emitting a wave of frequency of 5 Hz.

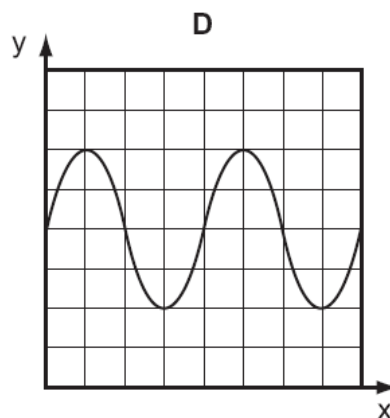
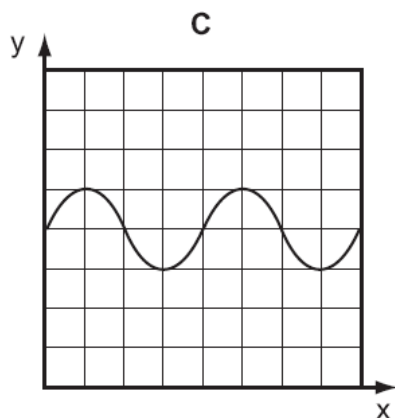
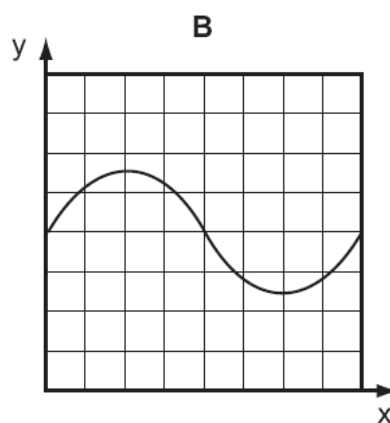
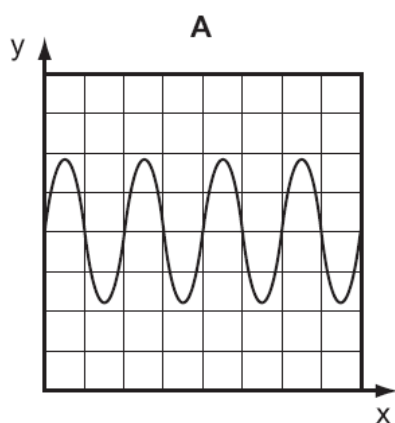
28. ?

The graph represents a sound wave. The horizontal (x) axis represents time.



The frequency of the sound is increased.

The graphs below are shown to the same scale. Which graph represents the new sound wave?



29. ?

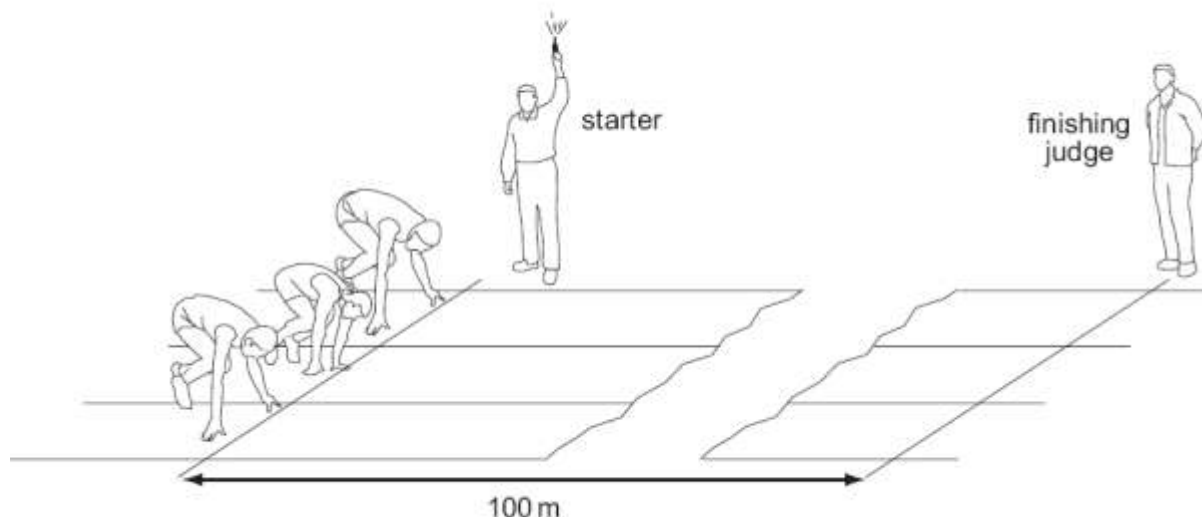
When the horn on a ship is sounded, the passengers hear an echo from a cliff after 4.0 s.

If the speed of sound is 340 m/s, how far away is the cliff?

- A 170 m                      B 340 m                      C 680 m                      D 1360 m

30. ?

A 100 metre race is started by firing a gun. The gun makes a bang and a puff of smoke comes out of the gun as shown.



When does the finishing judge see the smoke and hear the bang?

	sees the smoke	hears the bang
A	immediately	immediately
B	immediately	after about 0.3 s
C	after about 0.3 s	immediately
D	after about 0.3 s	after about 0.3 s

31. ?

Which change will lower the pitch of a sound?

- A decreasing its amplitude  
 B decreasing its frequency  
 C increasing its amplitude  
 D increasing its frequency

32. ?

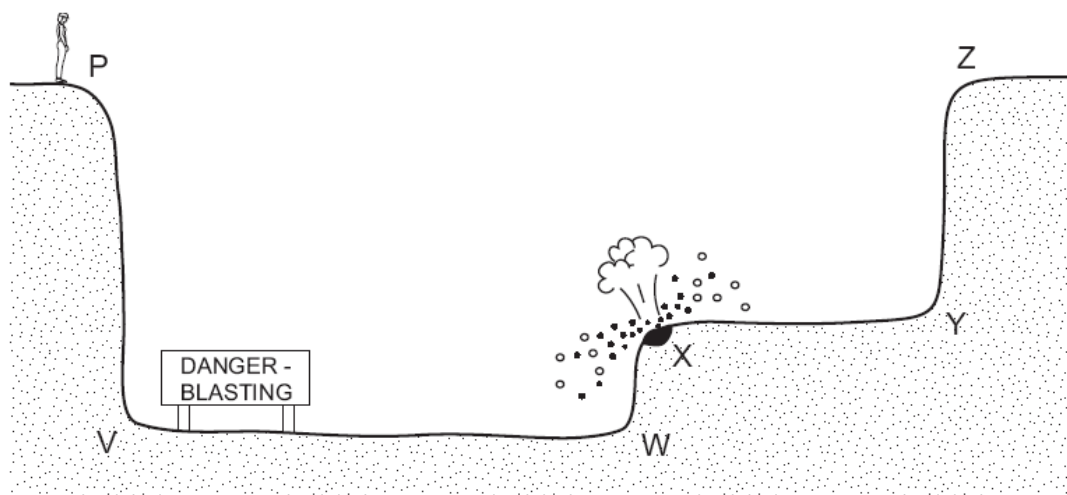
A fire alarm is not loud enough. An engineer adjusts it so that it produces a note of the same pitch which is louder.

What effect does this have on the amplitude and on the frequency of the sound?

	amplitude	frequency
<b>A</b>	larger	larger
<b>B</b>	larger	same
<b>C</b>	same	larger
<b>D</b>	same	same

33. ?

An engineer standing at P hears the sound of an explosion at X.



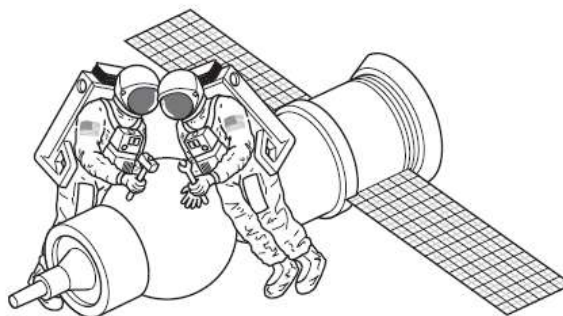
After the explosion, she hears two bangs. One bang is heard a fraction of a second after the other.

The second bang is an echo from

- A** XY.
- B** PV.
- C** ZY.
- D** WX.

34. ?

Two astronauts without radios can only communicate in space if their helmets are touching. There is no air in space.

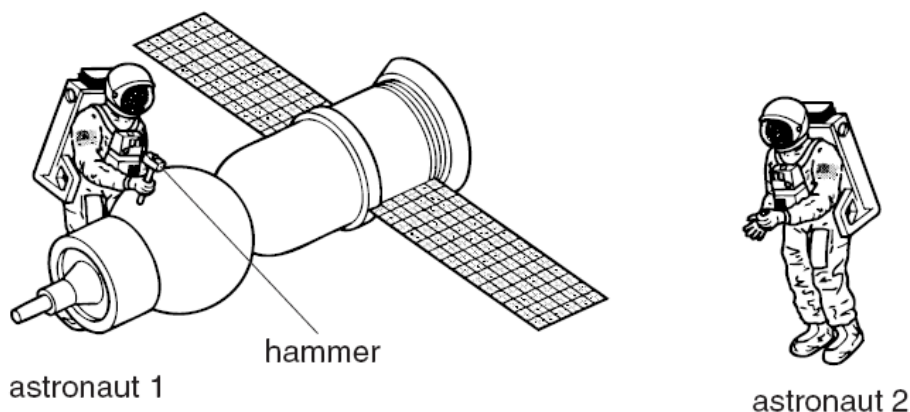


What does this show about sound?

	through a solid	through a vacuum
<b>A</b>	can travel	can travel
<b>B</b>	can travel	cannot travel
<b>C</b>	cannot travel	can travel
<b>D</b>	cannot travel	cannot travel

35. ?

Astronaut 1 uses a hammer to mend a satellite in space. Astronaut 2 is nearby. There is no atmosphere in space.



Compared with the sound heard if they were working on Earth, what does astronaut 2 hear?

- A** no sound at all
- B** a quieter sound
- C** a sound of the same loudness
- D** a louder sound

36. ?

In a test, a car horn is found to be too loud and the pitch of the note is too high. What information does this give about the amplitude and the frequency of the sound wave produced?

	amplitude	frequency
<b>A</b>	too large	too large
<b>B</b>	too large	too small
<b>C</b>	too small	too large
<b>D</b>	too small	too small

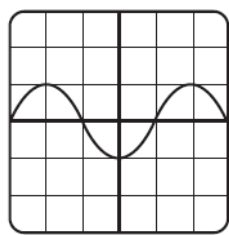
37. ?

Which change would make a sound louder?

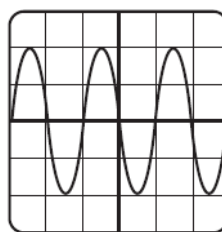
- A** decreasing the amplitude of the wave
- B** increasing the amplitude of the wave
- C** decreasing the wavelength
- D** increasing the wavelength

38. ?

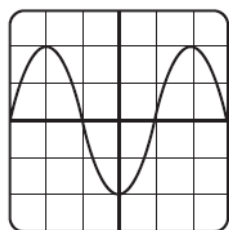
Four sound waves W, X, Y and Z are displayed by an oscilloscope screen. The oscilloscope settings are the same in each case.



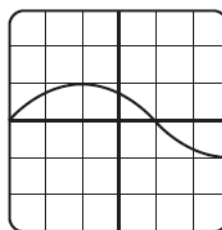
W



X



Y



Z

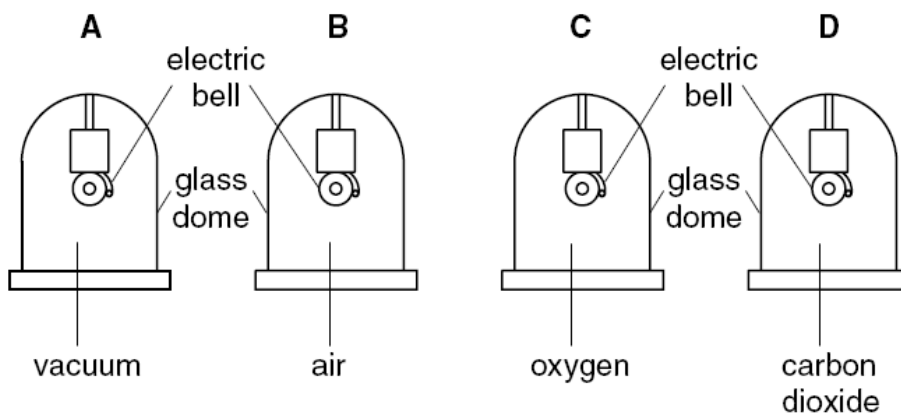
Which two sounds have the same pitch?

- A** W and X
- B** W and Y
- C** X and Y
- D** X and Z

39.

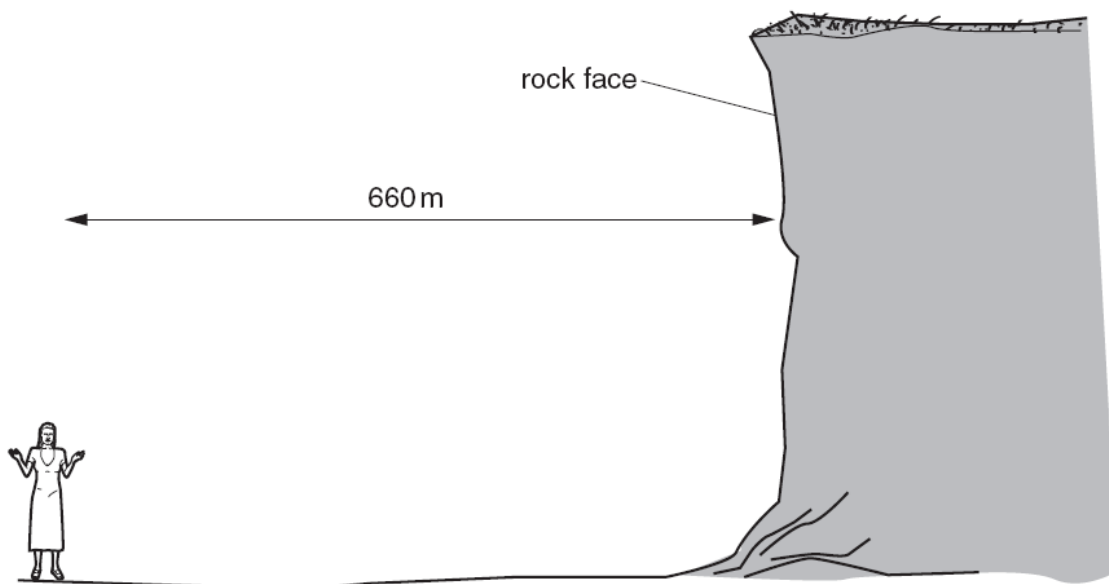
An electric bell is ringing inside a glass dome.

In which situation would the bell sound quietest?



40. ?

A girl stands in front of a rock face.



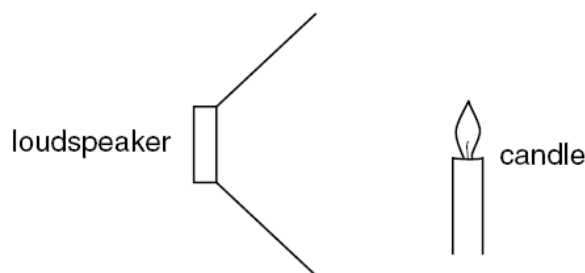
The girl claps her hands once. The speed of sound in air is 330 m / s.

How long is it before she hears the echo?

- A  $\frac{2 \times 660}{330}$  s      B  $\frac{660}{330}$  s      C  $\frac{330}{660}$  s      D  $\frac{330}{2 \times 660}$  s

41. ?

A lighted candle is put in front of a loudspeaker which is making a loud, steady note. The flame vibrates because of the sound wave.

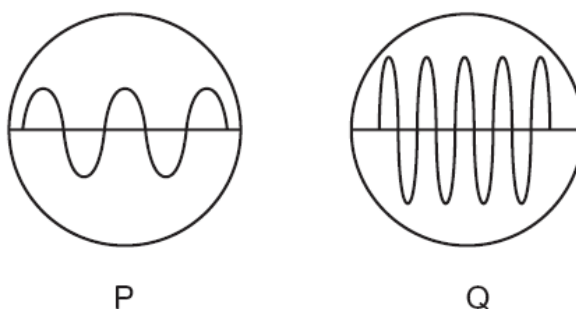


Which type of waves are sound waves and in which direction does the flame vibrate?

	type of wave	direction of vibration
<b>A</b>	longitudinal	
<b>B</b>	transverse	
<b>C</b>	longitudinal	
<b>D</b>	transverse	

42. ?

Two sound waves P and Q are displayed on an oscilloscope with the same time-base and Y-plate settings for each.



Which statement correctly describes the pitch and the loudness of the two sounds?

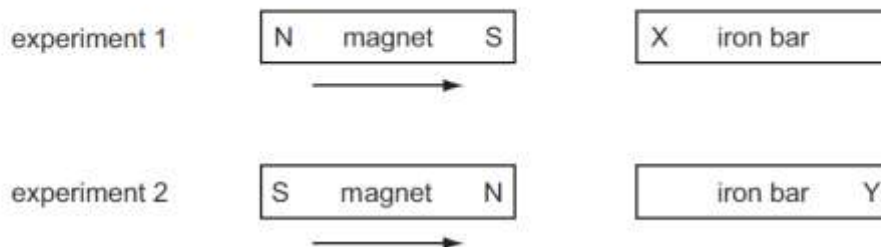
- A** P has a higher pitch and is louder than Q.
- B** P has a higher pitch and is quieter than Q.
- C** P has a lower pitch and is louder than Q.
- D** P has a lower pitch and is quieter than Q.



**Topic 14 – Magnetism**

1.

In two separate experiments, a magnet is brought near to an unmagnetised iron bar. This causes the bar to become magnetised.

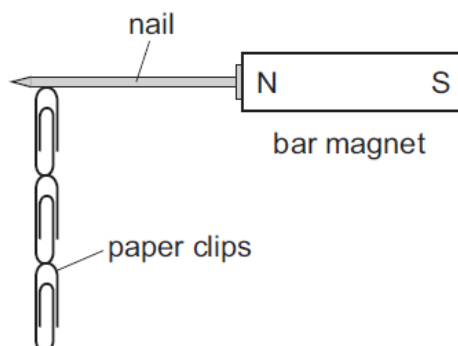


Which magnetic poles are induced at X and at Y?

	pole induced at X	pole induced at Y
<b>A</b>	N	N
<b>B</b>	N	S
<b>C</b>	S	N
<b>D</b>	S	S

2.

Four nails, **A**, **B**, **C** and **D**, are tested to find which makes the strongest permanent magnet.



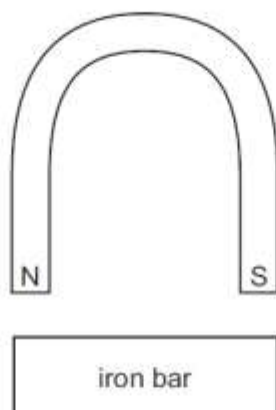
One of the nails is placed against a bar magnet and the number of paper clips which the nail can support is recorded. The bar magnet is then removed and the number of paper clips remaining attached to the nail is recorded. Each nail is tested in turn.

Which nail becomes the strongest permanent magnet?

nail	number of paper clips attached to the nail	
	bar magnet present	bar magnet removed
<b>A</b>	2	0
<b>B</b>	2	1
<b>C</b>	4	3
<b>D</b>	5	2

3.

A horseshoe magnet is brought near to an unmagnetised iron bar.



Which row in the table shows the magnetic poles induced in the iron bar and the direction of the forces between the bar and the magnet?

	magnetic poles induced in iron bar	force between iron bar and magnet
<b>A</b>	N                      S	attraction
<b>B</b>	N                      S	repulsion
<b>C</b>	S                      N	attraction
<b>D</b>	S                      N	repulsion

4.

Which test could be used to find which end of a magnet is the north pole?

- A putting it near a compass needle
- B putting it near a ferrous metal
- C putting it near a non-ferrous metal
- D putting it near a steel spoon

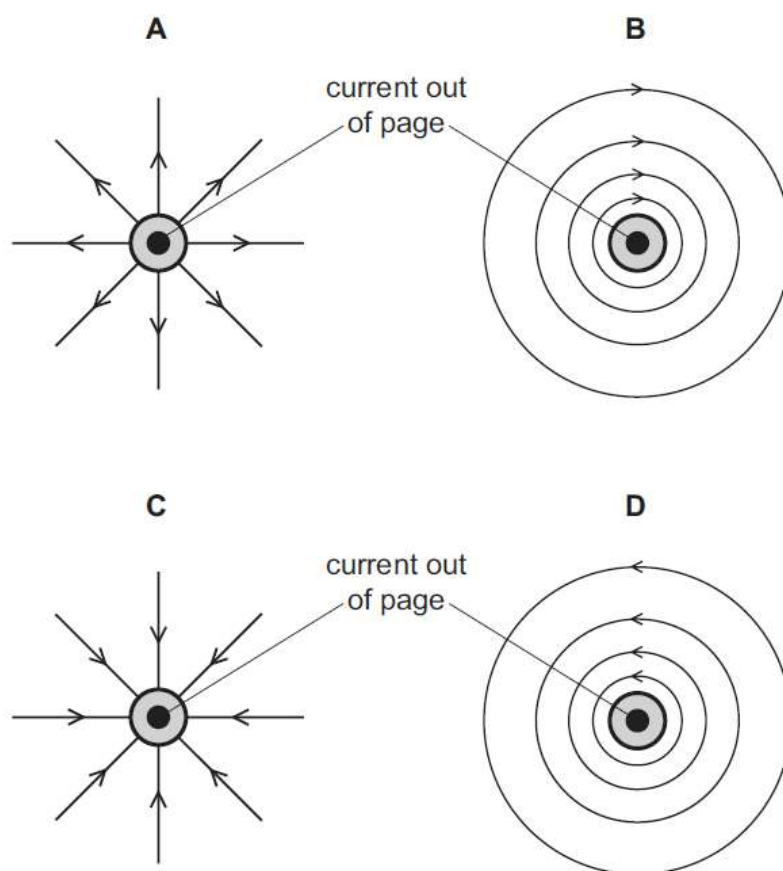
5.

Which statement about a magnet is **not** correct?

- A It can attract another magnet.
- B It can attract an unmagnetised piece of iron.
- C It can repel another magnet.
- D It can repel an unmagnetised piece of iron.

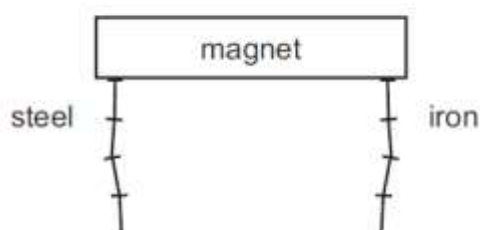
6.

Which diagram represents the direction of the magnetic field around a straight wire carrying a current out of the page?



7.

A chain of steel nails and a chain of iron nails hang from a strong magnet. The chains are then carefully removed from the magnet.

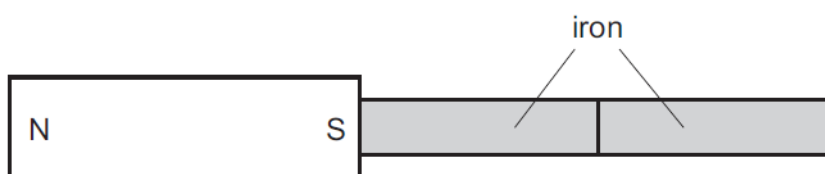


What happens to the chains?

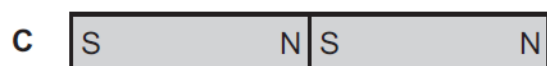
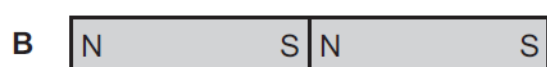
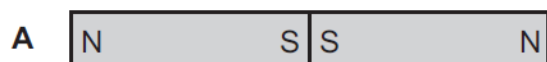
- A Both chains fall apart.
- B Both chains stay together.
- C Only the chain of iron nails falls apart.
- D Only the chain of steel nails falls apart.

8.

A magnet attracts two pieces of iron.

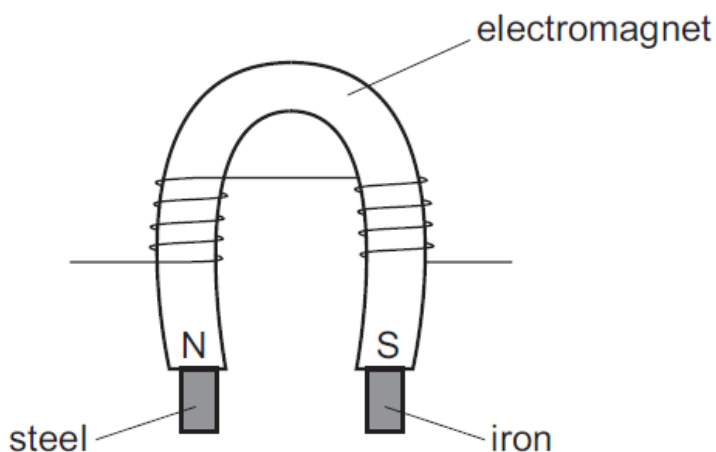


What is the arrangement of the induced poles in the pieces of iron?



9.

A piece of iron and a piece of steel are picked up by an electromagnet as shown.



The current to the electromagnet is switched off.

What happens?

A Both the iron and the steel remain magnetised.

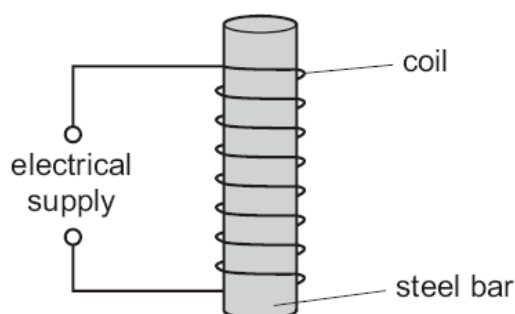
B Neither the iron nor the steel remain magnetised.

C Only the iron remains magnetised.

D Only the steel remains magnetised.

10.

A student wishes to demagnetise a steel bar. He uses the apparatus shown.

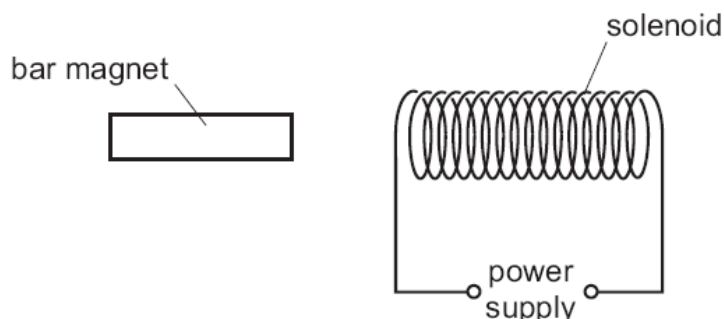


Which type of electrical supply should the student use and what should he do with the steel bar?

	supply	what to do with the steel bar
<b>A</b>	a.c.	keep it inside the coil
<b>B</b>	a.c.	slowly remove it from the coil
<b>C</b>	d.c.	keep it inside the coil
<b>D</b>	d.c.	slowly remove it from the coil

11.

A solenoid carrying a current is used to demagnetise a bar magnet.



Which conditions achieve demagnetisation?

	current through solenoid	movement of bar magnet
<b>A</b>	a.c.	around the solenoid quickly
<b>B</b>	a.c.	through the solenoid slowly
<b>C</b>	d.c.	around the solenoid quickly
<b>D</b>	d.c.	through the solenoid slowly

12.

Which line in the table shows whether iron and steel are ferrous or non-ferrous materials?

	iron	steel
<b>A</b>	ferrous	ferrous
<b>B</b>	ferrous	non-ferrous
<b>C</b>	non-ferrous	ferrous
<b>D</b>	non-ferrous	non-ferrous

13.

Which materials are suitable for making a permanent magnet and the core of an electromagnet?

	permanent magnet	core of an electromagnet
<b>A</b>	iron	iron
<b>B</b>	iron	steel
<b>C</b>	steel	iron
<b>D</b>	steel	steel

14.

Two metal bars are held together. At least one of the bars is a magnet. The bars repel each other.

What does this show about the bars and why?

	what it shows	why
<b>A</b>	only one of the bars is a magnet	two magnets always attract each other
<b>B</b>	only one of the bars is a magnet	induced magnetism in the other bar makes it repel
<b>C</b>	they are both magnets	there must be like poles facing each other
<b>D</b>	they are both magnets	there must be opposite poles facing each other

15.

Small particles of metal are scattered near a bar magnet to show the pattern of the magnetic field.

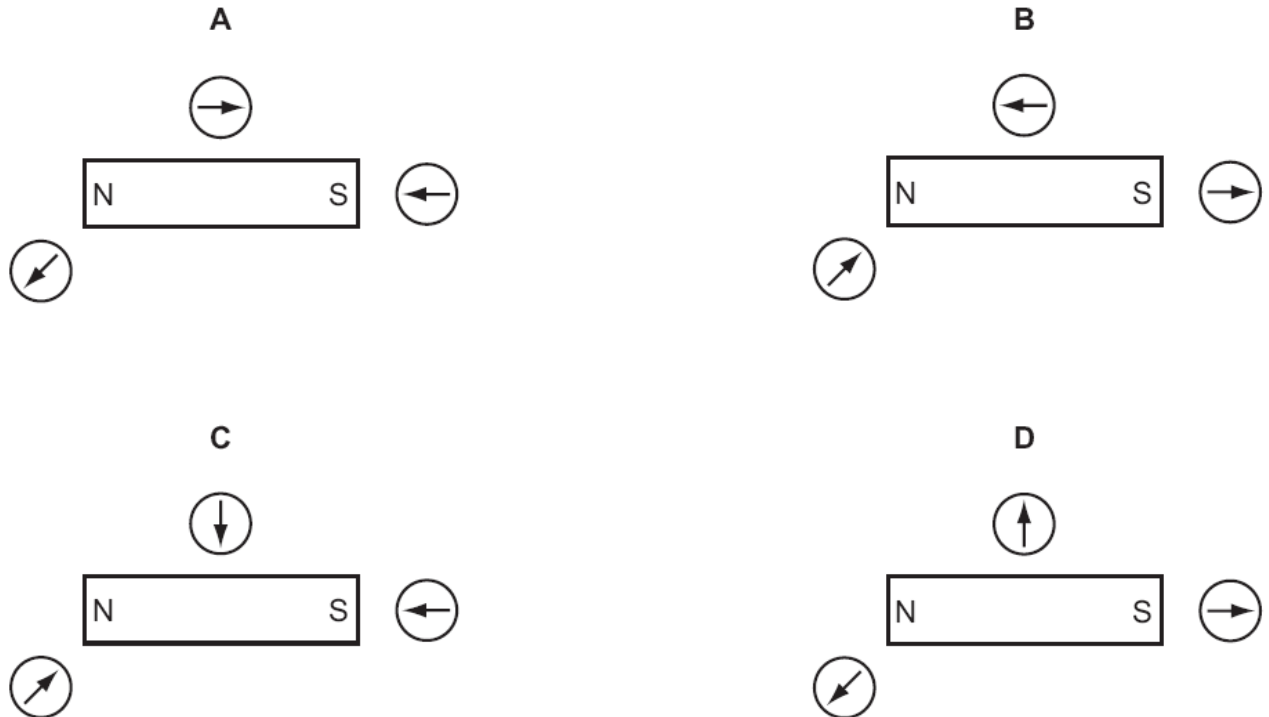
Which metal is suitable?

- A** aluminium
- B** brass
- C** copper
- D** iron

16.

A student uses three small plotting compasses to investigate the magnetic field around a bar magnet.

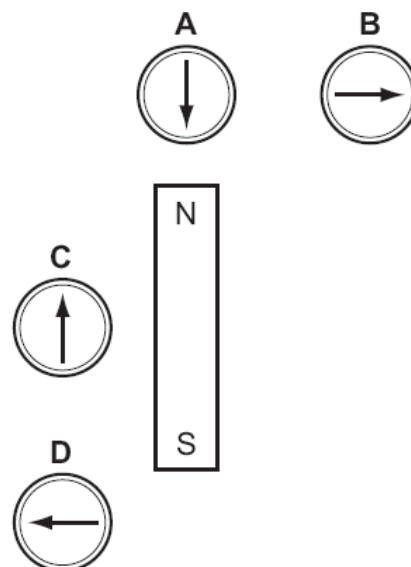
Which diagram shows the directions in which the compass needles point?



17.

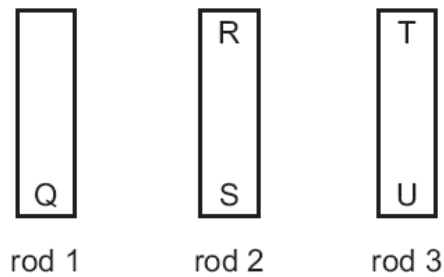
Four plotting compasses are placed near a bar magnet.

Which plotting compass is shown pointing in the correct direction?



18.

The ends of three metal rods are tested by holding end Q of rod 1 close to the others in turn



The results are as follows.

End Q: attracts end R,  
 attracts end S,  
 attracts end T,  
 repels end U.

Which of the metal rods is a magnet?

- A rod 1 only
- B rod 1 and rod 2 only
- C rod 1 and rod 3 only
- D rod 3 only

19.

A student investigates which end of a magnetic compass needle is attracted to a bar magnet.

What does the investigation show?

- A Both ends of the compass needle are attracted by the north pole of the magnet.
- B Both ends of the compass needle are attracted by the south pole of the magnet.
- C One end of the compass needle is attracted by the north pole and the other end by the south pole.
- D The compass needle is not attracted by either end of the magnet.

20.

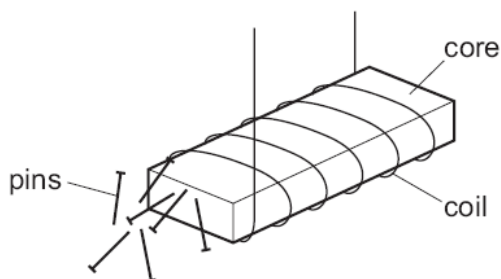
From which materials are the coil and the core of an electromagnet made?

	coil	core
A	copper	copper
B	copper	iron
C	iron	copper
D	iron	iron



21.

A strong electromagnet is used to attract pins.

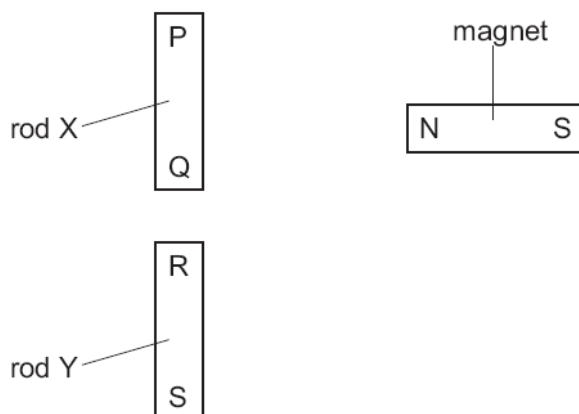


What happens when the current in the coil is halved?

- A No pins are attracted.
- B Fewer pins are attracted.
- C The same number of pins is attracted.
- D Many more pins are attracted.

22.

Two rods X and Y look the same.



The N pole of a magnet is brought close, in turn, to each end of both rods. The results of these four actions are shown in the table.

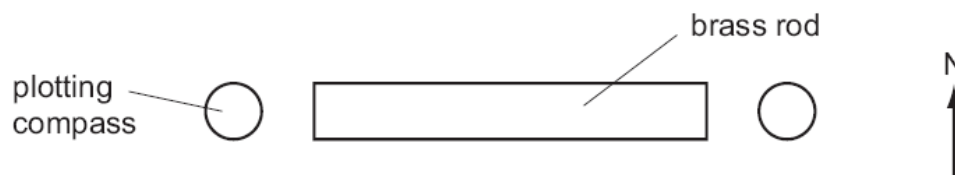
end tested	result
P	attraction
Q	attraction
R	attraction
S	repulsion

Which of the rods is a permanent magnet?

- A neither of the rods
- B both of the rods
- C rod X only
- D rod Y only

23.

A brass rod is positioned in an east-west direction and a plotting compass is placed at each end.

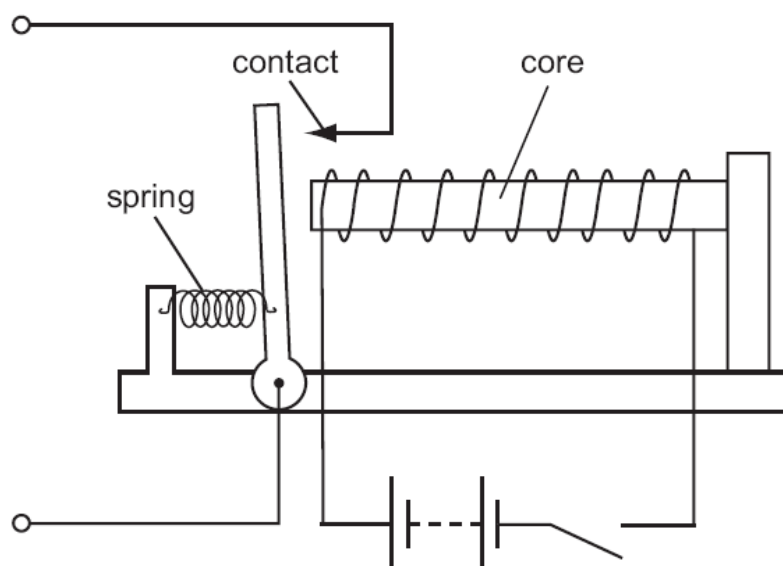


Which diagram shows the positions of the needles of the plotting compasses?

- A
- B
- C
- D

24.

A student sets up the apparatus shown in order to make a relay.



Which metal should be used to make the core?

- A aluminium
- B copper
- C iron
- D steel

25.

How many of the following methods could be used to demagnetise a piece of steel?

heating it until it is red hot

pulling it from a coil that is carrying an alternating current

placing it in an east-west direction and hammering it

putting it in a coil which is carrying a direct current

A 1

B 2

C 3

D 4

26.

How can a permanent magnet be demagnetised?

A cool the magnet for a long time

B hit the magnet repeatedly with a hammer

C leave the magnet in a coil which carries direct current

D pass a small current through the magnet

27.

A student carries out four tests with a magnet.

Which result shown is **not** correct?

	arrangement		result
A	S magnet N	iron bar	attracts
B	S magnet N	S magnet N	attracts
C	N magnet S	copper bar	no effect
D	N magnet S	N magnet S	repels

28.

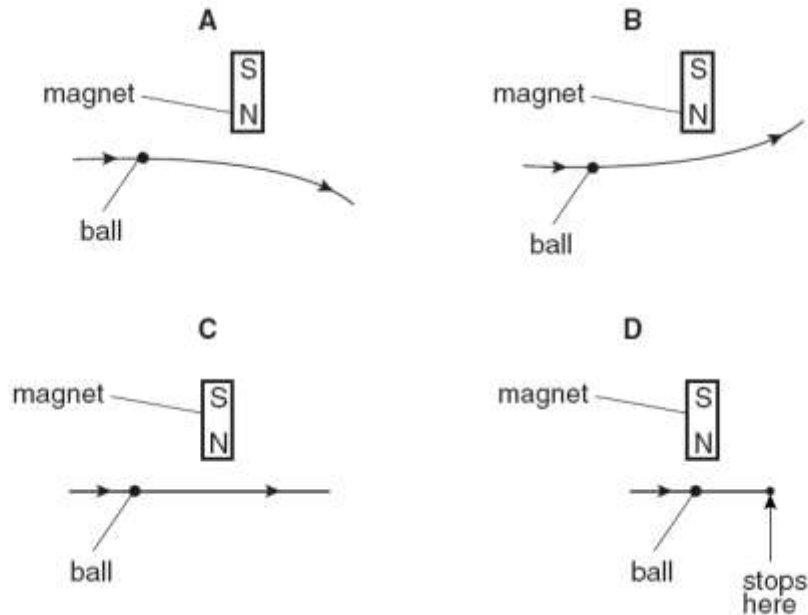
Which materials are suitable to make a permanent magnet and the core of an electromagnet?

	permanent magnet	core of an electromagnet
A	iron	iron
B	iron	steel
C	steel	iron
D	steel	steel

29.

A steel ball on a horizontal wooden table rolls near the north pole of a bar magnet that is lying on the table.

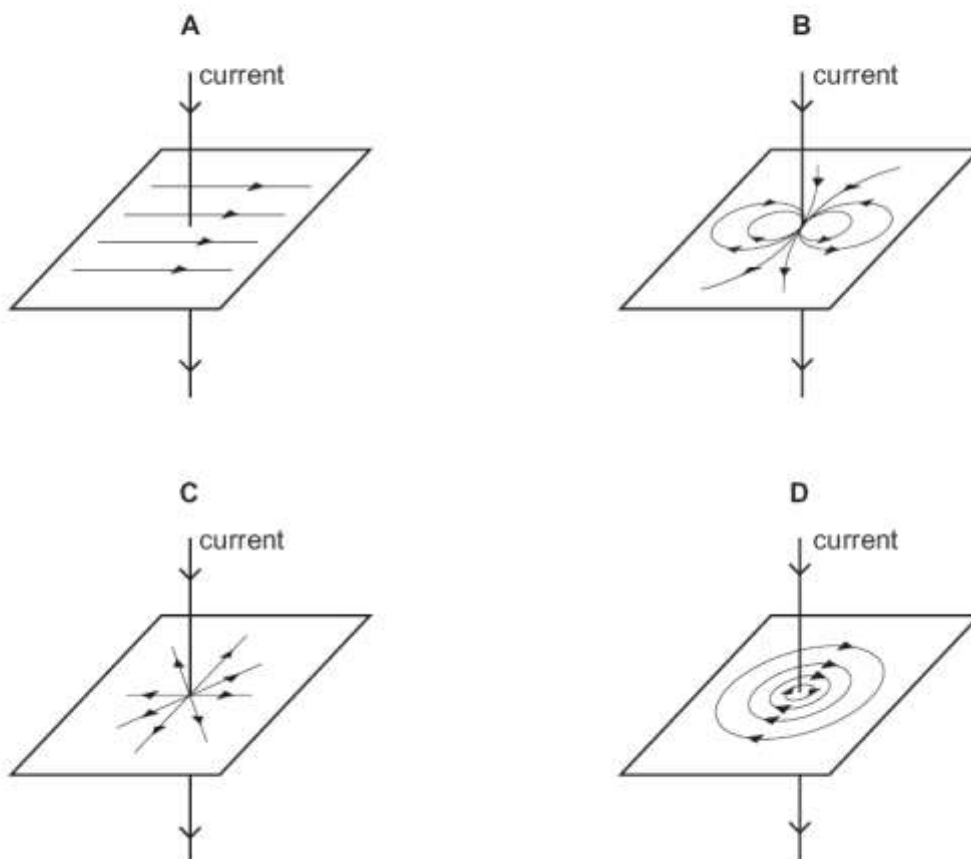
Which diagram shows the most likely path of the ball, as seen from above the table?



30.

A straight wire carrying a current produces a magnetic field.

Which diagram shows the correct shape of the field?



**Topic 15.1 – Electricity-Static**

1.

A polythene rod repels an inflated balloon hanging from a nylon thread.

What charges must the rod and the balloon carry?

- A The rod and the balloon carry opposite charges.
- B The rod and the balloon carry like charges.
- C The rod is charged but the balloon is not.
- D The balloon is charged but the rod is not.

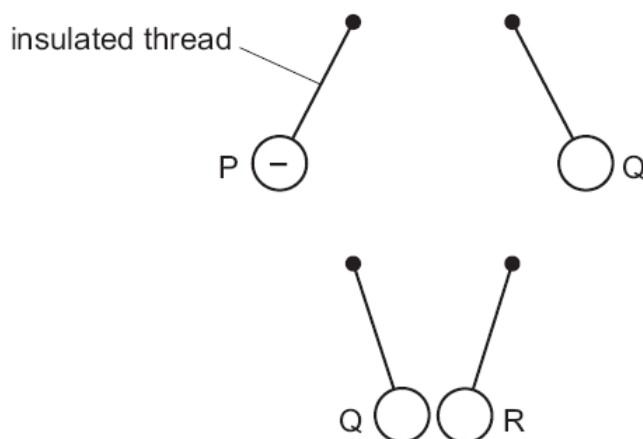
2.

Which particle does **not** experience a force due to an electric field?

- A  $\alpha$ -particle
- B electron
- C neutron
- D proton

3.

Three charged balls, P, Q and R, are suspended by insulated threads. Ball P is negatively charged.

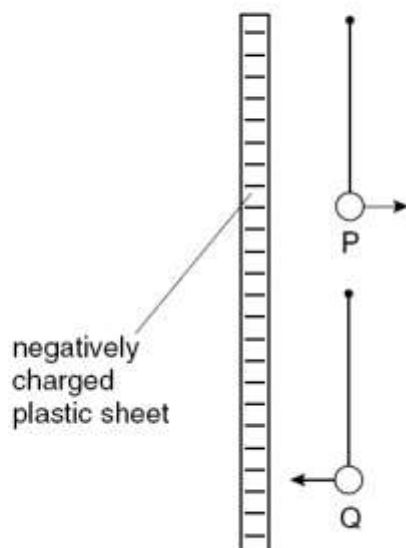


What are the charges on Q and on R?

	Q	R
A	positive	positive
B	positive	negative
C	negative	positive
D	negative	negative

4.

Two very light, charged balls P and Q are hung, one above the other, from nylon threads. When a negatively charged plastic sheet is placed alongside them, P is repelled and Q is attracted.



What are the original charges on P and on Q?

	charge on P	charge on Q
<b>A</b>	negative	negative
<b>B</b>	negative	positive
<b>C</b>	positive	negative
<b>D</b>	positive	positive

5.

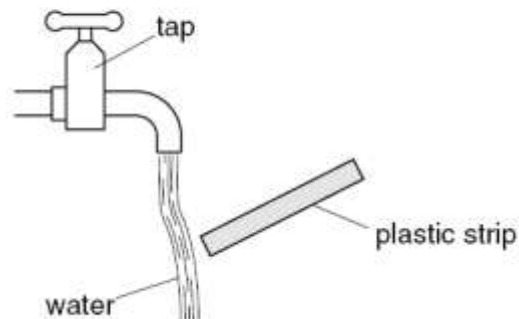
A plastic rod is rubbed with a dry cloth and becomes positively charged.

Why has the rod become positively charged?

- A** It has gained electrons.
- B** It has gained neutrons.
- C** It has lost electrons.
- D** It has lost neutrons.

6.

A plastic strip is rubbed on a piece of cloth and then held near water running slowly from a tap. The water moves towards the plastic strip.



Why does this happen?

- A The plastic strip cools the water.
- B The plastic strip warms the water.
- C There is a magnetic force on the water.
- D There is an electrostatic force on the water.

7.

When a plastic comb is placed next to a small piece of aluminium foil hanging from a nylon thread, the foil is repelled by the comb.

Why is this?

- A The comb is charged and the foil is uncharged.
- B The comb is uncharged and the foil is charged.
- C The comb and the foil have charge of opposite signs.
- D The comb and the foil have charge of the same sign.

**Topic 15.2 – Electricity-Circuits**

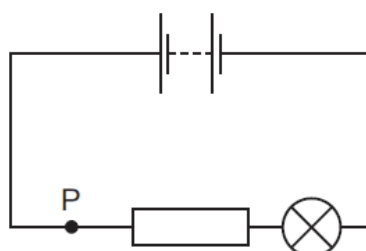
1.

Which symbols are used for the units of current and of resistance?

	unit of current	unit of resistance
<b>A</b>	A	W
<b>B</b>	A	$\Omega$
<b>C</b>	C	W
<b>D</b>	C	$\Omega$

2.

The diagram shows a lamp in a circuit.



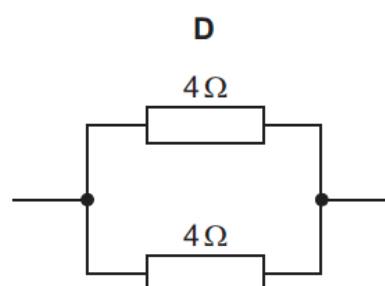
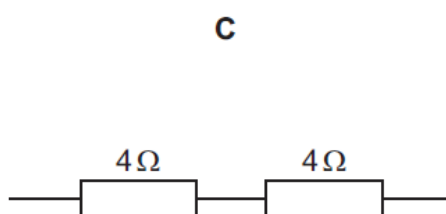
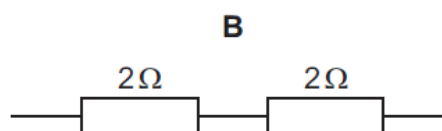
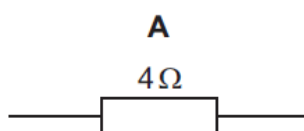
Which change to the circuit would increase the current in the lamp?

- A** adding another resistor in parallel with the one in the circuit
- B** adding another resistor in series with the one in the circuit
- C** decreasing the electromotive force (e.m.f.) of the battery in the circuit
- D** moving the lamp to point P in the circuit

3.

The diagrams show four arrangements of resistors.

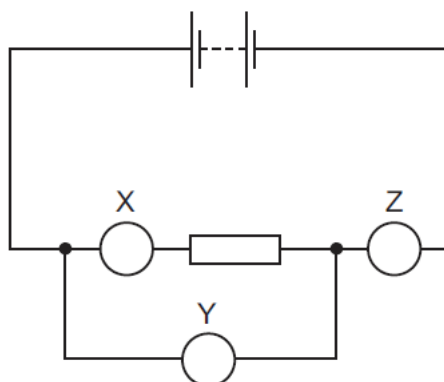
Which arrangement has the **smallest** total resistance?





4.

The diagram shows an electric circuit containing three meters, X, Y and Z, all connected correctly.

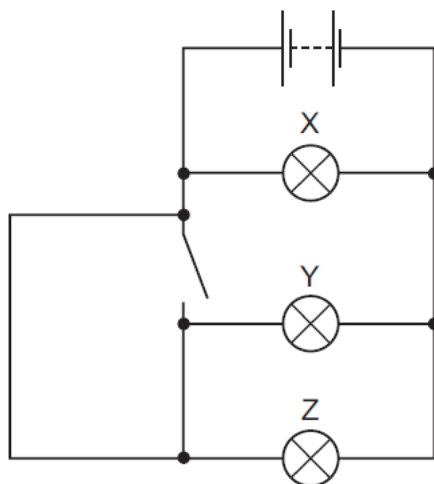


What are meters X, Y and Z?

	X	Y	Z
<b>A</b>	ammeter	ammeter	ammeter
<b>B</b>	ammeter	voltmeter	ammeter
<b>C</b>	voltmeter	ammeter	voltmeter
<b>D</b>	voltmeter	voltmeter	voltmeter

5.

A student sets up the circuit shown. The switch is open (off).

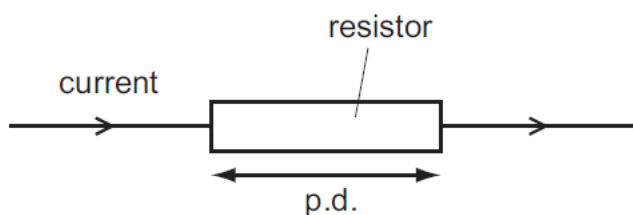


Which lamps are on and which lamps are off?

	lamp X	lamp Y	lamp Z
<b>A</b>	off	off	off
<b>B</b>	on	off	off
<b>C</b>	on	off	on
<b>D</b>	on	on	on

6.

A potential difference (p.d.) across a resistor causes a current in it.



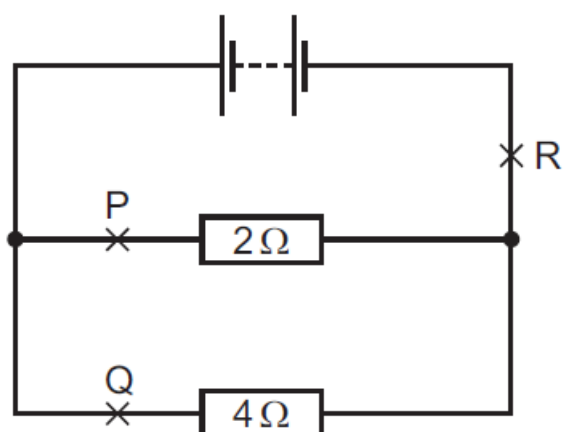
The p.d. and the resistance of the resistor can both be changed.

Which row shows two changes that will **both** increase the current in the resistor?

	change	change
<b>A</b>	decrease p.d.	decrease resistance
<b>B</b>	decrease p.d.	increase resistance
<b>C</b>	increase p.d.	decrease resistance
<b>D</b>	increase p.d.	increase resistance

7.

A circuit contains two resistors connected in parallel with a battery.

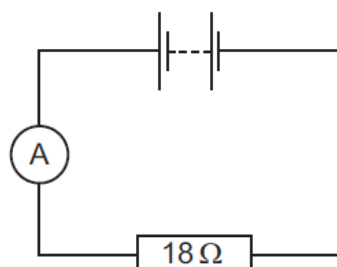


Which of the following statements about the currents at P, Q and R is true?

- A** The current at P is the greatest.
- B** The current at Q is the greatest.
- C** The current at R is the greatest.
- D** The current is the same at points P, Q and R.

8.

An ammeter and an  $18\ \Omega$  resistor are connected in series with a battery. The reading on the ammeter is  $0.50\text{ A}$ . The resistance of the battery and the ammeter can be ignored.

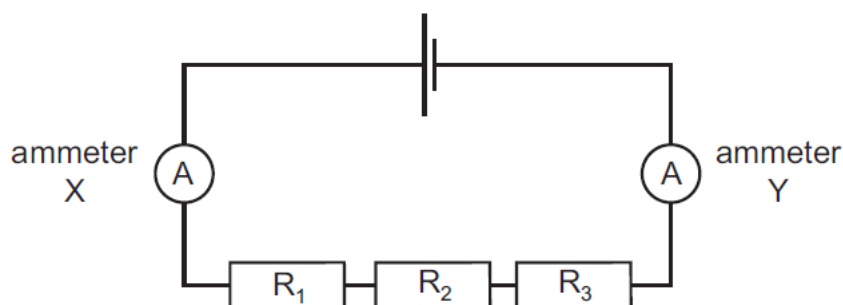


What is the electromotive force (e.m.f.) of the battery?

- A** 9.0 N      **B** 9.0 V      **C** 36 N      **D** 36 V

9.

The diagram shows a circuit containing two ammeters and three resistors.



Which of the ammeters will show the current in resistor  $R_2$ ?

- A** ammeter X only  
**B** ammeter Y only  
**C** both ammeter X and ammeter Y  
**D** neither ammeter X nor ammeter Y

10.

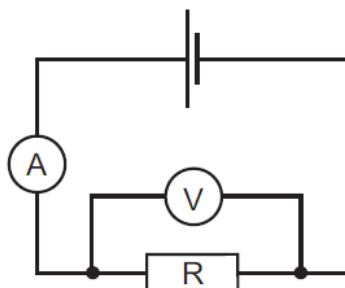
The table shows the lengths and diameters of four copper wires.

Which wire has the **least** resistance?

	length/m	diameter/mm
<b>A</b>	0.50	1.0
<b>B</b>	0.50	2.5
<b>C</b>	0.75	1.0
<b>D</b>	0.75	2.5

11.

A circuit is set up to measure the resistance of a resistor R. The meter readings are 2.0 A and 3.0 V.



What is the resistance of the resistor R?

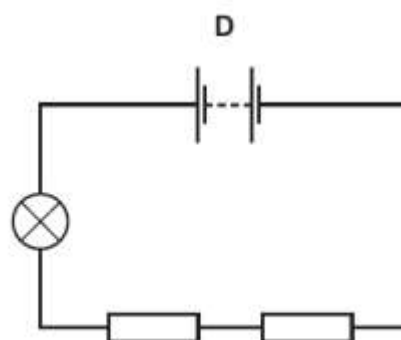
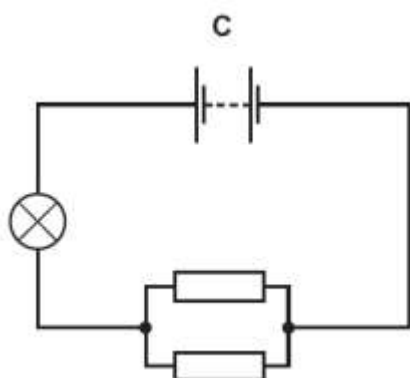
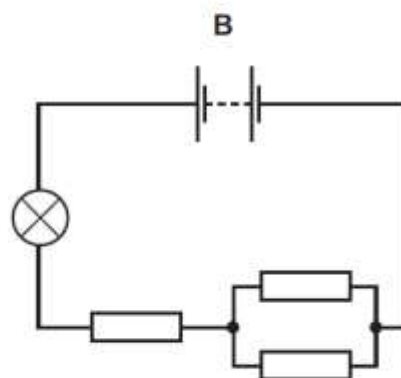
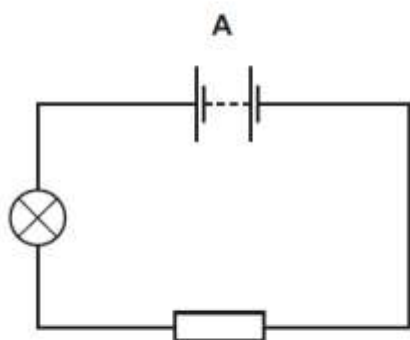
- A**  $0.67 \Omega$       **B**  $1.5 \Omega$       **C**  $5.0 \Omega$       **D**  $6.0 \Omega$

12.

A lamp is connected in four circuits in turn, each using identical batteries.

The resistors are all identical.

In which circuit will the lamp be brightest?



13.

A pupil measures the potential difference across a device and the current in it.

Which calculation gives the resistance of the device?

- A current + potential difference
- B current  $\div$  potential difference
- C potential difference  $\div$  current
- D potential difference  $\times$  current

14.

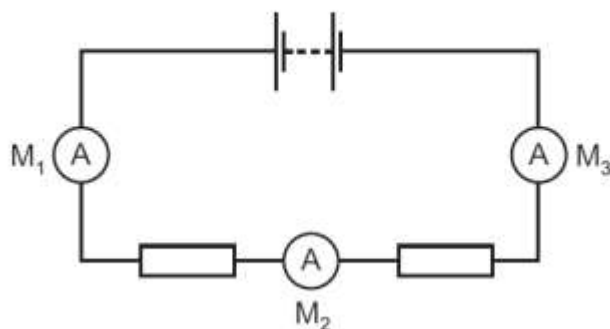
A student uses a length of wire as a resistor. He discovers that the resistance of the wire is too small.

To be certain of making a resistor of higher value, he should use a piece of wire that is

- A longer and thicker.
- B longer and thinner.
- C shorter and thicker.
- D shorter and thinner.

15.

The diagram shows a battery connected to two identical resistors. Three ammeters  $M_1$ ,  $M_2$  and  $M_3$  are connected in the circuit.



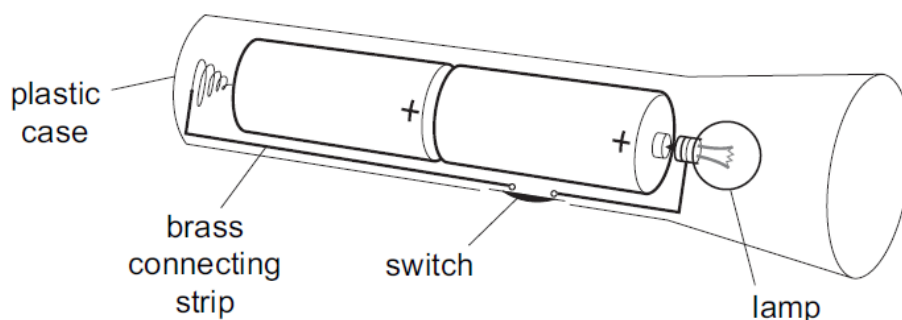
Meter  $M_1$  reads 1.0 A.

What are the readings on  $M_2$  and on  $M_3$ ?

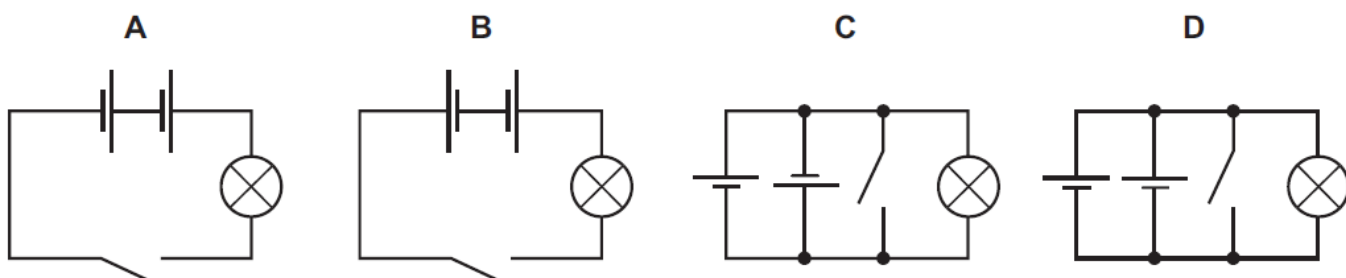
	reading on $M_2$ /A	reading on $M_3$ /A
<b>A</b>	0.5	0.0
<b>B</b>	0.5	0.5
<b>C</b>	0.5	1.0
<b>D</b>	1.0	1.0

16.

The diagram shows a torch containing two cells, a switch and a lamp.

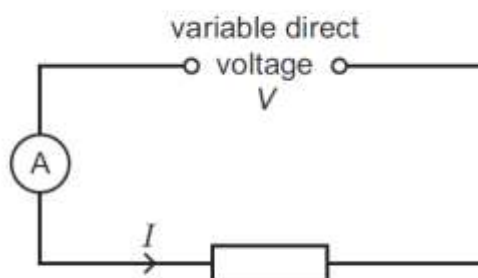


What is the circuit diagram for the torch?

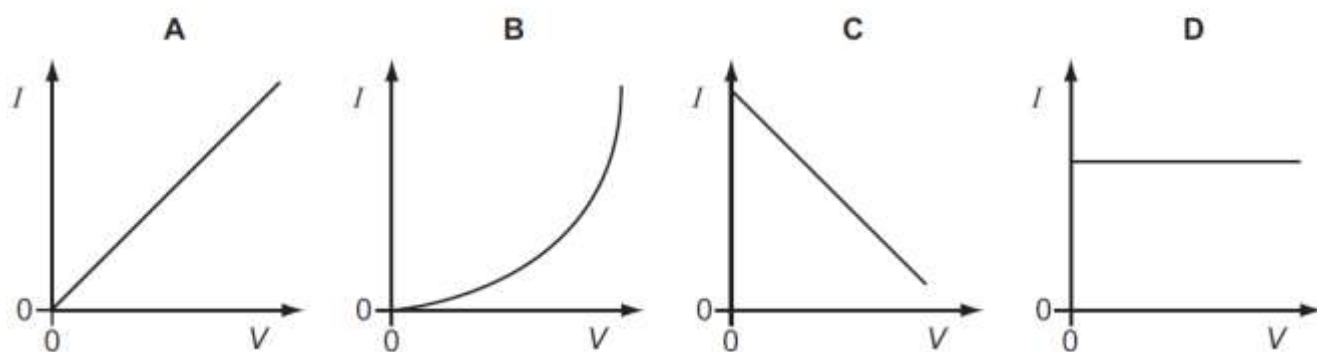


17.

B Using the circuit shown, the current  $I$  is found for various voltages  $V$ . The temperature of the resistor does not change.



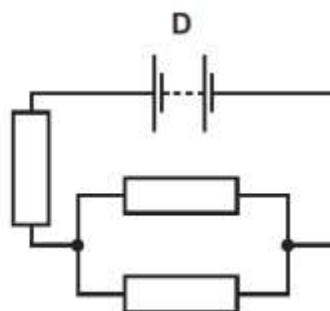
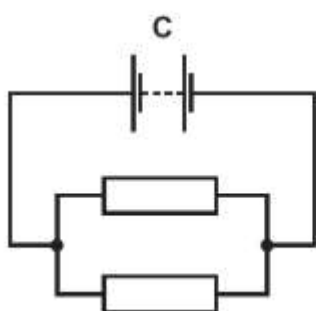
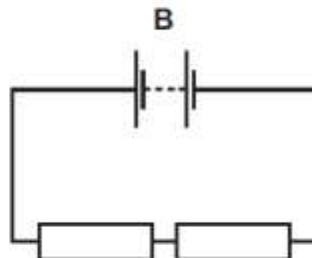
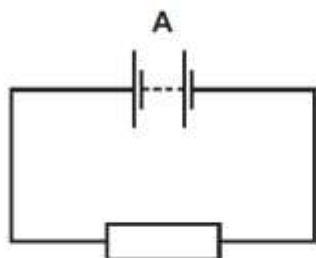
Which graph shows the results obtained?



18.

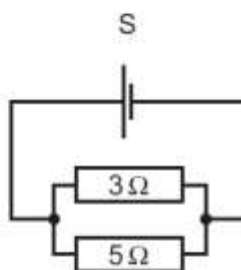
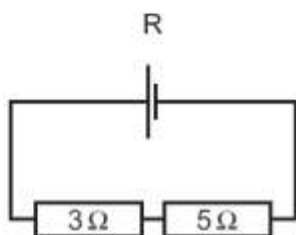
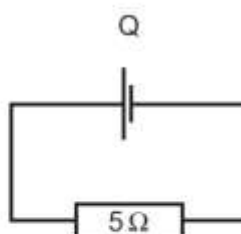
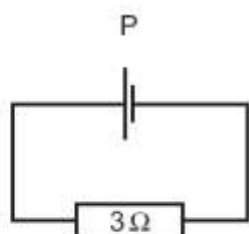
In the circuits shown, all the resistors are identical.

Which circuit has the **least** resistance?



19.

The diagram shows four different circuits.

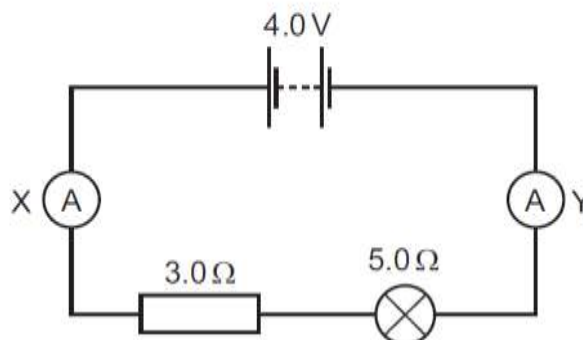


What is the order of increasing resistance of these circuits?

	lowest resistance	→	highest resistance	
<b>A</b>	P		Q	R S
<b>B</b>	R		S	P Q
<b>C</b>	S		P	Q R
<b>D</b>	P		R	Q S

20.

In the circuit shown, ammeter X reads 0.5 A.



What does ammeter Y read?

- A** 0                      **B** 0.5A                      **C** 3.5A                      **D** 4.0A

21. ?

Two different systems are used to transmit equal amounts of electrical power from one building to another.

One system uses low voltage and the other uses high voltage. Both systems use identical wires.

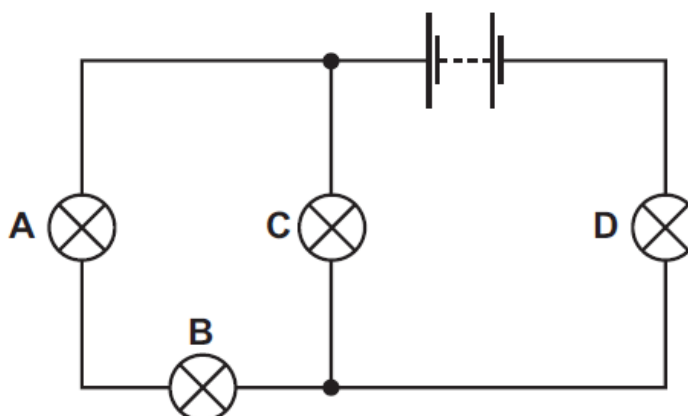
Which line in the table is correct about which system wastes least energy and why?

	least energy wasted	why
<b>A</b>	high voltage system	the current in the wires is bigger
<b>B</b>	high voltage system	the current in the wires is smaller
<b>C</b>	low voltage system	the current in the wires is bigger
<b>D</b>	low voltage system	the current in the wires is smaller

22.

In the circuit below, one of the lamps breaks, causing all the other lamps to go out.

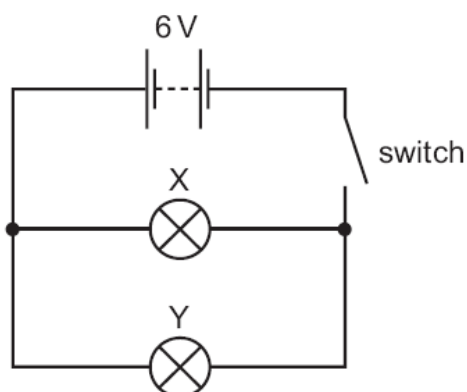
Which lamp breaks?





23.

In the circuit below, X and Y are identical 6V lamps.

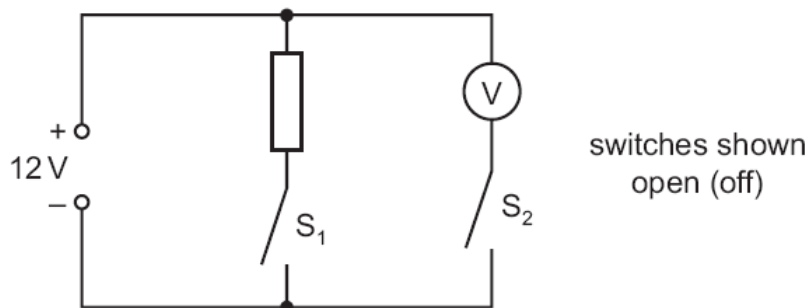


What happens when the switch is closed (the current is switched on)?

- A X lights more brightly than Y.
- B Y lights more brightly than X.
- C X and Y both light with full brightness.
- D X and Y both light with half brightness.

24.

In the circuit shown, the switches  $S_1$  and  $S_2$  may be open (off) or closed (on).

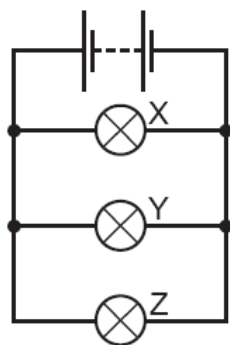


Which line in the table shows the voltmeter reading for the switch positions given?

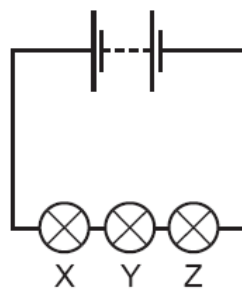
	$S_1$	$S_2$	voltmeter reading / V
<b>A</b>	open	open	12
<b>B</b>	closed	closed	12
<b>C</b>	open	closed	0
<b>D</b>	closed	open	12

25.

The diagrams show two ways in which three lamps may be connected.



circuit 1



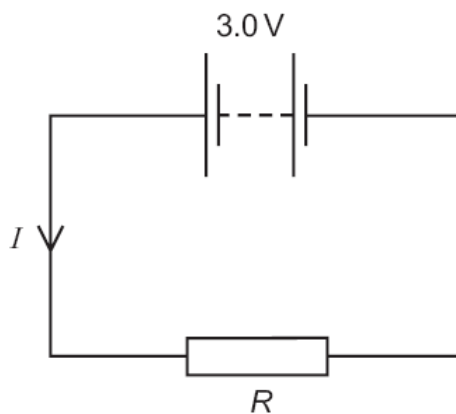
circuit 2

Which statement is correct?

- A If lamp Y breaks in circuit 1, both the other lamps will go out.
- B If lamp Y breaks in circuit 2, both the other lamps will go out.
- C If lamp Y breaks in circuit 1, lamp Z will go out, but lamp X will remain on.
- D If lamp Y breaks in circuit 2, lamp Z will go out, but lamp X will remain on.

26.

The circuit shows a current  $I$  in a resistor of resistance  $R$ .



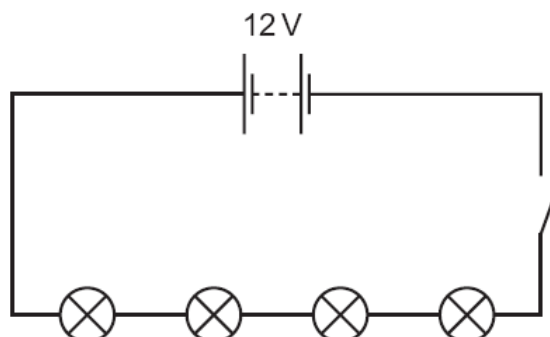
Which line gives possible values of  $I$  and of  $R$ ?

	$I/A$	$R/\Omega$
<b>A</b>	1.5	1.5
<b>B</b>	1.5	2.0
<b>C</b>	6.0	2.0
<b>D</b>	4.0	12.0

27.

Four lamps are connected in a circuit as shown in the diagram.

Each lamp is designed to operate at 12 V.



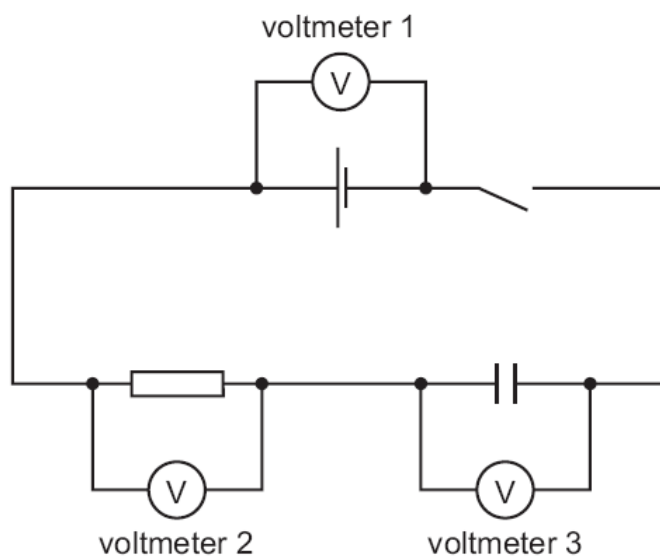
The circuit is now switched on.

Which statement is correct?

- A Each lamp can be switched off independently.
- B If one lamp breaks all the others will stay alight.
- C The current is the same in all the lamps.
- D The lamps will all light at normal brightness.

28.

In the circuit shown, the switch is closed for a long time, then opened.



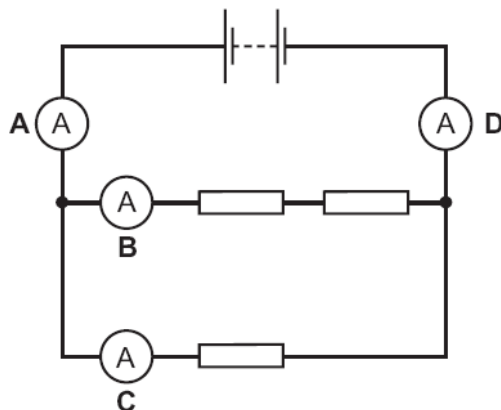
Immediately after the switch is opened, which voltmeters will read zero?

- A voltmeter 1 only
- B voltmeter 2 only
- C voltmeter 3 only
- D voltmeter 1, voltmeter 2 and voltmeter 3

29.

The diagram shows a battery connected to three identical resistors. Four ammeters **A**, **B**, **C** and **D** are connected in the circuit.

Which ammeter shows the smallest reading?



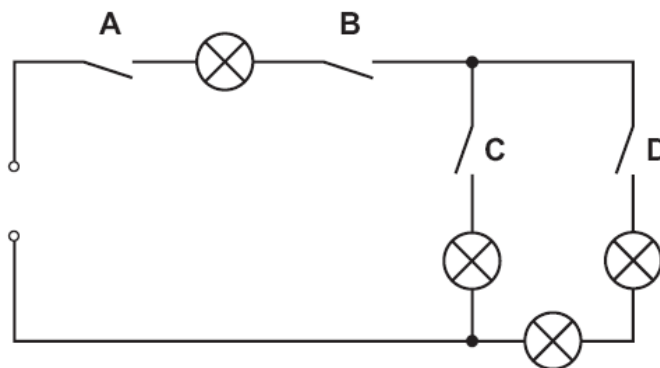
30.

Four lamps and four switches are connected to a power supply as shown in the circuit diagram.

When all the switches are closed, all the lamps are lit.

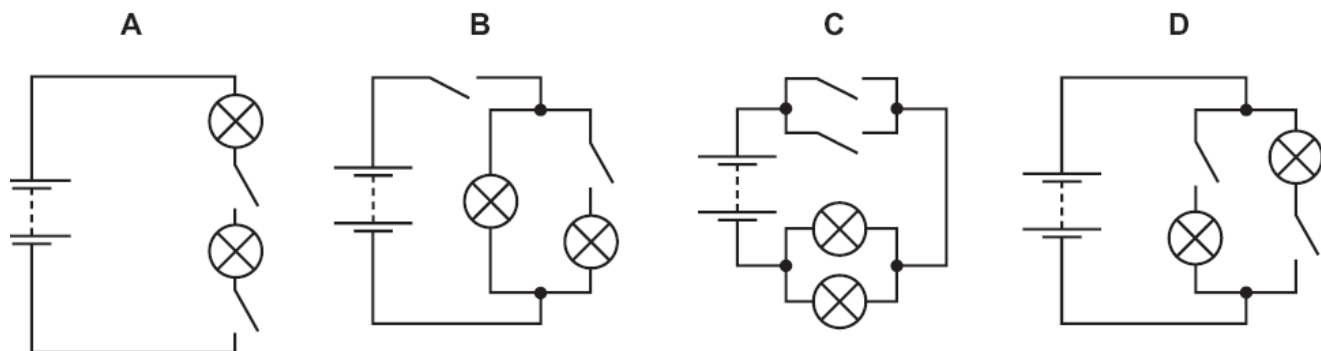
When one of the switches is then opened, only **one** lamp goes out.

Which switch is opened?



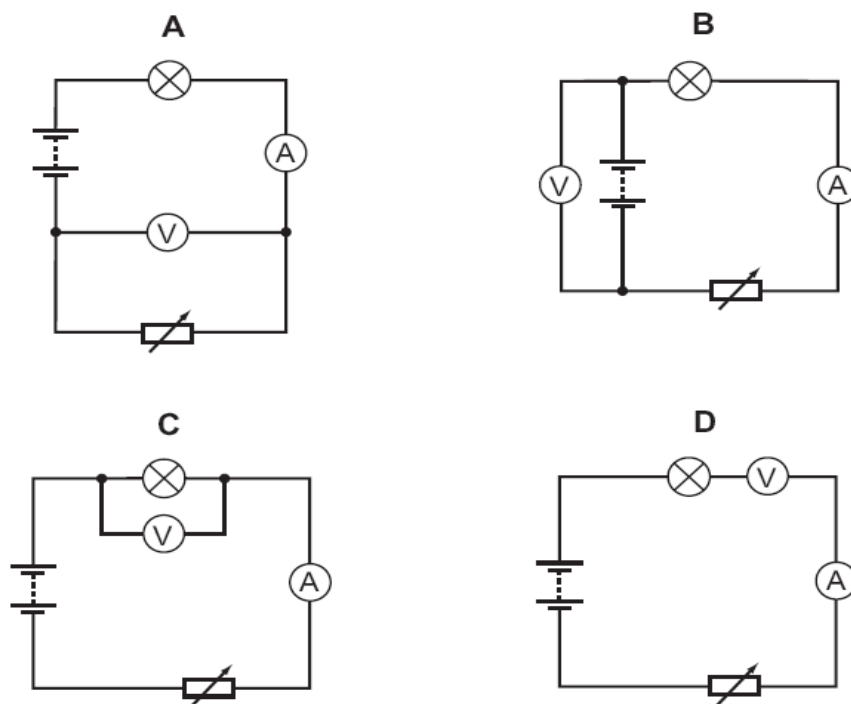
31.

Which diagram shows a circuit that will allow the lamps to be switched on and off independently?



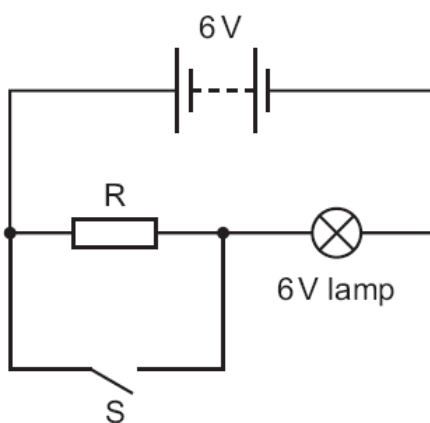
32.

Which circuit should be used to find the resistance of a lamp?



33. ?

When the circuit shown is connected with switch S open, the 6V lamp glows.



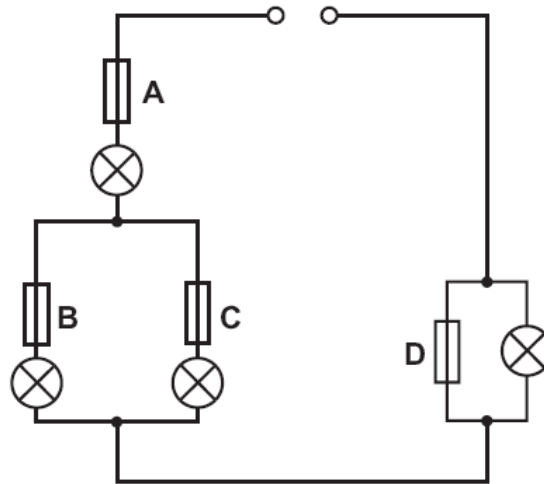
What happens to the brightness of the lamp when switch S is closed?

- A It becomes brighter.
- B It remains the same.
- C It becomes dimmer.
- D It goes off.

34.

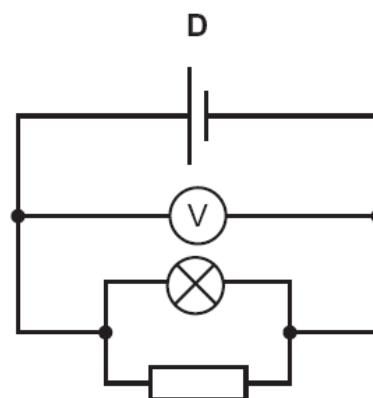
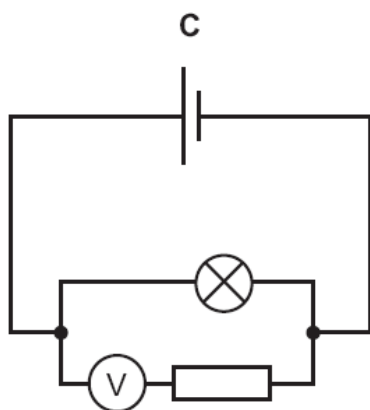
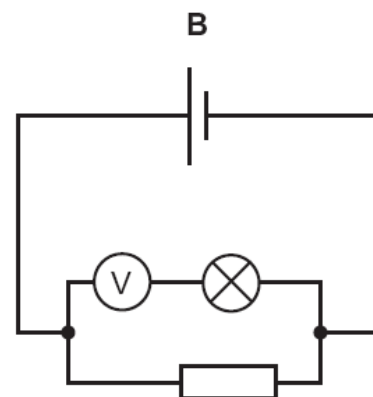
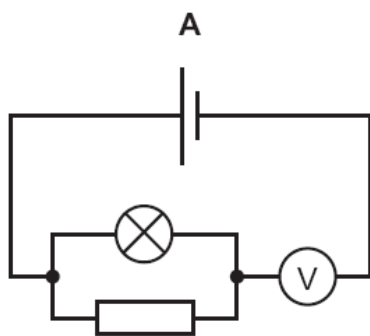
In the circuit shown, one of the fuses blows and all the lamps go out.

Which fuse blows?



35.

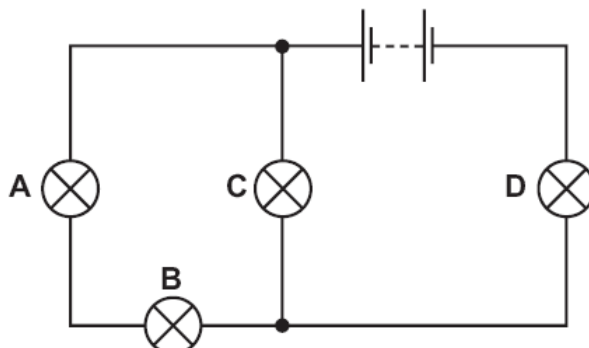
In which circuit does the voltmeter read the potential difference across the lamp?



36.

In the circuit below, one of the lamps breaks, causing all the other lamps to go out.

Which lamp breaks?



37.

A student wishes to measure the electromotive force (e.m.f.) of a battery and the potential difference (p.d.) across a resistor.

She has the resistor, the battery and some connecting wires.

What else does she need?

- A a voltmeter only
- B an ammeter only
- C an ammeter and a voltmeter
- D a force meter (newton meter) and a voltmeter

38.

Four wires are made from the same material.

Which wire has the greatest resistance?

	length of wire / cm	diameter of wire / mm
<b>A</b>	50	0.1
<b>B</b>	50	0.2
<b>C</b>	100	0.1
<b>D</b>	100	0.2

39.

What is the unit of potential difference?

- A joule
- B newton
- C volt
- D watt

**Topic 15.3 – Electricity-Circuit components**

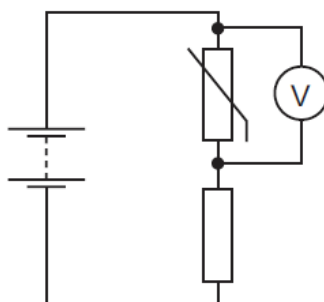
1.

Which circuit includes a capacitor and what does the capacitor do in this circuit?

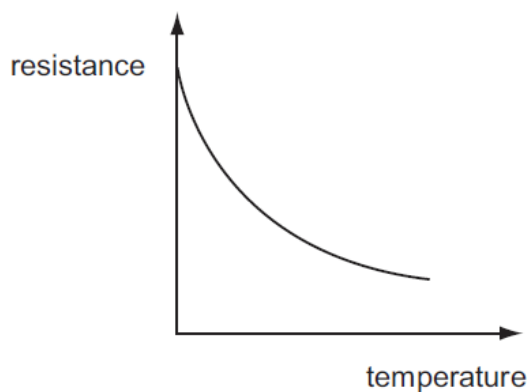
	circuit	what the capacitor does
<b>A</b>	potential divider	stores current
<b>B</b>	potential divider	stores energy
<b>C</b>	time delay	stores current
<b>D</b>	time delay	stores energy

2.

The diagram shows a thermistor in a potential divider. A voltmeter is connected across the thermistor.



The graph shows how the resistance of the thermistor changes with temperature.



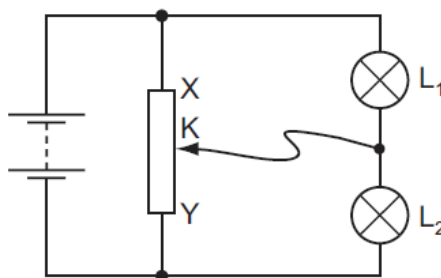
As the thermistor becomes warmer, what happens to its resistance and what happens to the reading on the voltmeter?

	resistance	voltmeter reading
<b>A</b>	decreases	decreases
<b>B</b>	decreases	increases
<b>C</b>	increases	decreases
<b>D</b>	increases	increases



3.

The diagram shows a potential divider circuit with two identical lamps  $L_1$  and  $L_2$ .



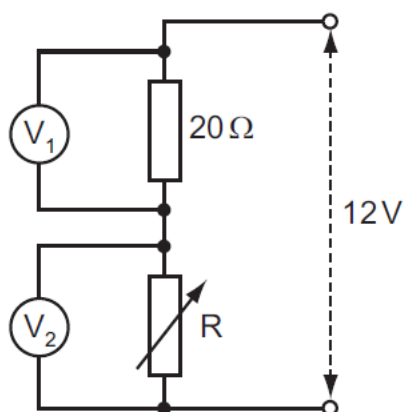
The contact K is halfway between X and Y and the lamps are equally bright.

What will happen to the brightness of the lamps when contact K is moved a short distance towards X?

	lamp $L_1$	lamp $L_2$
<b>A</b>	brighter	brighter
<b>B</b>	brighter	dimmer
<b>C</b>	dimmer	brighter
<b>D</b>	dimmer	dimmer

4.

The potential divider shown is connected across a constant 12 V supply.



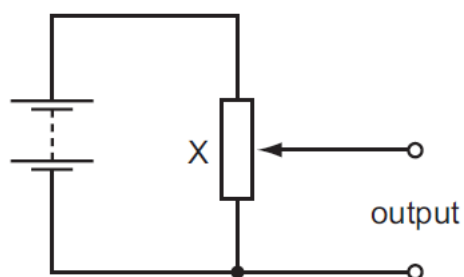
When  $R$  has a value of  $20\ \Omega$ , the voltmeter readings are equal.

How do these readings change when the value of  $R$  is reduced to  $10\ \Omega$ ?

	reading on $V_1$	reading on $V_2$
<b>A</b>	decreases	decreases
<b>B</b>	decreases	increases
<b>C</b>	increases	decreases
<b>D</b>	increases	increases

5.

The circuit shown is a potential divider.

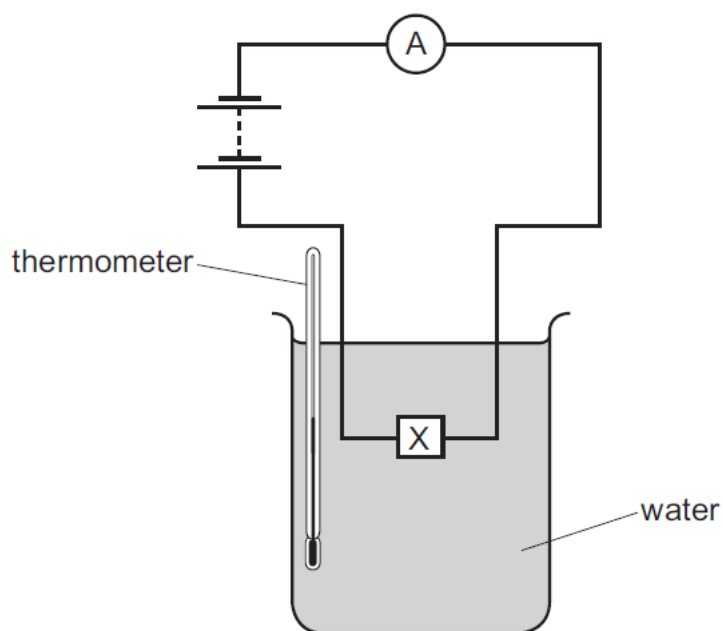


What is component X?

- A a light-dependent resistor
- B a relay
- C a thermistor
- D a variable resistor

6.

An electrical component X is placed in water, as shown.



When the temperature of the water is increased, the reading on the ammeter increases.

What is component X?

- A a capacitor
- B a light-dependent resistor
- C a relay
- D a thermistor

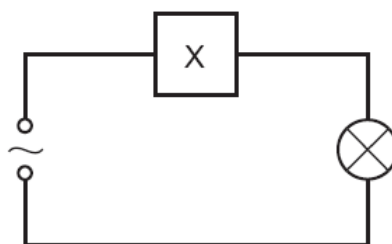
7.

Which component can store energy and can be used in time-delay circuits?

- A a capacitor
- B a potentiometer
- C a resistor
- D a thermistor

8. ?

The device X in this circuit is designed to cut off the electricity supply automatically if too much current flows.



What is device X?

- A a fuse
- B a switch
- C a resistor
- D an ammeter

9.

Which device is designed to allow a small direct current (d.c.) to control a large direct current (d.c.)?

- A a generator
- B a motor
- C a relay
- D a transformer

10.

A certain electrical appliance is powered from a mains supply. The appliance normally uses a current of 3 A, but the current briefly rises to 4 A at the instant the appliance is switched on. The cable to the appliance is designed for currents up to 6 A.

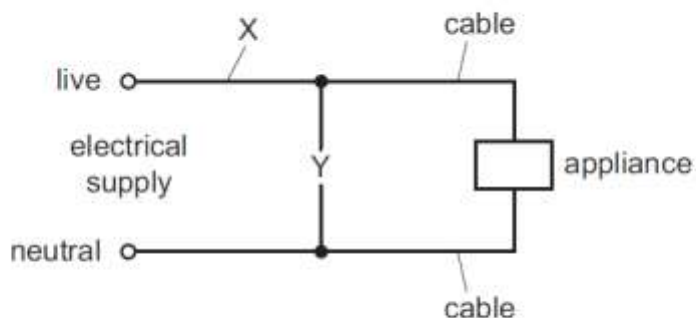
The fuses available to protect the cable are rated at 1 A, 3 A, 5 A and 13 A.

Which fuse should be used?

- A 1 A                      B 3 A                      C 5 A                      D 13 A

11.

Either a fuse or a circuit-breaker can be used to protect electrical cables from large currents that could cause overheating.

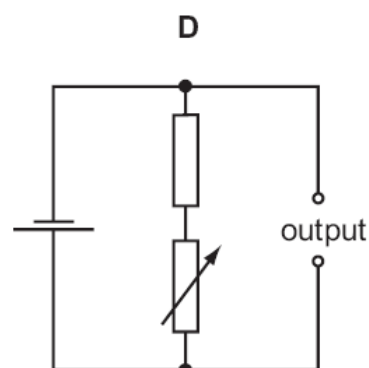
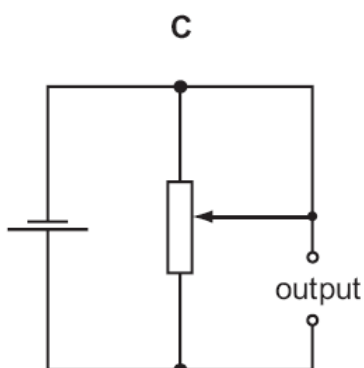
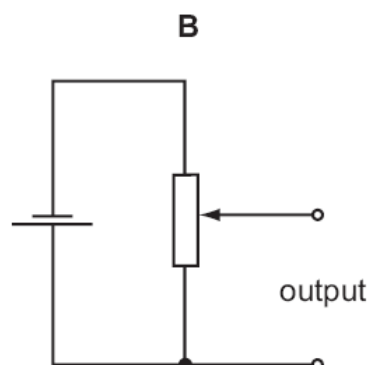
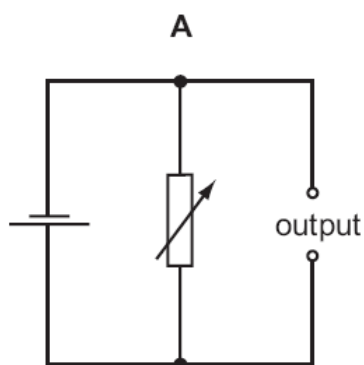


If a fuse is used, in which position in the circuit should it be connected, and if a circuit-breaker is used, in which position should it be connected?

	position of fuse	position of circuit-breaker
<b>A</b>	X	X
<b>B</b>	X	Y
<b>C</b>	Y	X
<b>D</b>	Y	Y

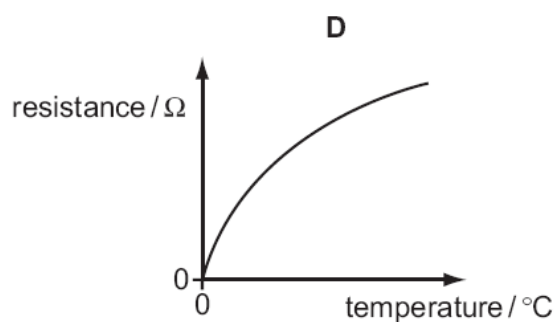
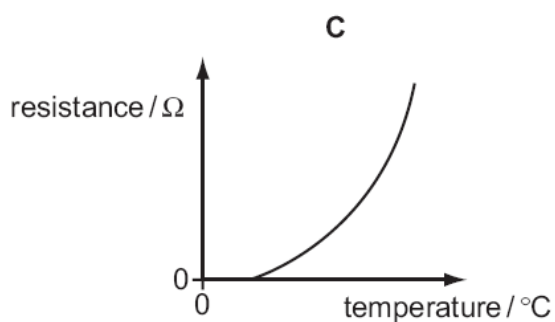
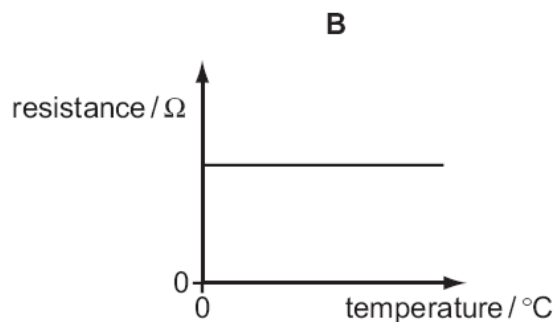
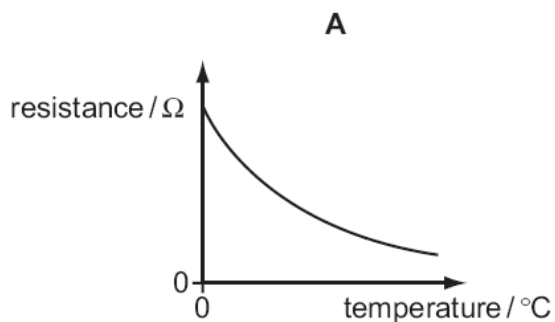
12.

Which circuit is a variable potential divider (potentiometer)?



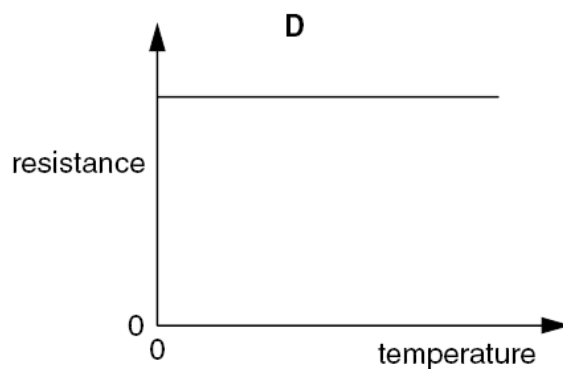
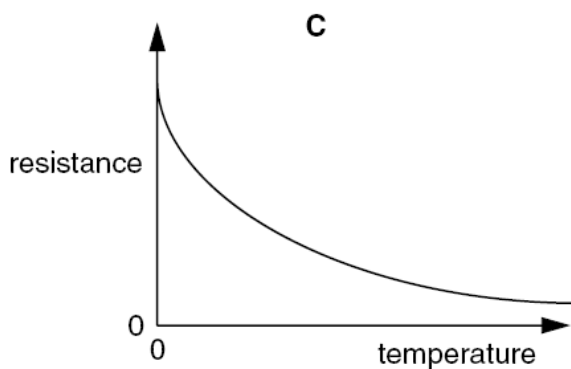
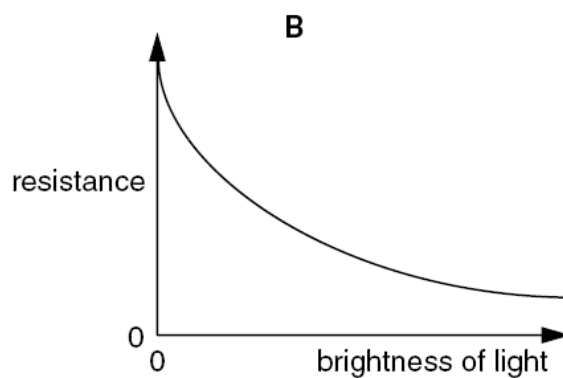
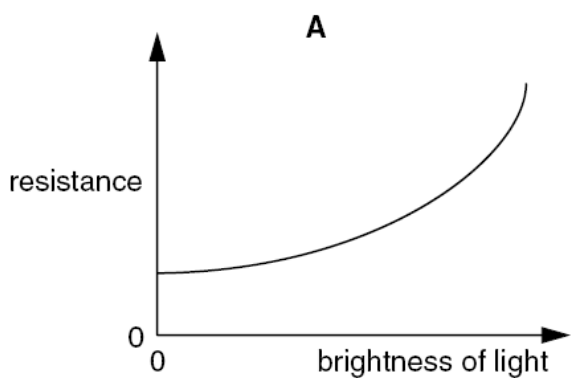
13.

0 Which graph shows how the resistance of a thermistor changes with temperature?



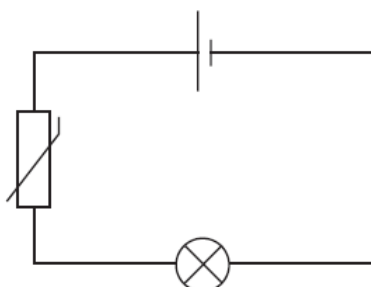
14.

Which graph shows how a thermistor could behave?



15.

When the thermistor in the circuit below is heated, the lamp becomes brighter.



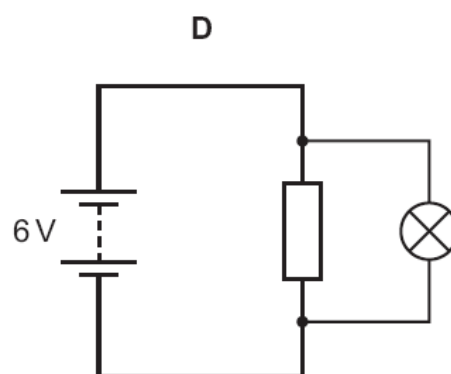
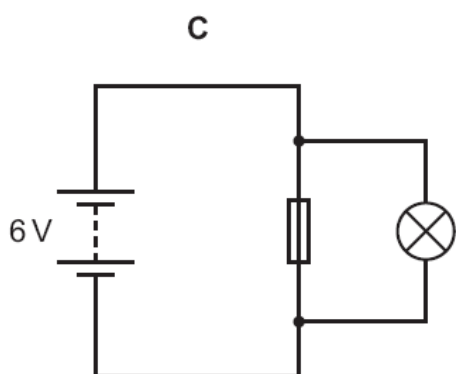
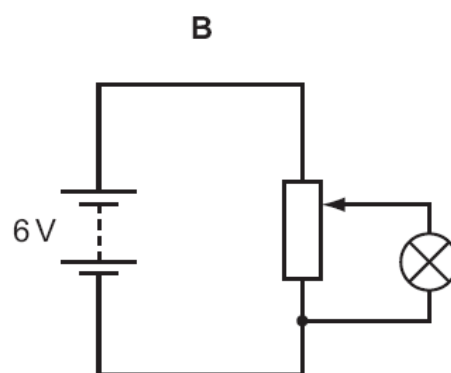
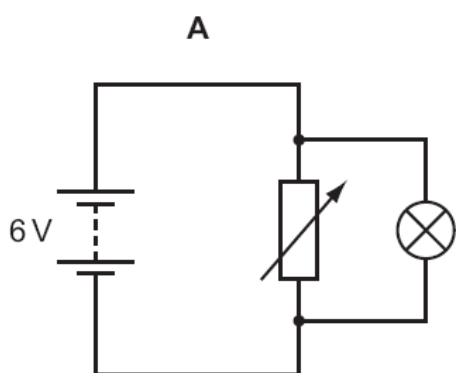
Why does this happen?

- A The resistance of the lamp decreases.
- B The resistance of the lamp increases.
- C The resistance of the thermistor decreases.
- D The resistance of the thermistor increases.

16.

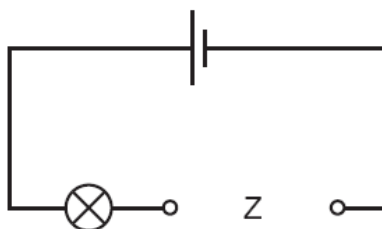
A lamp is to be connected in a circuit so that the p.d. across it can be varied from 0 to 6V

Which circuit would be most suitable?

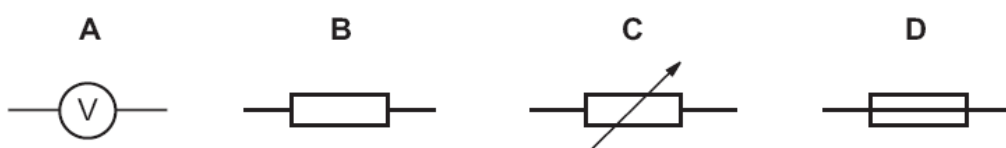


17.

An electrical component is to be placed in the circuit at Z, to allow the brightness of the lamp to be varied from bright to dim.



What should be connected at Z?



18.

Diagram 1 shows a potential divider circuit containing two  $100\ \Omega$  resistors.

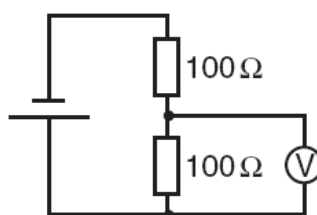


Diagram 1

One of the resistors is changed to  $90\ \Omega$ , as shown in diagram 2.

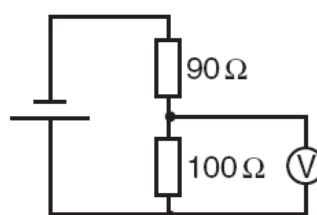


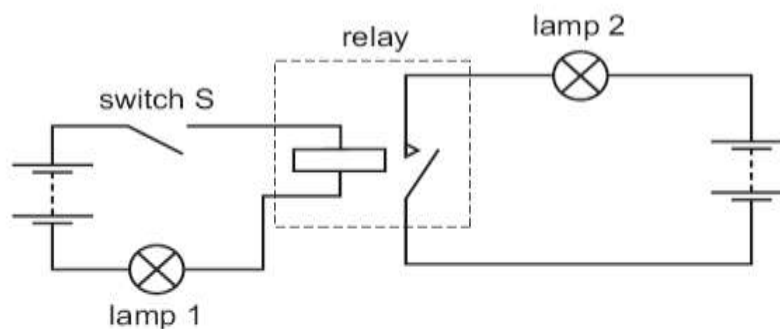
Diagram 2

How does the reading on the voltmeter change when this is done?

- A It becomes zero.
- B It decreases a little.
- C It increases a little.
- D It stays the same.

19.

The circuit contains a relay.

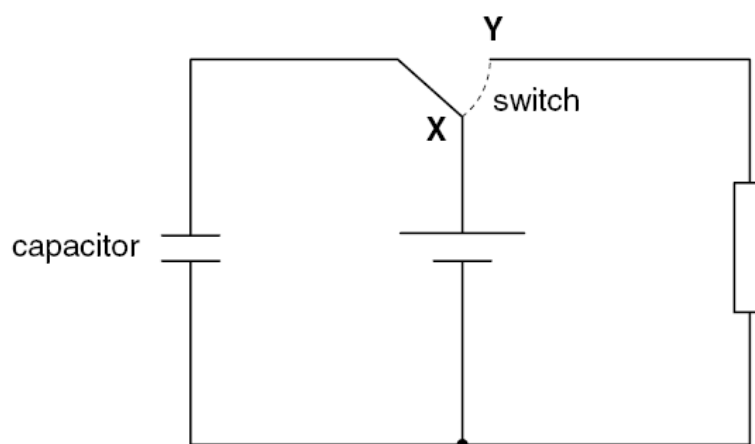


When switch S is closed, what is the state of the lamps?

	lamp 1	lamp 2
<b>A</b>	on	on
<b>B</b>	on	off
<b>C</b>	off	on
<b>D</b>	off	off

20.

The diagram shows a circuit which includes a switch and a capacitor.



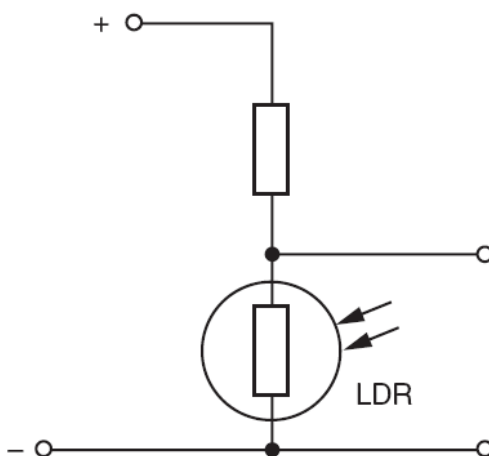
What happens to the capacitor when the switch is at X and when it is at Y?

	switch at X	switch at Y
<b>A</b>	charging	charging
<b>B</b>	charging	discharging
<b>C</b>	discharging	charging
<b>D</b>	discharging	discharging



21.

The diagram shows part of a circuit used to switch street lamps on and off automatically.

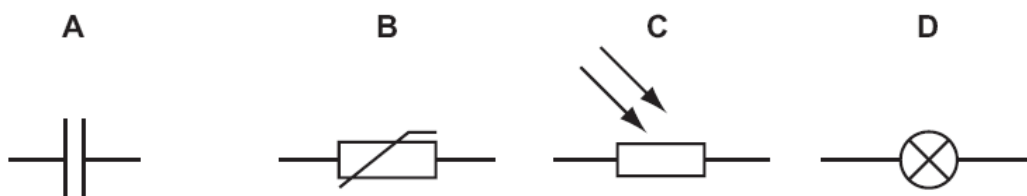


What is the effect on the light-dependent resistor (LDR) when it gets dark?

	resistance of LDR	p.d. across LDR
A	decreases	decreases
B	decreases	increases
C	increases	decreases
D	increases	increases

22.

Which symbol represents an electrical component used to store energy?



23.

Which component can store energy for use in time delay circuits?

- A capacitor
- B potentiometer
- C resistor
- D thermistor

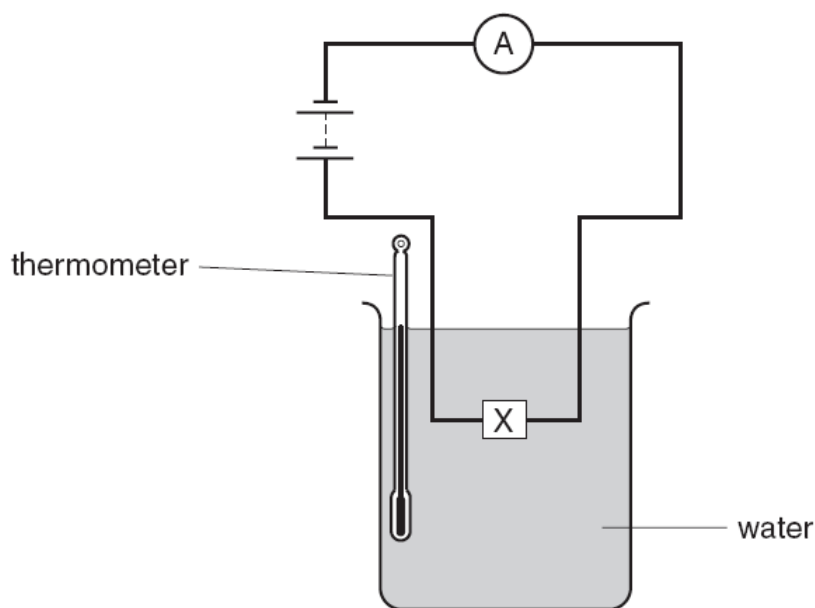
24.

Which electrical component would **not** normally be found in a battery-operated torch (flashlight)?



25.

An electrical component X is placed in water, as shown.



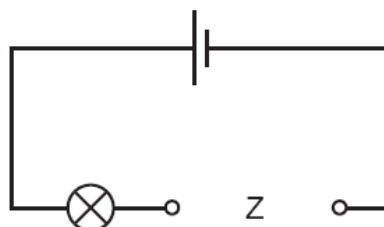
When the temperature of the water is increased, the reading on the ammeter increases.

What is component X?


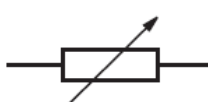
- A a capacitor
- B a light-dependent resistor
- C a reed relay
- D a thermistor

26.

An electrical component is to be placed in the circuit at Z, to allow the brightness of the lamp to be varied from bright to dim.



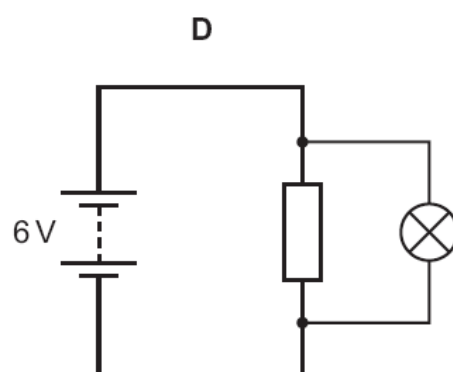
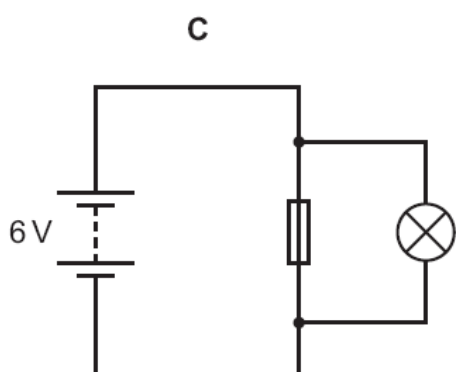
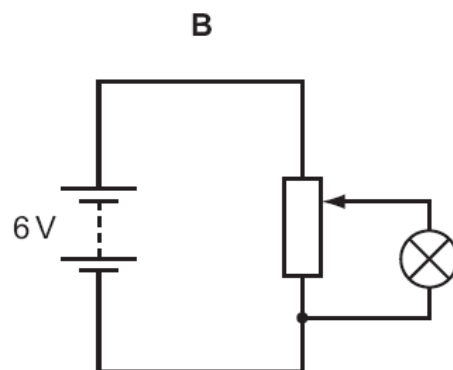
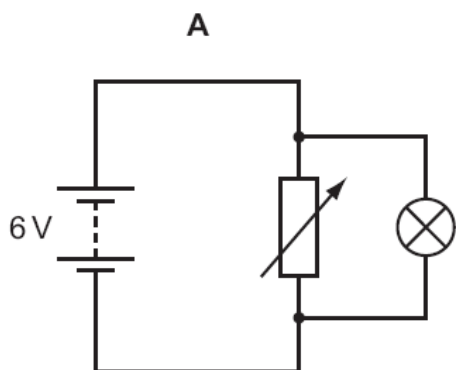
What should be connected at Z?

- A       B       C       D 

27.

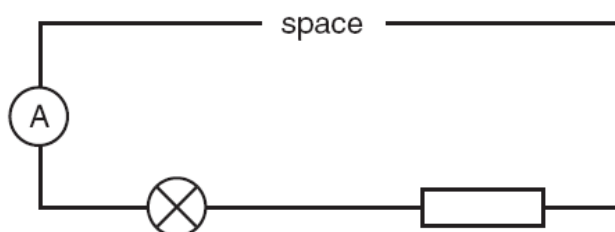
A lamp is to be connected in a circuit so that the p.d. across it can be varied from 0 to 6V

Which circuit would be most suitable?

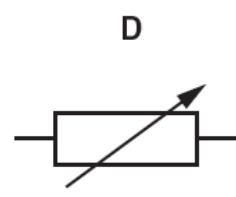
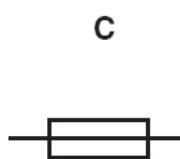
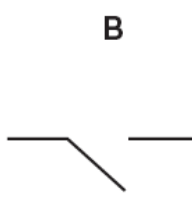
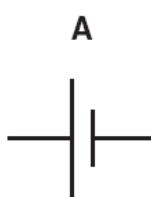


28.

The diagram shows an incomplete circuit.

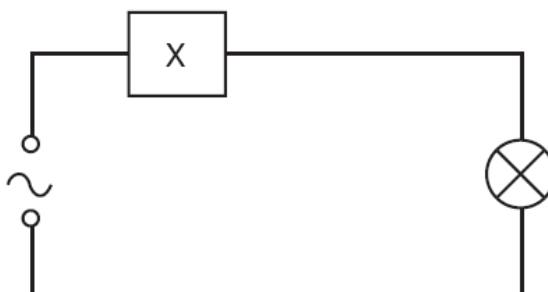


Which component should be connected in the space to make the lamp light?



29.

The device X in this circuit is designed to cut off the electricity supply automatically if too much current flows.



What is device X?

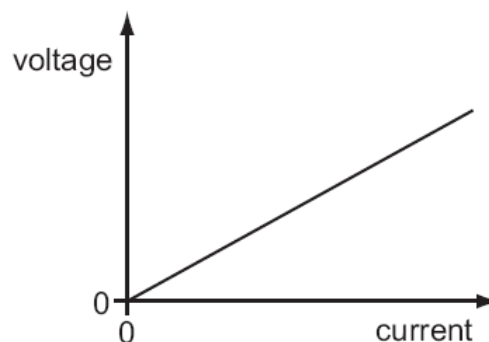
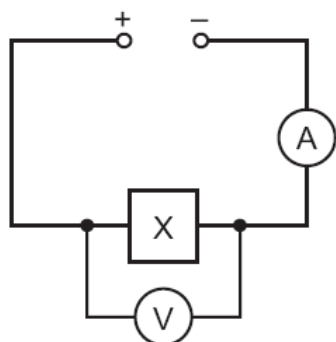
- A a fuse
- B a relay
- C a resistor
- D an ammeter

30.

The circuit shown in the diagram contains an unknown component X, hidden in a box.

The voltage-current graph for X is as shown.

variable voltage supply



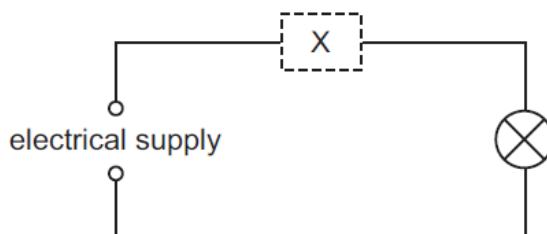
What is the component X?

- A a capacitor
- B a closed switch
- C a metallic resistor
- D an open switch

**Topic 15.4 – Electricity-Dangers**

1.

In this circuit, a component at X automatically protects the wiring from overheating if there is a fault.



Which components are suitable to use at X?

- A** a circuit-breaker, a fuse or a switch
- B** only a circuit-breaker or a fuse
- C** only a circuit-breaker or a switch
- D** only a fuse

2.

A fuse and a relay each use an effect of an electric current.

Which effect of an electric current is used by a fuse and which effect is used by a relay?

	effect used by a fuse	effect used by a relay
<b>A</b>	heating effect	heating effect
<b>B</b>	heating effect	magnetic effect
<b>C</b>	magnetic effect	heating effect
<b>D</b>	magnetic effect	magnetic effect

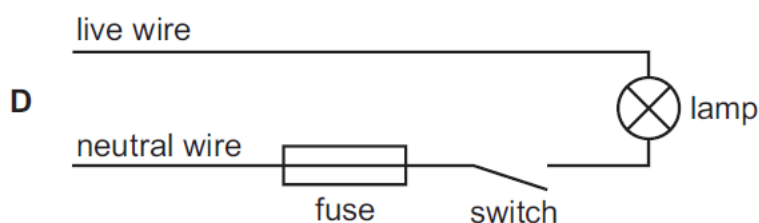
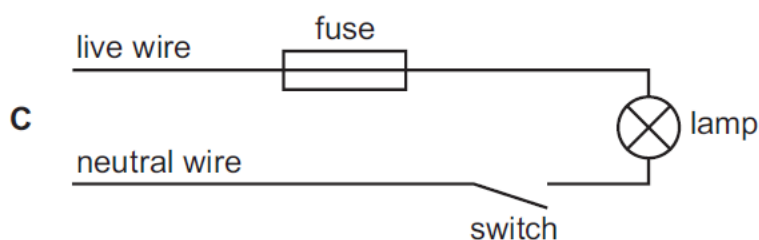
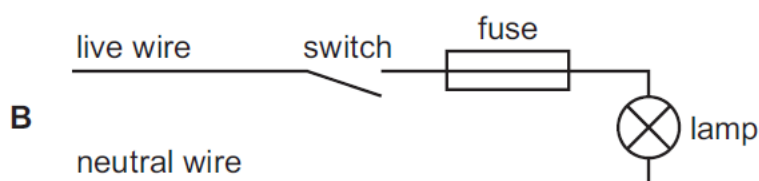
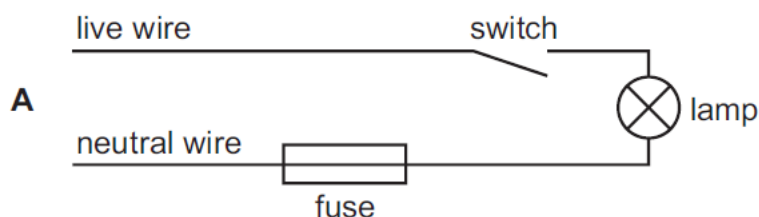
3.

A fuse is a safety device for use in an electrical appliance.

How does a fuse affect a circuit when the current in it becomes higher than the correct value for the appliance?

- A** It completely stops the current.
- B** It reduces the current to the correct value for the appliance.
- C** It sends the current to the outer case of the appliance.
- D** It sends the excess current to the earth wire.

4. Which diagram shows the correct positions for both the switch and the fuse?



5. On a building site, metal scaffolding is firmly embedded in the damp ground. A builder holds a mains-operated electric drill in one hand. With his other hand he holds on to the scaffolding.

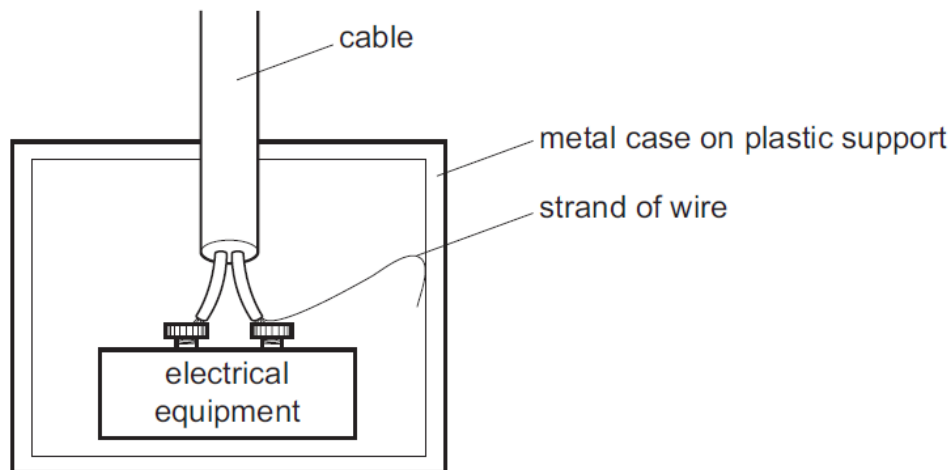
The power cable of the drill is damaged where it enters the metal casing of the drill.

What danger does this present to the builder?

- A** A current could pass through the builder and electrocute him.
- B** A current in the scaffolding could heat it up and burn him.
- C** The large current could blow the fuse and damage the drill.
- D** The large current could make the motor spin too quickly.

6.

Some electrical equipment is connected to a 230 V supply. It is kept inside a metal case which is not earthed. The case is fixed to a plastic support. A strand of wire has become loose and touches the metal case as shown.



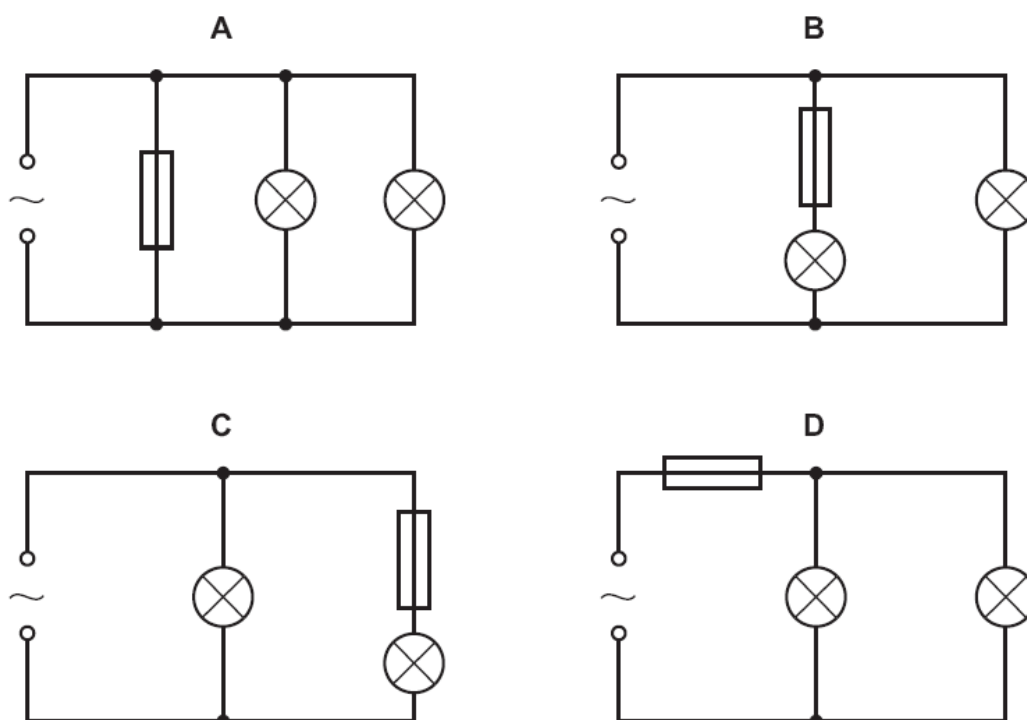
Which statement about this situation is correct?

- A An electric current is passing through the metal case.
- B A fuse in the live wire will blow.
- C Someone touching the case would receive an electric shock.
- D The metal case is at 0 V.

7.

A student makes four circuits.

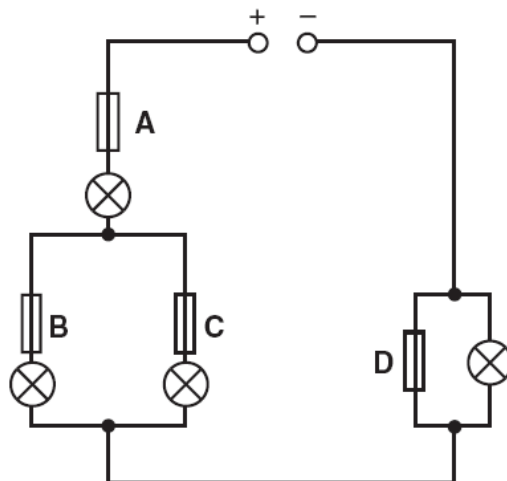
In which circuit are both lamps protected by the fuse?



8.

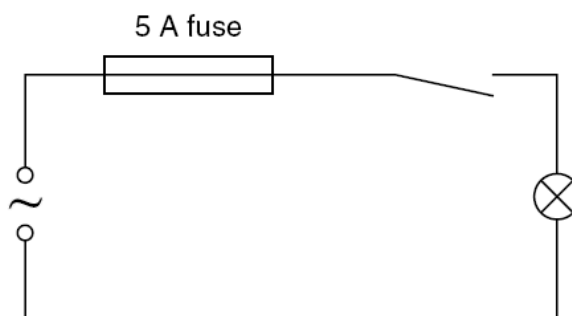
In the circuit shown, one of the fuses blows and all the lamps go out.

Which fuse blows?



9.

A student makes the circuit shown.



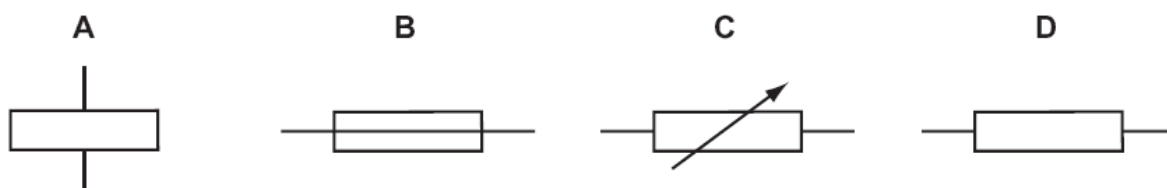
The fuse has blown and stopped the current.

What could have caused this?

- A A 3 A fuse should have been used.
- B The lamp was loose.
- C The current was too large.
- D The voltage was too small.

10.

What is the symbol for a fuse?





11.

After some building work in a house, a bare (uninsulated) live wire is left protruding from a wall.

What is the greatest hazard?

- A a fire
- B a fuse will blow
- C an electric shock
- D no current will flow

12.

The current in a lamp at full brightness is 0.25 A. The flexible cable to the lamp is designed for currents up to 5.0 A, so it can safely carry the 0.25 A taken by the lamp.

Which fuse should be inserted in the plug at the other end of the flexible cable?

- A 0.2 A
- B 1.0 A
- C 5.0 A
- D 10.0 A

13.

A mains circuit can safely supply a current of 40 A.

A hairdryer takes 2 A. It is connected to the circuit by a lead which can safely carry up to 5 A.

Which fuse is best to use in the plug fitted to the hairdryer lead?

- A 1 A fuse
- B 3 A fuse
- C 10 A fuse
- D 50 A fuse

14.

A cable in a house is carrying too much current.

What is the greatest danger?

- A appliances not working
- B electric shock
- C fire
- D low power

15.

A householder asks an electrician to install a mains electrical socket in her bathroom so that she may use a hairdryer there. The electrician refuses to do this because it would be dangerous.

Why would installing the socket be dangerous?

- A The current drawn by the hairdryer would cause overheating in the cables.
- B The handling of electrical equipment in damp conditions could cause an electric shock.
- C The hot air produced by the hairdryer would cause the fuse to melt.
- D The temperature in the bathroom would damage the insulation.

16.

Circuit-breakers are used with electrical appliances as safety devices.

Which description is correct for a circuit-breaker?

	position	action when overloaded
<b>A</b>	connected in the live wire	melts
<b>B</b>	connected in the live wire	operates an electromagnet
<b>C</b>	connected to the casing of the appliance	melts
<b>D</b>	connected to the casing of the appliance	operates an electromagnet

17.

An electric heater is connected to the mains using insulated copper wires. The wires become very warm.

What can be done to prevent so much heat being produced in the connecting wires?

- A** Use thicker copper wires.
- B** Use thinner copper wires.
- C** Use thicker insulation.
- D** Use thinner insulation.

18.

Why is a fuse used in an electrical circuit in a house?

- A** to increase the circuit resistance
- B** to keep the power used to a minimum value
- C** to prevent a short-circuit from occurring
- D** to stop the cables from carrying too much current

19.

Why is a circuit breaker or a fuse used in a mains electric circuit?

- A** It allows spare current to be returned to the mains.
- B** It improves the insulation of the wiring.
- C** It protects the mains wiring from current overload.
- D** It saves energy by reducing the current.

20.

Why are electric circuits often fitted with fuses?

- A** Fuses break the circuit if the current is too high.
- B** Fuses only allow the current through in the correct direction.
- C** Fuses return any excess current to earth.
- D** Fuses use up any spare current.

21.

An electric power tool is being used outdoors in a shower of rain.

What is the greatest hazard to the user?

- A The cable gets hot and causes burns.
- B The circuit-breaker cuts off the current.
- C The current passes through water and causes a shock.
- D The tool rusts.

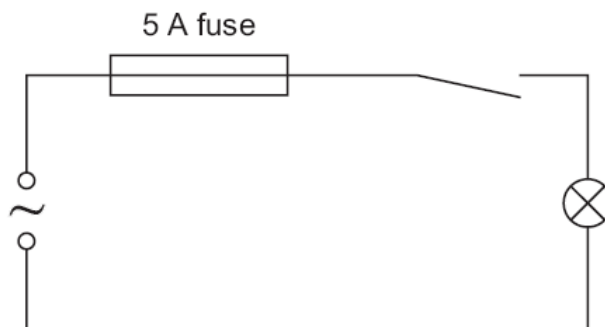
22.

Which statement is correct?

- A A fuse is included in a circuit to prevent the current becoming too high.
- B A fuse should be connected to the neutral wire in a plug.
- C An electric circuit will only work if it includes a fuse.
- D An earth wire is needed to prevent the fuse blowing.

23.

A student makes the circuit shown.



The fuse has blown and stopped the current.

What could have caused this?

- A The current rating of the fuse was too high.
- B The current was too large.
- C The lamp was loose.
- D The voltage was too small.

24.

A mains circuit can safely supply a current of 40 A.

A hair-drier takes 2 A. It is connected to the circuit by a lead which can carry up to 5 A.

Which of these fuses would be best to use in the plug fitted to the hair-drier lead?

- A 1 A fuse
- B 3 A fuse
- C 10 A fuse
- D 50 A fuse

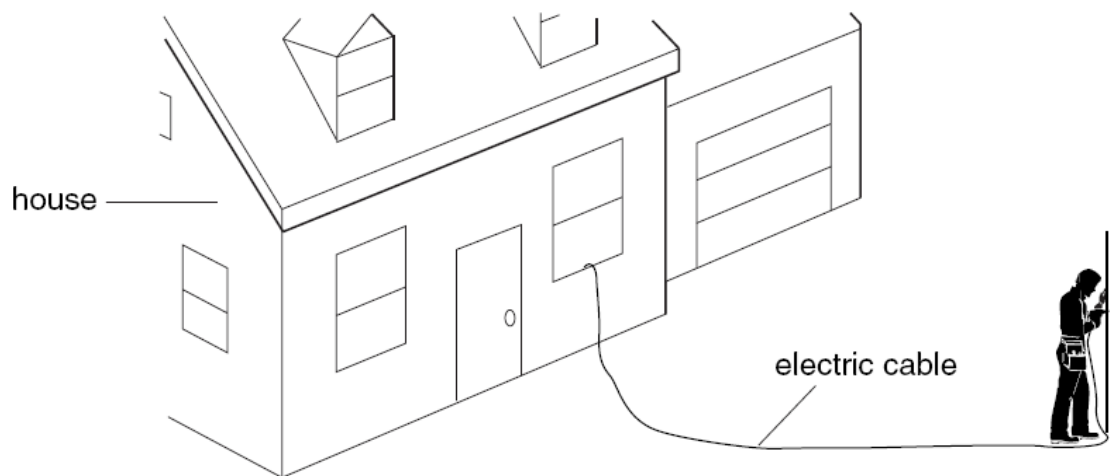
25.

Why are the electric lamps in a house lighting circuit normally connected in parallel?

- A The current in every circuit must be the same.
- B The lamps are always switched on and off at the same time.
- C The voltage across each lamp must be the mains voltage.
- D When one of the lamps blows, all the others go out.

26.

A builder plugs an electric drill into a socket inside a house.



He uses the drill outdoors. It starts to rain heavily.

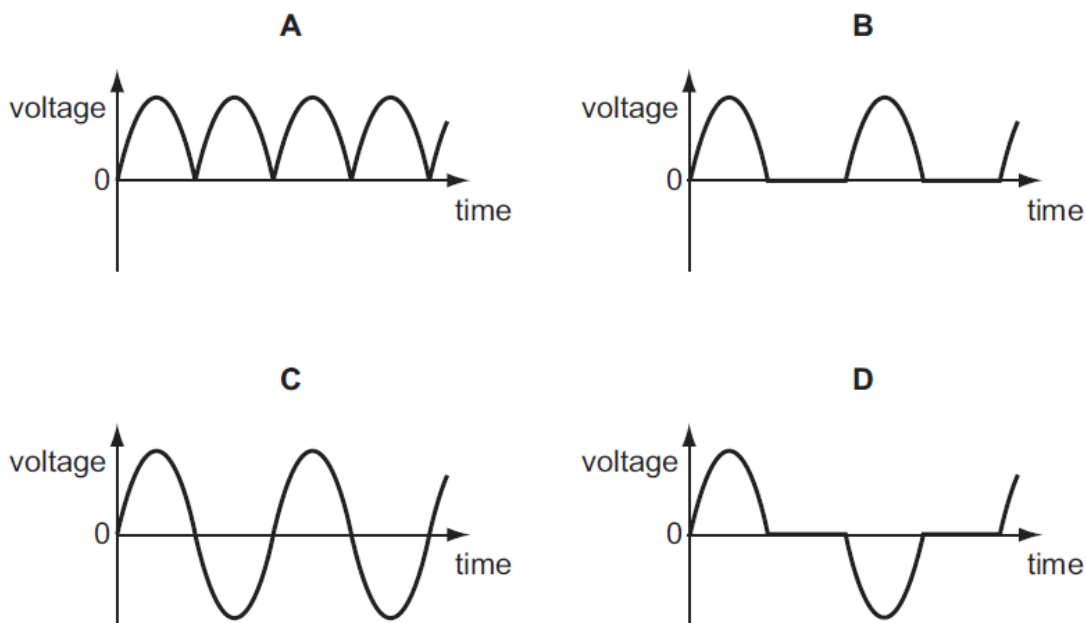
Why is it dangerous to continue using the electric drill in the rain?

- A The drill could give the builder an electric shock.
- B The drill could overheat.
- C The fuse could blow.
- D The rain could rust the drill.

**Topic 16.1 – Electromagnetic effect-Induction**

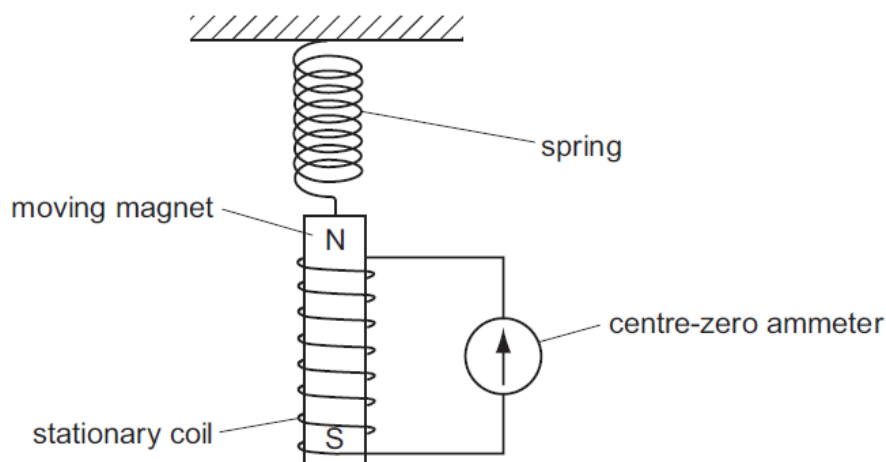
1.

Which graph shows how the output voltage varies with time for a simple a.c. generator?



2.

A magnet is suspended from a spring so that it can move freely inside a coil. The coil is connected to a sensitive centre-zero ammeter.

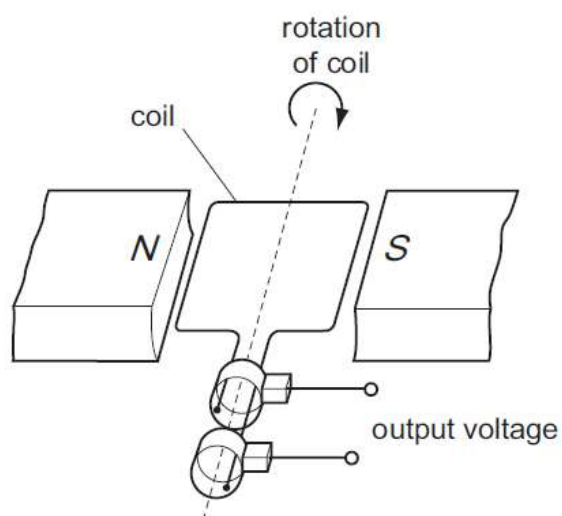


What does the ammeter show when the magnet repeatedly moves slowly up and down?

- A a reading constantly changing from left to right and right to left
- B a steady reading to the left
- C a steady reading to the right
- D a steady reading of zero

3.

The diagram shows an a.c. generator.



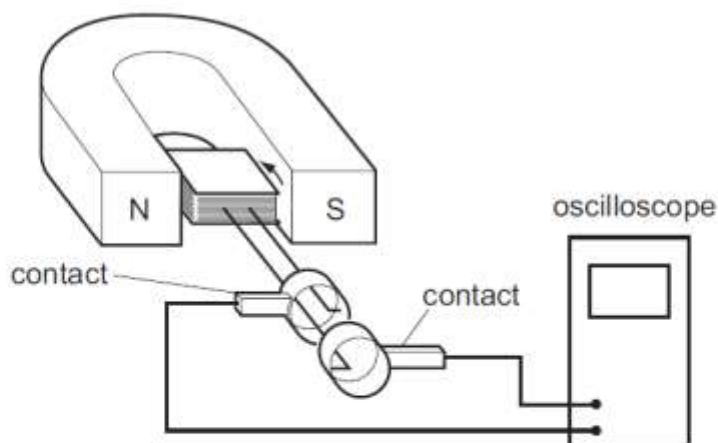
With the coil in the position shown, the output voltage is +10V.

When does the output voltage become -10V?

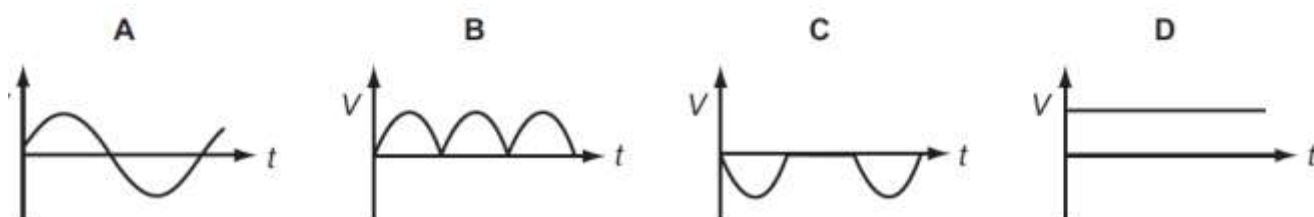
- A when the coil has turned  $90^\circ$
- B when the coil has turned  $180^\circ$
- C when the coil has turned  $270^\circ$
- D when the coil has turned  $360^\circ$

4.

A coil is rotated steadily between the poles of a magnet. The coil is connected to an oscilloscope.



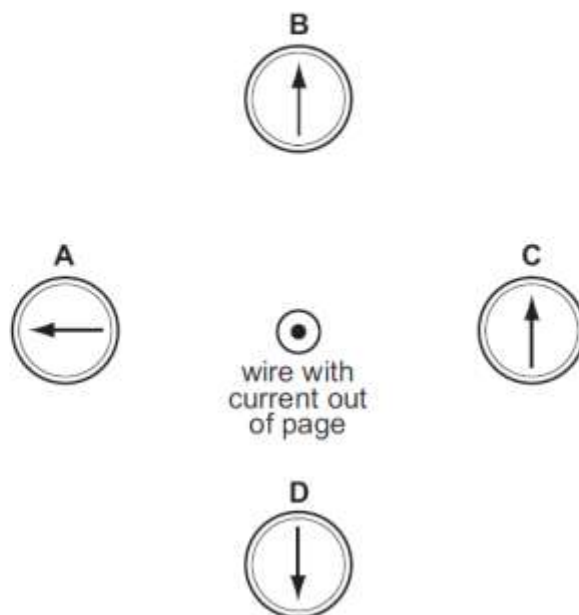
Which graph shows the output voltage  $V$  against time  $t$ ?



5.

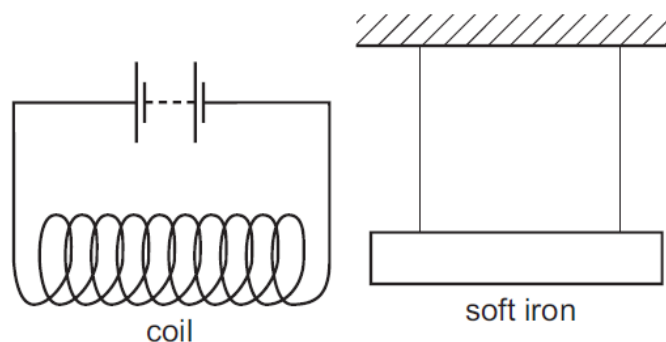
A wire perpendicular to the page carries an electric current in a direction out of the page. There are four compasses near the wire.

Which compass shows the direction of the magnetic field caused by the current?



6.

A coil is connected to a battery and a soft iron bar is hung near to it.



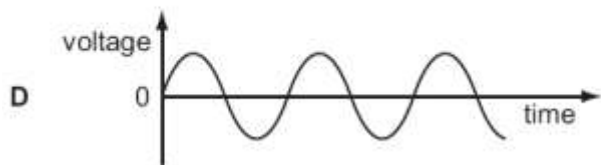
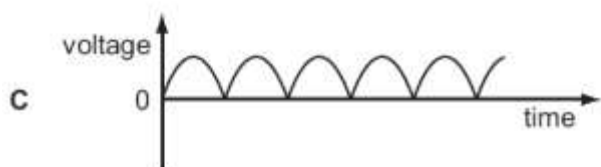
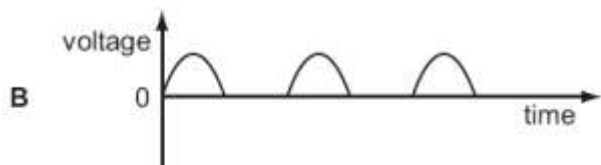
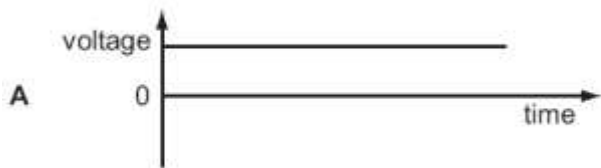
The current is then reversed by reversing the battery connections.

How does the soft iron bar behave in the two cases?

	with the battery as shown	with the battery reversed
<b>A</b>	attracted to the coil	attracted to the coil
<b>B</b>	attracted to the coil	repelled from the coil
<b>C</b>	repelled from the coil	attracted to the coil
<b>D</b>	repelled from the coil	repelled from the coil

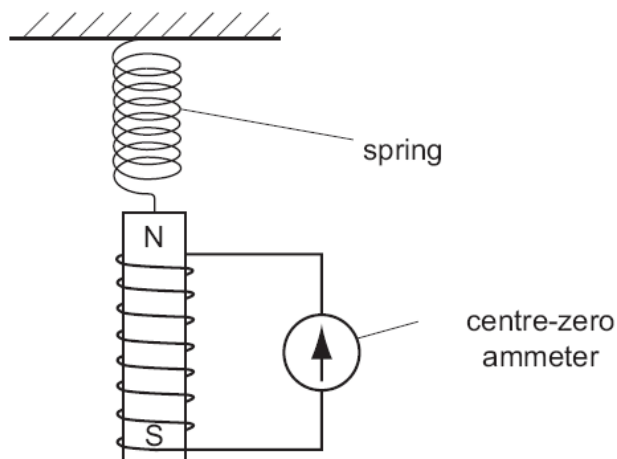
7.

Which graph shows the output voltage from a simple a.c. generator?



8.

A magnet is suspended from a spring so that it can move freely inside a coil which is connected to a sensitive centre-zero ammeter.



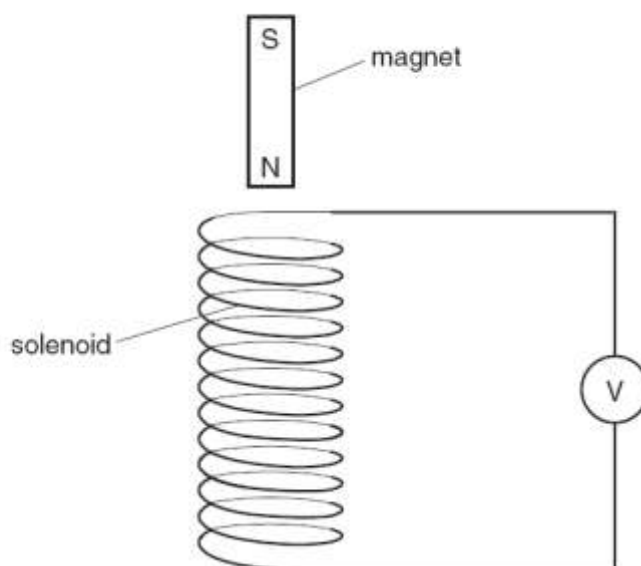
What does the ammeter show when the magnet vibrates slowly up and down?

- A** a reading constantly changing from left to right and right to left
- B** a steady reading to the left
- C** a steady reading to the right
- D** a steady zero reading



9.

The diagram shows a solenoid connected to a sensitive voltmeter.



Which of the following would give a zero reading on the voltmeter?

- A holding the magnet stationary inside the solenoid
- B moving the magnet away from the solenoid
- C moving the magnet towards the solenoid
- D moving the solenoid towards the magnet

10.

Which parts of an a.c. generator slide past each other when the generator is working?

- A brushes and coil
- B coil and magnets
- C magnets and slip rings
- D slip rings and brushes

### Topic 16.2 – Electromagnetic effect-Transformer

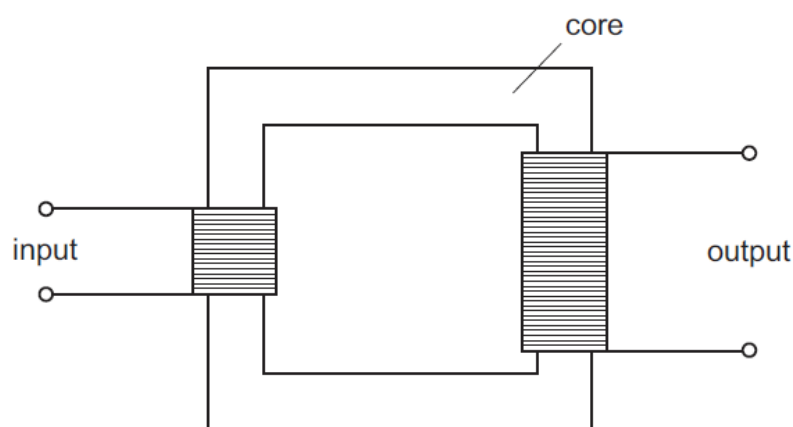
1.

How is electricity transmitted over large distances and why is it transmitted in this way?

	how	why
<b>A</b>	at high voltage	for safety
<b>B</b>	at high voltage	to reduce energy loss
<b>C</b>	at low voltage	for safety
<b>D</b>	at low voltage	to reduce energy loss

2.

The diagram shows a simple transformer.



From which material should the core be made?

- A** aluminium
- B** copper
- C** iron
- D** steel

3.

A transformer has 15 000 turns on its primary coil and 750 turns on its secondary coil.

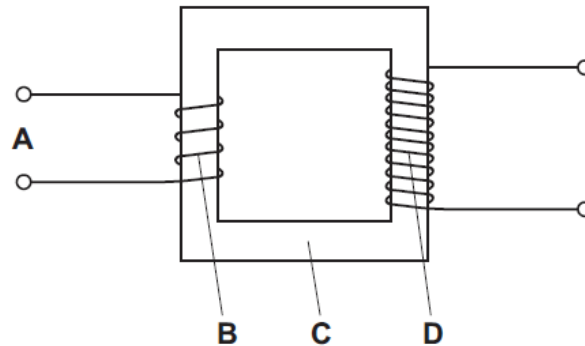
Connected in this way, for what purpose could this transformer be used?

- A** to convert the 8000 V a.c. output of a power station to 160 000 V for long-distance power transmission
- B** to convert the 160 000 V d.c. supply from a power line to 8000 V for local power transmission
- C** to use a 12 V d.c. supply to operate a 240 V razor
- D** to use a 240 V a.c. mains supply to operate a 12 V motor

4.

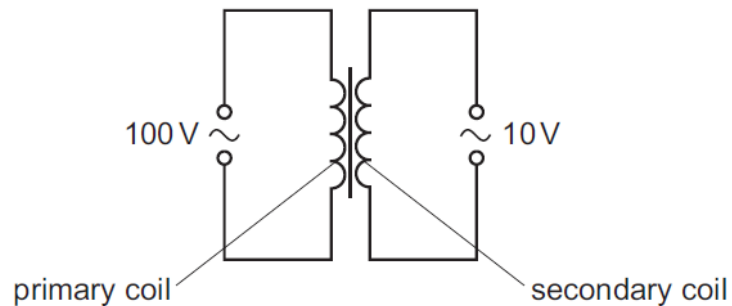
The diagram shows a simple step-down transformer used to decrease a voltage.

Which part is the primary coil?



5.

A transformer is to be used to provide a 10 V output from a 100 V supply.



What are suitable numbers of turns for the primary coil and for the secondary coil?

	number of turns on the primary coil	number of turns on the secondary coil
<b>A</b>	100	1000
<b>B</b>	200	110
<b>C</b>	400	490
<b>D</b>	800	80

6.

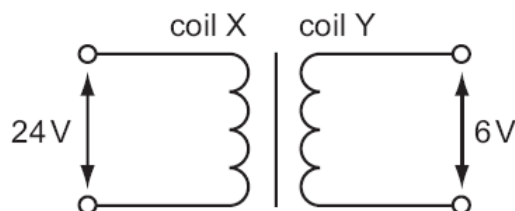
A village has to be supplied with electricity from a power station that is a long way from the village.

Which type of current should be used, and at which voltage?

	type of current	voltage
<b>A</b>	alternating current	high voltage
<b>B</b>	alternating current	low voltage
<b>C</b>	direct current	high voltage
<b>D</b>	direct current	low voltage

7.

A transformer is to be used to produce a 6V output from a 24V input.

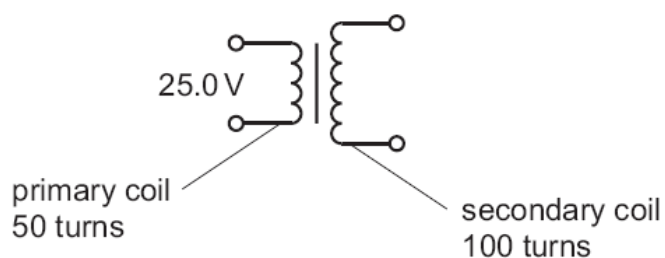


What are suitable numbers of turns for coil X and for coil Y?

	number of turns on coil X	number of turns on coil Y
<b>A</b>	240	60
<b>B</b>	240	240
<b>C</b>	240	960
<b>D</b>	960	60

8.

A transformer has 50 turns on its primary coil and 100 turns on its secondary coil. An a.c. voltage of 25.0V is connected across the primary coil.

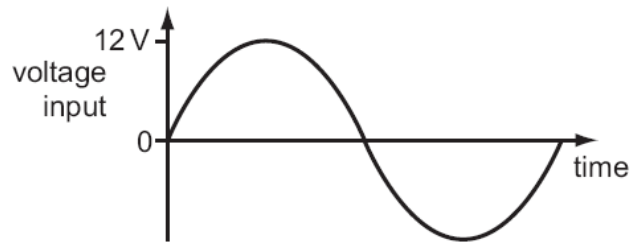


What is the voltage across the secondary coil?

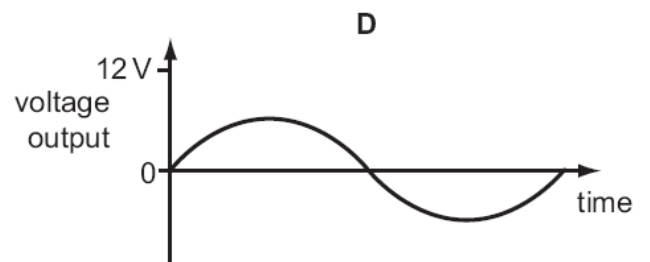
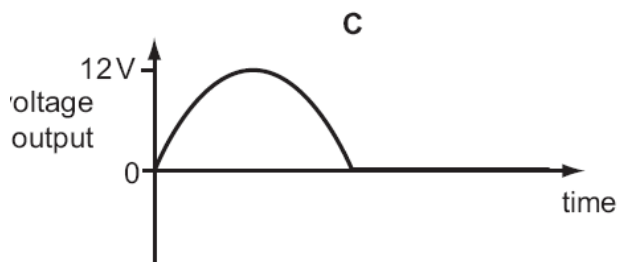
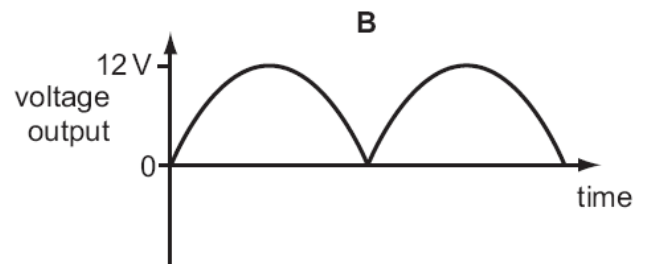
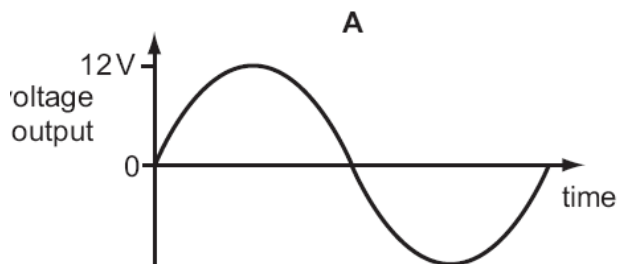
- A** 12.5V      **B** 50.0V      **C** 175V      **D** 200V

9.

i The graph shows the voltage input to a step-down transformer.

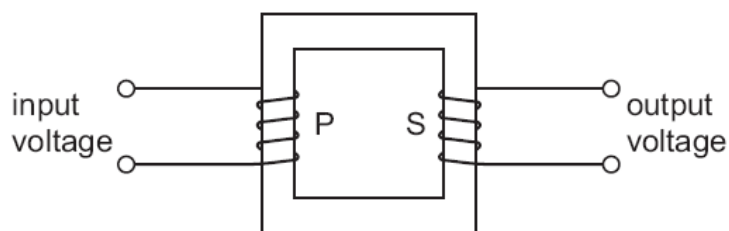


Which diagram shows the voltage output from the transformer?



10.

The diagram represents a transformer.

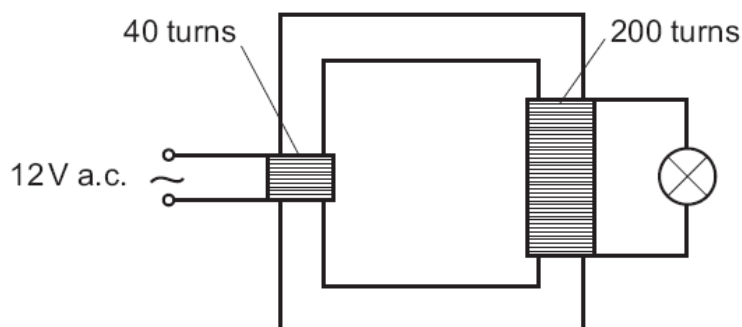


Which arrangement could be used to make the output voltage higher than the input voltage?

	number of turns on primary coil P	number of turns on secondary coil S	type of input
<b>A</b>	100	50	a.c.
<b>B</b>	100	50	d.c.
<b>C</b>	50	100	a.c.
<b>D</b>	50	100	d.c.

11.

The diagram shows a lamp connected to a transformer.

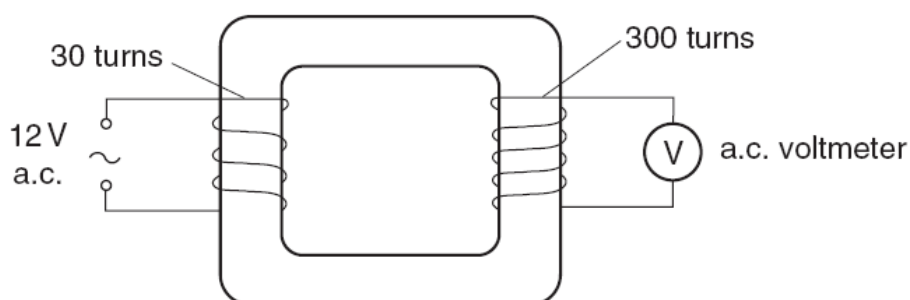


What is the potential difference across the lamp?

- A** 2.4V      **B** 12V      **C** 60V      **D** 240V

12.

The diagram shows a transformer.

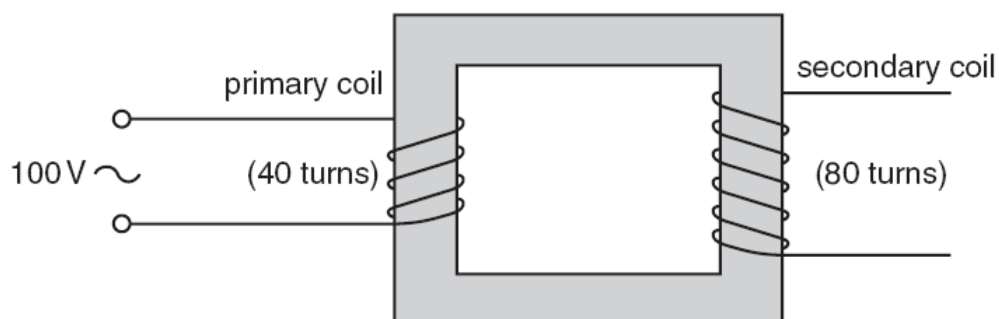


What is the voltmeter reading?

- A** 1.2V      **B** 12V      **C** 120V      **D** 1200V

13.

The diagram shows a transformer with an alternating voltage of 100V applied to the primary coil.

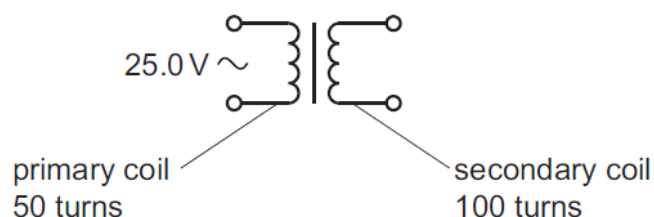


What is the voltage produced across the secondary coil?

- A** 50V      **B** 100V      **C** 200V      **D** 8000V

14.

A transformer has 50 turns on its primary coil and 100 turns on its secondary coil. An alternating voltage of 25.0 V is connected across the primary coil.



What is the voltage across the secondary coil?

- A** 12.5 V      **B** 50.0 V      **C** 175 V      **D** 200 V

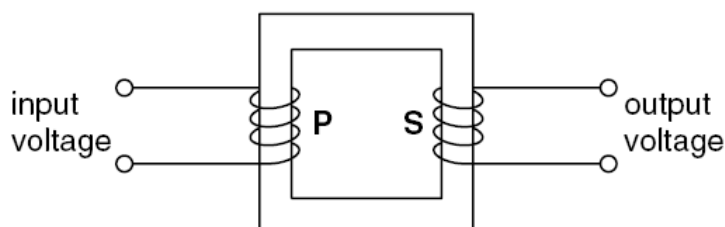
15.

When electricity is transmitted over long distances, energy is wasted. How can the wasted energy be kept as small as possible?

- A** Keep the current in the transmission lines as large as possible.  
**B** Keep the power supplied to the transmission lines as large as possible.  
**C** Keep the resistance of the transmission lines as large as possible.  
**D** Keep the voltage supplied to the transmission lines as large as possible.

16.

The diagram represents a transformer.



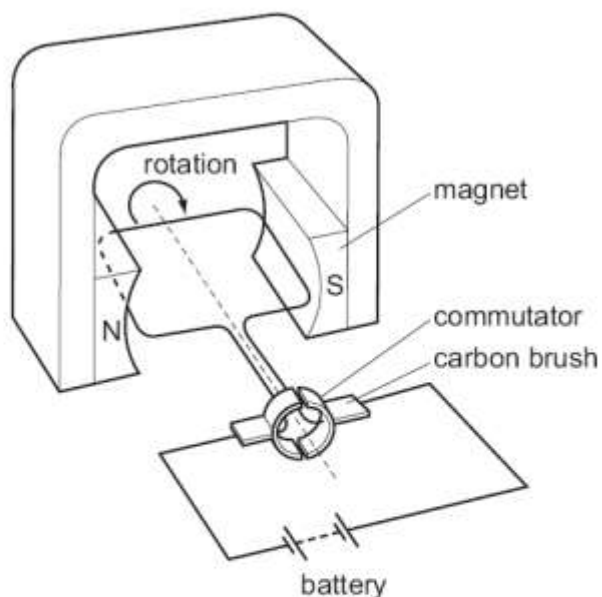
Which arrangement would make the output voltage higher than the input voltage?

	number of turns on primary coil <b>P</b>	number of turns on secondary coil <b>S</b>	type of input voltage
<b>A</b>	50	100	a.c.
<b>B</b>	50	100	d.c.
<b>C</b>	100	50	a.c.
<b>D</b>	100	50	d.c.

**Topic 16.3 – Electromagnetic effect-Motor effect**

1.

The diagram shows an electrical device.

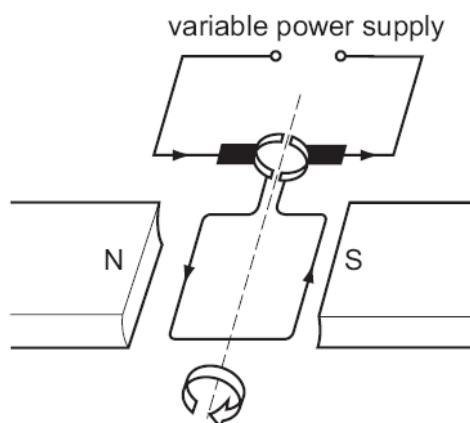


What is this electrical device?

- A a d.c. motor
- B an a.c. generator
- C a magnetising coil
- D a transformer

2.

A current-carrying coil in a magnetic field experiences a turning effect.



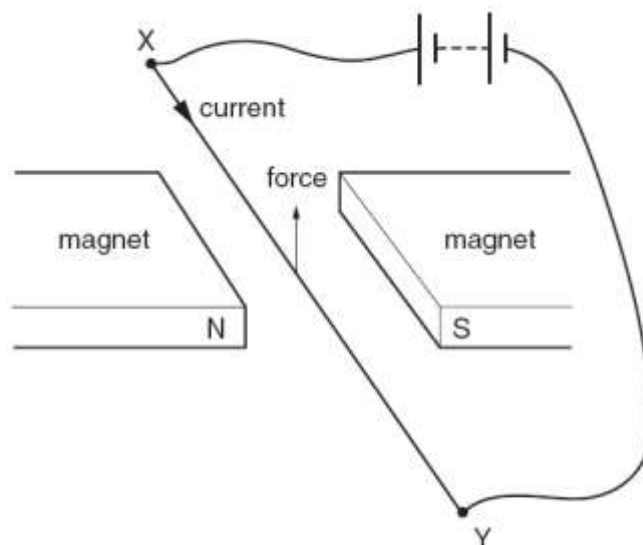
How can the turning effect be increased?

- A increase the number of turns on the coil
- B reduce the size of the current
- C reverse the direction of the magnetic field
- D use thinner wire for the coil

3.



When the electric current in wire XY is in the direction shown, there is an upward force on the wire.



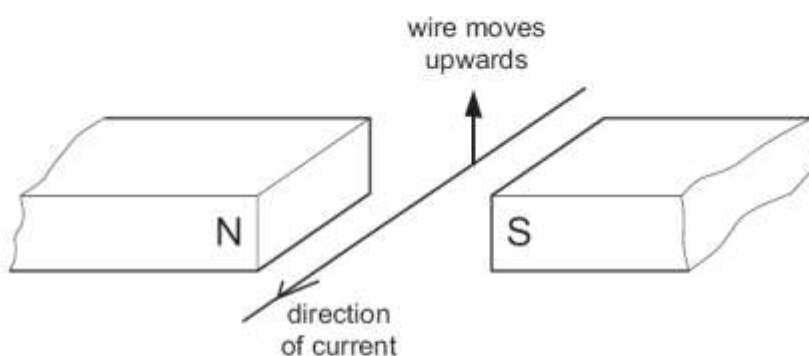
If the north and south poles of the magnet exchange positions, in which direction will the force on the wire act?

- A downwards
- B upwards
- C to the left
- D to the right

4.

A student carries out an experiment to see the effect of a magnetic field on a wire carrying a current.

The wire moves upwards as shown.

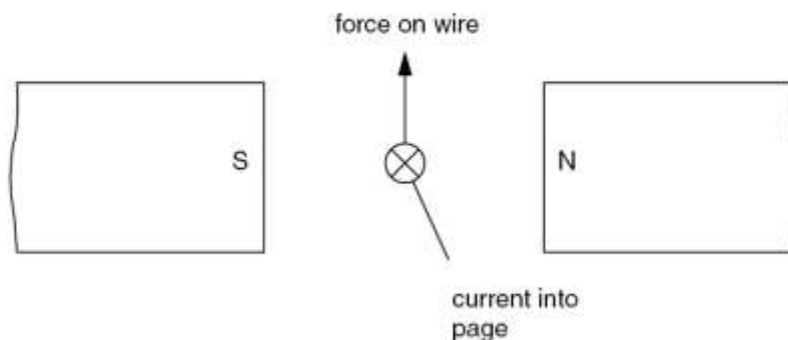


What should the student do to make the wire move downwards?

- A change the direction of the current
- B move the poles of the magnet closer together
- C send a smaller current through the wire
- D use a stronger magnet

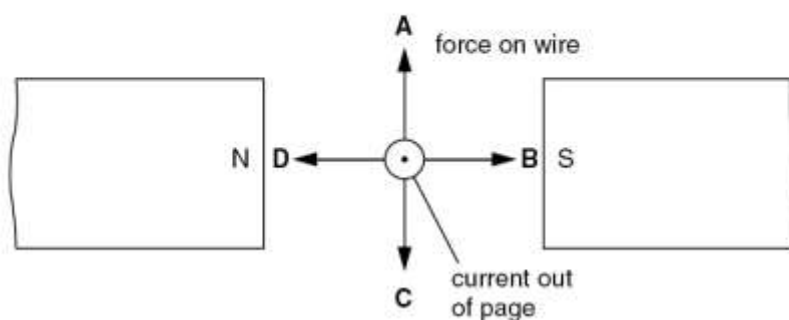
5.

A wire carries an electric current between the poles of a magnet. This causes a force that pushes the wire upwards.



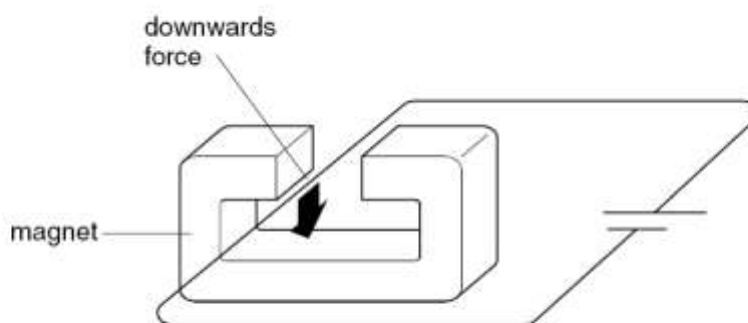
The poles of the magnet and the direction of the current are both reversed.

Which arrow now shows the direction of the force on the wire?



6.

A wire is placed between the poles of a magnet and is briefly connected to a cell. It experiences a downwards force.



The cell is now reversed so that it is connected the other way round.

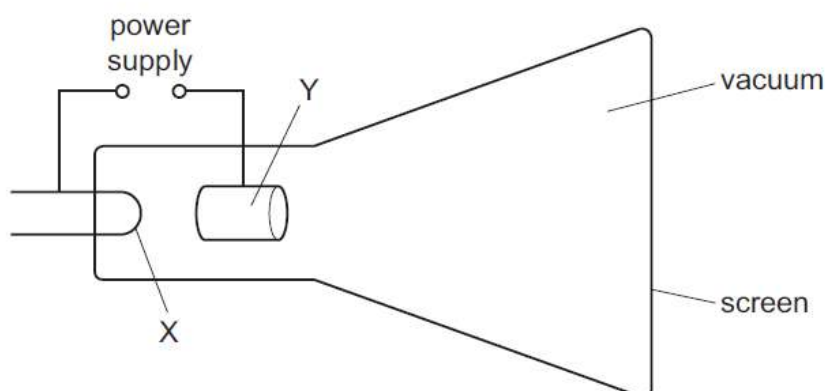
What happens to the direction of the magnetic field of the magnet and to the direction of the force on the wire?

	direction of magnetic field	direction of force
A	reversed	reversed
B	reversed	unchanged
C	unchanged	reversed
D	unchanged	unchanged

**Topic 17 – Cathode ray oscilloscope**

1.

The diagram shows a cathode-ray tube.



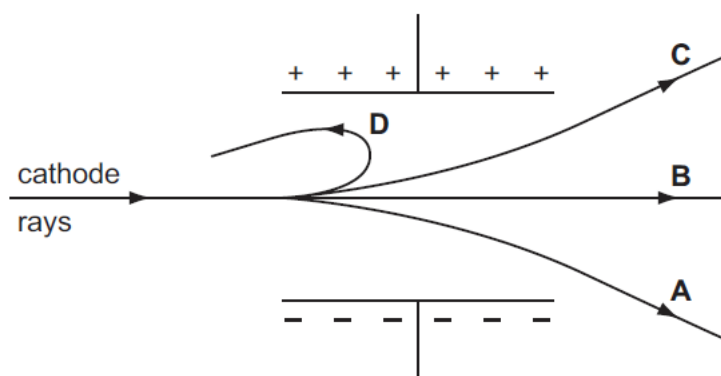
What are the correct labels for X and for Y?

	X	Y
<b>A</b>	negative anode	positive cathode
<b>B</b>	negative cathode	positive anode
<b>C</b>	positive anode	negative cathode
<b>D</b>	positive cathode	negative anode

2.

A beam of cathode rays passes between two parallel metal plates connected to a high-voltage d.c. power supply.

Which path does the beam follow?



3.

What are cathode rays?

- A** a beam of electrons
- B** a beam of neutrons
- C** a beam of protons
- D** electromagnetic waves

4.

Cathode rays are emitted in a vacuum tube. They consist of particles that are found in atoms.

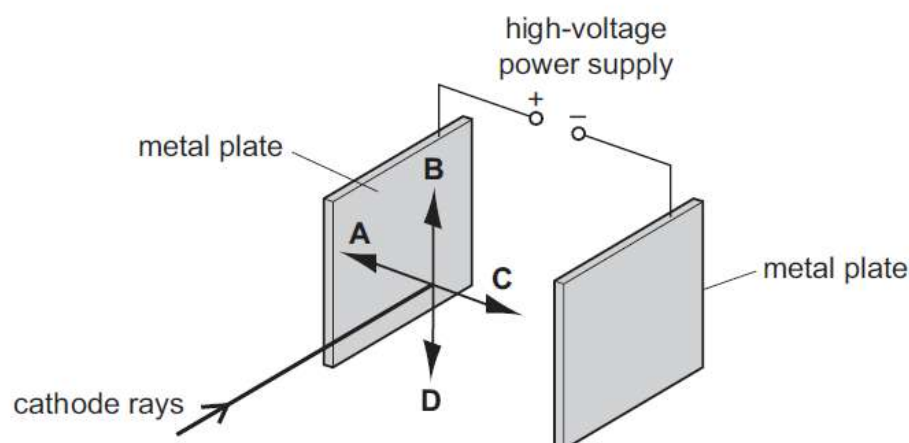
What is the name of the particles and how are the cathode rays produced?

	name of particles	how the cathode rays are produced
<b>A</b>	electrons	electromagnetic induction
<b>B</b>	electrons	thermionic emission
<b>C</b>	protons	electromagnetic induction
<b>D</b>	protons	thermionic emission

5.

Two parallel metal plates in a vacuum are connected to the terminals of a high-voltage power supply. A beam of cathode rays is passed into the space between the two plates, as shown.

In which direction does the beam of cathode rays deflect?



6.

A cathode-ray tube has an anode and an earthed cathode.

Which row shows the charge on the **anode** and the temperature of the **cathode**?

	anode charge	cathode temperature
<b>A</b>	negative	cool
<b>B</b>	negative	hot
<b>C</b>	positive	cool
<b>D</b>	positive	hot

7.

An electric field is set up between two parallel plates.

Cathode rays are directed into this field, parallel to the plates.



In which direction are the cathode rays deflected by the electric field?

- A downwards
- B upwards
- C into the page
- D out of the page

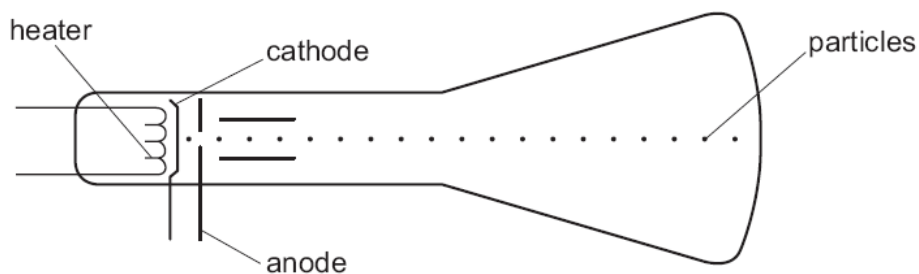
8.

To create cathode rays in a vacuum, what might be a suitable potential difference to connect between the cathode and anode?

- A 6V a.c.
- B 6V d.c.
- C 600V a.c.
- D 600V d.c.

9.

Particles are emitted by a heated cathode in a cathode-ray tube.

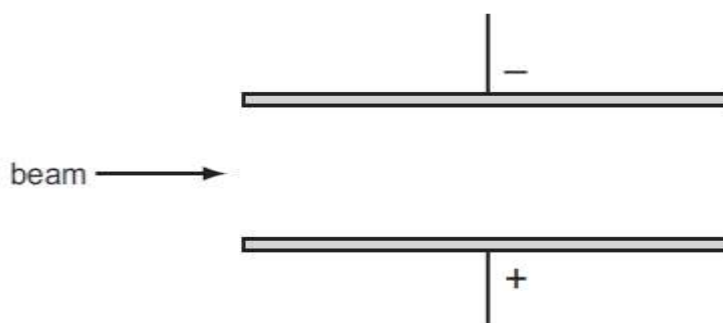


What are these particles?

- A atoms
- B electrons
- C neutrons
- D protons

10.

The diagram shows a beam of cathode rays entering an electric field.

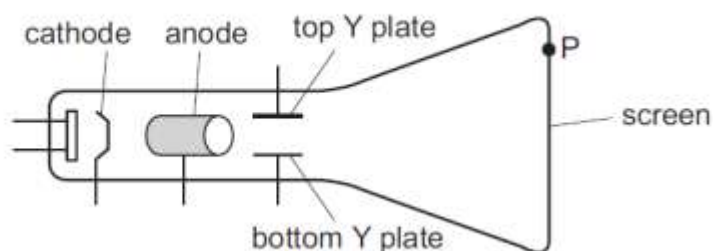


In which direction is the beam deflected by the field?

- A downwards
- B upwards
- C into the page
- D out of the page

11.

The diagram shows a cathode-ray tube.



A student wants the cathode rays to make a spot at P on the screen.

Which parts of the cathode-ray tube should be positive?

- A anode and top Y plate
- B anode and bottom Y plate
- C cathode and top Y plate
- D cathode and bottom Y plate

12.

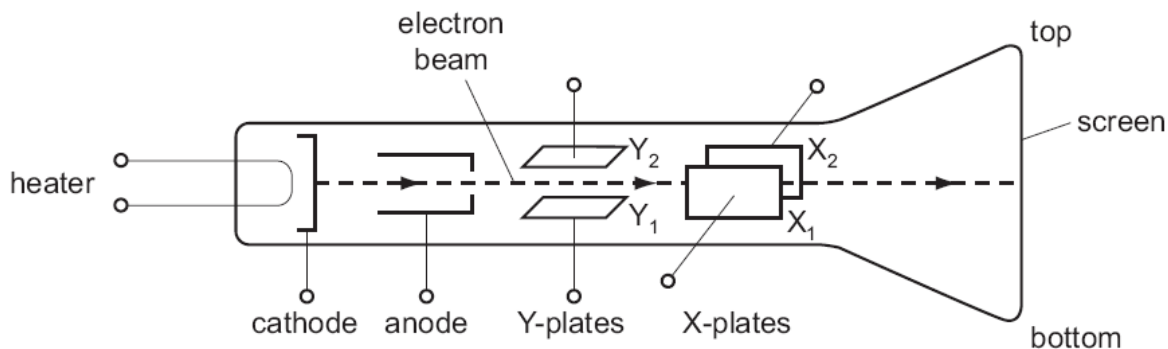
In a cathode-ray tube, a hot tungsten cathode releases particles by thermionic emission.

What are these particles?

- A  $\alpha$ -particles
- B electrons
- C protons
- D tungsten atoms

13.

The diagram shows a cathode-ray tube.

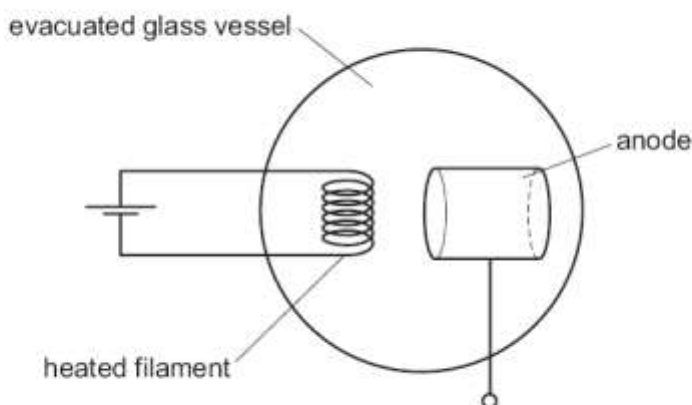


What must be done to deflect the electron beam upwards?

- A make X<sub>1</sub> more positive than X<sub>2</sub>
- B make X<sub>2</sub> more positive than X<sub>1</sub>
- C make Y<sub>1</sub> more positive than Y<sub>2</sub>
- D make Y<sub>2</sub> more positive than Y<sub>1</sub>

14.

In order to produce a beam of cathode rays, a heated filament is placed near to an anode in an evacuated glass vessel.



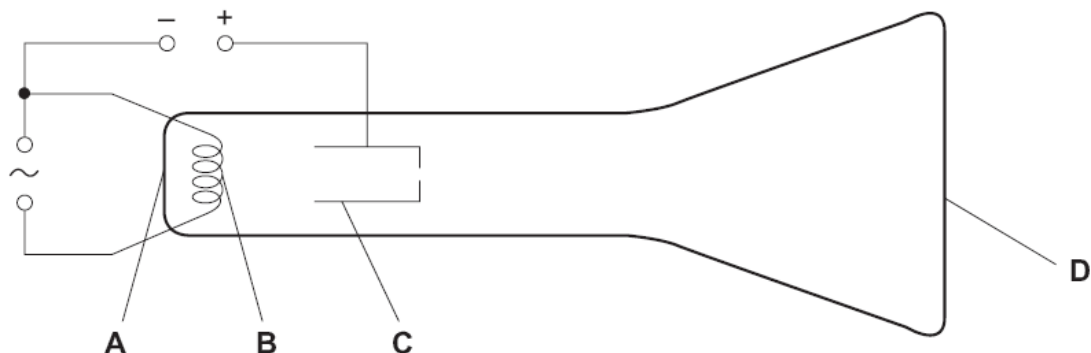
What is the type of charge on the anode and why is this charge chosen?

	charge	reason
A	negative	to attract electrons
B	negative	to repel electrons
C	positive	to attract electrons
D	positive	to repel electrons

15.

The diagram shows a simple cathode-ray tube.

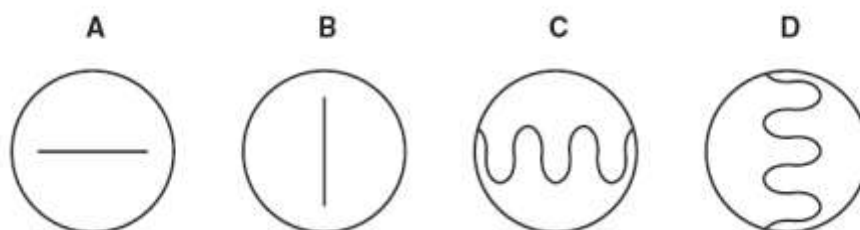
Which part emits the electrons?



16.

An alternating potential difference (p.d.) is applied to the Y-plates of a cathode-ray oscilloscope. The time-base is turned off.

Which of the following patterns would appear on the screen?



17.

A cathode-ray tube has an anode and an earthed cathode.

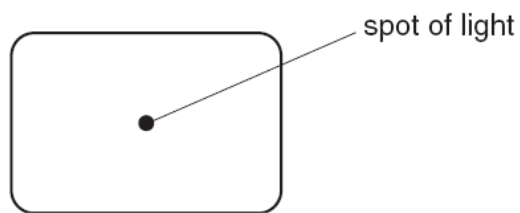
Which line in the table shows the charge and the temperature of the **anode**?

	anode charge	anode temperature
<b>A</b>	negative	cool
<b>B</b>	negative	hot
<b>C</b>	positive	cool
<b>D</b>	positive	hot



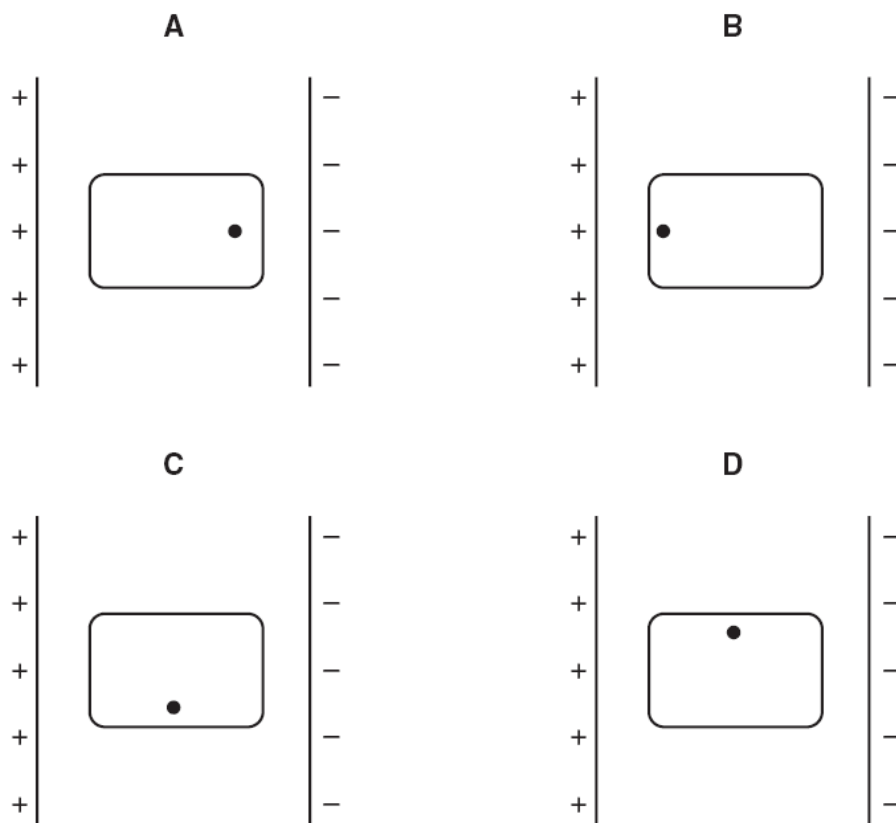
18.

The diagram below shows the screen of a cathode-ray oscilloscope tube.



The tube is placed between a pair of charged plates.

Which diagram shows the new position of the spot?

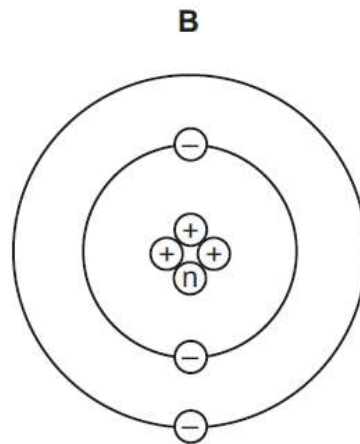
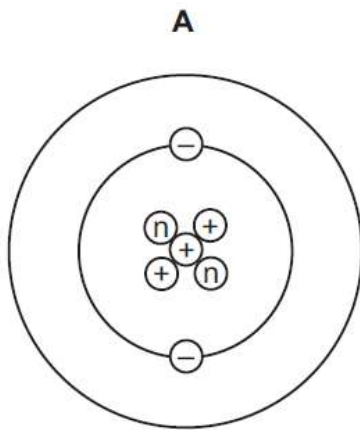


**Topic 18.1 – Atomic physics**

1.

An atom of the element lithium has a nucleon number of 7 and a proton number of 3.

Which diagram represents a neutral atom of lithium?



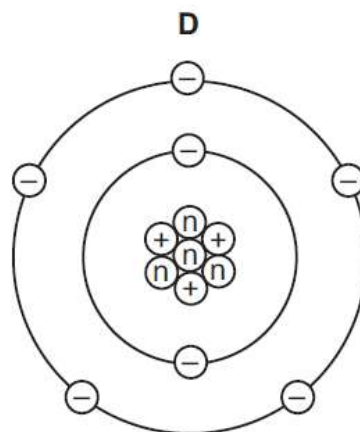
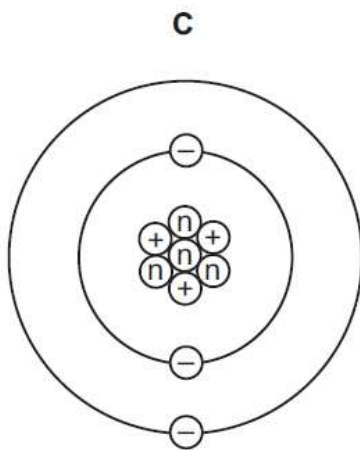
key

Ⓝ = a neutron

⊕ = a proton

⊖ = an electron

(not to scale)



2.

How many neutrons and how many protons are contained in a nucleus of  ${}^{238}_{92}\text{U}$ ?

	neutrons	protons
<b>A</b>	92	146
<b>B</b>	146	92
<b>C</b>	146	238
<b>D</b>	238	92

3.

A nuclide of substance X has the symbol  ${}^{26}_{12}\text{X}$ .

How many electrons are there in a neutral atom of substance X?

**A** 12

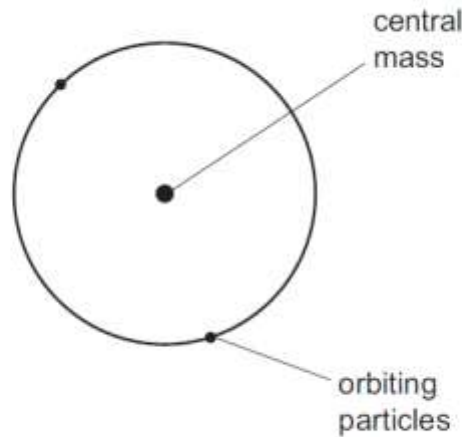
**B** 14

**C** 26

**D** 38

4.

In the atomic model, an atom consists of a central mass, orbited by much smaller particles.



What is the name of the central mass and of the orbiting particles?

	central mass	orbiting particles
<b>A</b>	neutron	$\alpha$ -particles
<b>B</b>	neutron	electrons
<b>C</b>	nucleus	$\alpha$ -particles
<b>D</b>	nucleus	electrons

5.

The nuclide notation for radium-226 is  ${}^{226}_{88}\text{Ra}$ .

How many electrons orbit the nucleus of a neutral atom of radium-226?

- A** 0                      **B** 88                      **C** 138                      **D** 226

6.

${}^{16}_7\text{N}$  is the symbol for a particular nuclide of nitrogen.

How many nucleons does this nuclide contain?

- A** 7                      **B** 9                      **C** 16                      **D** 23

7.

A uranium  ${}^{238}_{92}\text{U}$  nucleus emits an  $\alpha$ -particle.

What are the new nucleon and proton numbers?

	nucleon number	proton number
<b>A</b>	238	88
<b>B</b>	236	90
<b>C</b>	234	92
<b>D</b>	234	90

8.

A particular nuclide has the symbol  ${}_{17}^{37}\text{Cl}$ .

What is true for atoms of this nuclide?

- A There are 17 nucleons in the nucleus.
- B There are 17 protons in the nucleus.
- C There are 37 electrons in the nucleus.
- D There are 37 neutrons in the nucleus.

9.

The data below relates to the nucleus of a particular neutral atom of nitrogen.

proton number  $Z = 7$

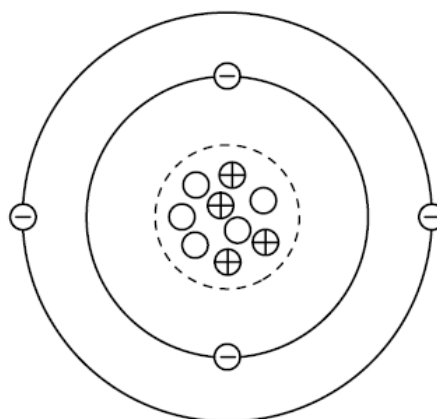
nucleon number  $A = 17$

Which row represents the correct number of neutrons and electrons in this atom?

	number of neutrons	number of electrons
<b>A</b>	10	7
<b>B</b>	10	10
<b>C</b>	17	7
<b>D</b>	17	10

10.

The diagram shows the particles in an atom. Charged particles are marked + or –.



What is the nucleon number (mass number) of the atom?

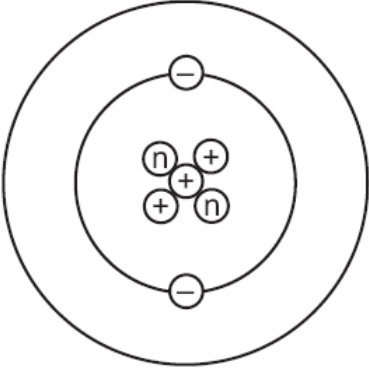
- A** 4
- B** 5
- C** 9
- D** 13

11.

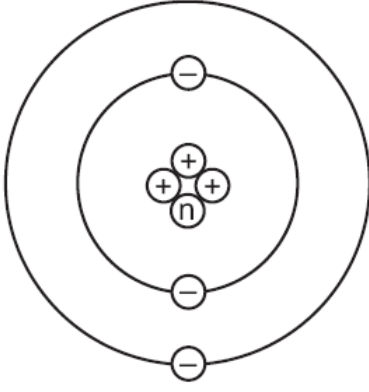
An atom of the element lithium has a nucleon number of 7 and a proton number of 3.

Which diagram represents a neutral atom of lithium?

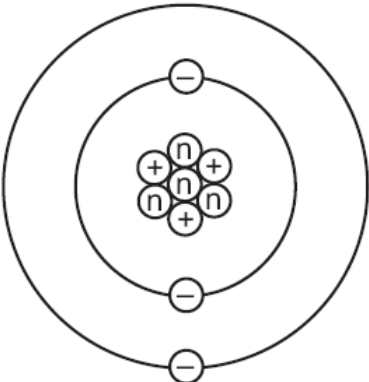
**A**



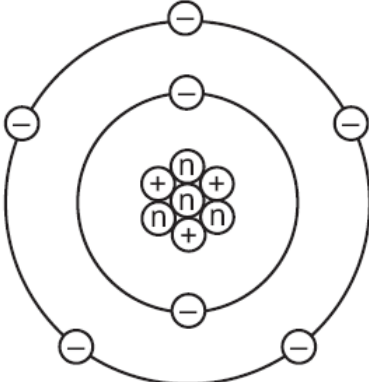
**B**



**C**



**D**



key

Ⓝ = a neutron

⊕ = a proton

⊖ = an electron

(not to scale)

12.

Which statement is true of all neutral atoms?

- A The number of electrons equals the number of nucleons.
- B The number of neutrons equals the number of protons.
- C The number of nucleons equals the number of neutrons.
- D The number of protons equals the number of electrons.

13.

How many neutrons are in a nucleus of  $^{14}_6\text{C}$  ?

- A 0
- B 6
- C 8
- D 14

14.

How many nucleons are in a nucleus of  $^{39}_{19}\text{K}$  ?

- A 19
- B 20
- C 39
- D 58

15.

The nucleus of a neutral atom of lithium is represented by  ${}^7_3\text{Li}$ .

How many protons, electrons and neutrons does the atom contain?

	protons	electrons	neutrons
<b>A</b>	7	7	3
<b>B</b>	3	7	3
<b>C</b>	3	4	4
<b>D</b>	3	3	4

16.

There are three nuclides of hydrogen.

nuclide 1	nuclide 2	nuclide 3
${}^1_1\text{H}$	${}^2_1\text{H}$	${}^3_1\text{H}$

Which of these nuclides have the same number of protons in their nuclei?

- A** 1 and 2 only
- B** 2 and 3 only
- C** all of them
- D** none of them

17.

In the symbol below, A is the nucleon number and Z is the proton number.



What is represented by the symbol?

- A** an electron
- B** a neutron
- C** a nuclide
- D** an X-ray

18.

A nuclide of lithium contains 3 protons and 4 neutrons.

Which symbol represents this nuclide?

- A**  ${}^4_3\text{Li}$
- B**  ${}^3_4\text{Li}$
- C**  ${}^7_3\text{Li}$
- D**  ${}^3_7\text{Li}$

19.

Which line in the table shows the structure of the nucleus of a helium atom  ${}^4_2\text{He}$ ?

	electrons	neutrons	protons
<b>A</b>	2	2	0
<b>B</b>	2	0	2
<b>C</b>	0	2	2
<b>D</b>	2	2	2

20.

A nucleus of substance X has the symbol  ${}^{26}_{12}\text{X}$ .

How many electrons orbit around the nucleus of a neutral atom of substance X?

**A** 12**B** 14**C** 26**D** 38

21.

An atom of lithium contains three protons and three electrons.

The nucleon number (mass number) of the atom is 7.

How many neutrons are there in the atom?

**A** 3**B** 4**C** 7**D** 10

22.

${}^{22}_{10}\text{Ne}$  represents an atom of neon.

How many neutrons does it have?

**A** 10**B** 12**C** 22**D** 32

23.

An unstable nucleus has 145 neutrons and 92 protons. It emits a  $\beta$ -particle.

How many neutrons and protons does the nucleus have after emitting the  $\beta$ -particle?

	neutrons	protons
<b>A</b>	144	92
<b>B</b>	144	93
<b>C</b>	145	91
<b>D</b>	145	93

**Topic 18.2 –Radioactivity**

1.

Which row shows the relative ionising effects and penetrating abilities of  $\alpha$ -particles and  $\beta$ -particles?

	ionising effect	penetrating ability
<b>A</b>	$\alpha$ greater than $\beta$	$\alpha$ greater than $\beta$
<b>B</b>	$\alpha$ greater than $\beta$	$\alpha$ less than $\beta$
<b>C</b>	$\alpha$ less than $\beta$	$\alpha$ greater than $\beta$
<b>D</b>	$\alpha$ less than $\beta$	$\alpha$ less than $\beta$

2.

A powder contains 400 mg of a radioactive material that emits  $\alpha$ -particles.

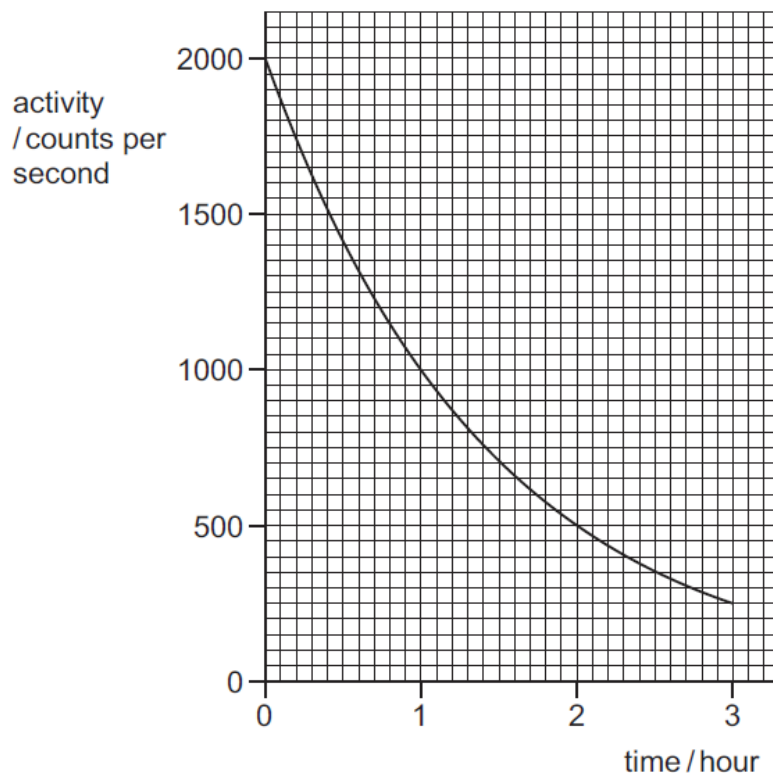
The half-life of the material is 5 days.

What mass of that material remains after 10 days?

- A** 0 mg            **B** 40 mg            **C** 100 mg            **D** 200 mg

3.

The graph shows the activity of a radioactive source over a period of time.



What is the half-life of the source?

- A**  $\frac{1}{2}$  hour            **B** 1 hour            **C**  $1\frac{1}{2}$  hours            **D** 3 hours



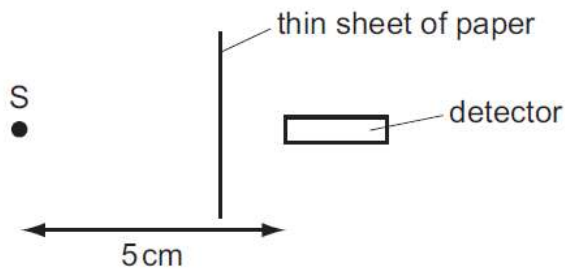
4.  
A radioactive element has a half-life of 70 s.

The number of emissions per second,  $N$ , of a sample of the element is measured at a certain time.

What was the number of emissions per second 70 s earlier?

- A** 0                      **B**  $N/2$                       **C**  $N$                       **D**  $2N$

5.  
S is a radioactive source emitting  $\alpha$ -particles,  $\beta$ -particles and  $\gamma$ -rays. A detector is placed 5 cm away from S. A thin sheet of paper is placed as shown in the diagram.



Which radiations can be detected?

- A**  $\alpha$ -particles and  $\beta$ -particles only  
**B**  $\alpha$ -particles and  $\gamma$ -rays only  
**C**  $\beta$ -particles and  $\gamma$ -rays only  
**D**  $\alpha$ -particles,  $\beta$ -particles and  $\gamma$ -rays

6.  
Which row describes the properties of  $\alpha$ -particles?

	ionizing effect	radiation stopped by aluminium?
<b>A</b>	large	no
<b>B</b>	large	yes
<b>C</b>	small	no
<b>D</b>	small	yes

7.  
A radioactive substance has a half-life of 2 weeks. At the beginning of an investigation the substance emits 3000  $\beta$ -particles per minute.

How many  $\beta$ -particles will it emit per minute after 6 weeks?

- A** 0                      **B** 375                      **C** 500                      **D** 1500

8.

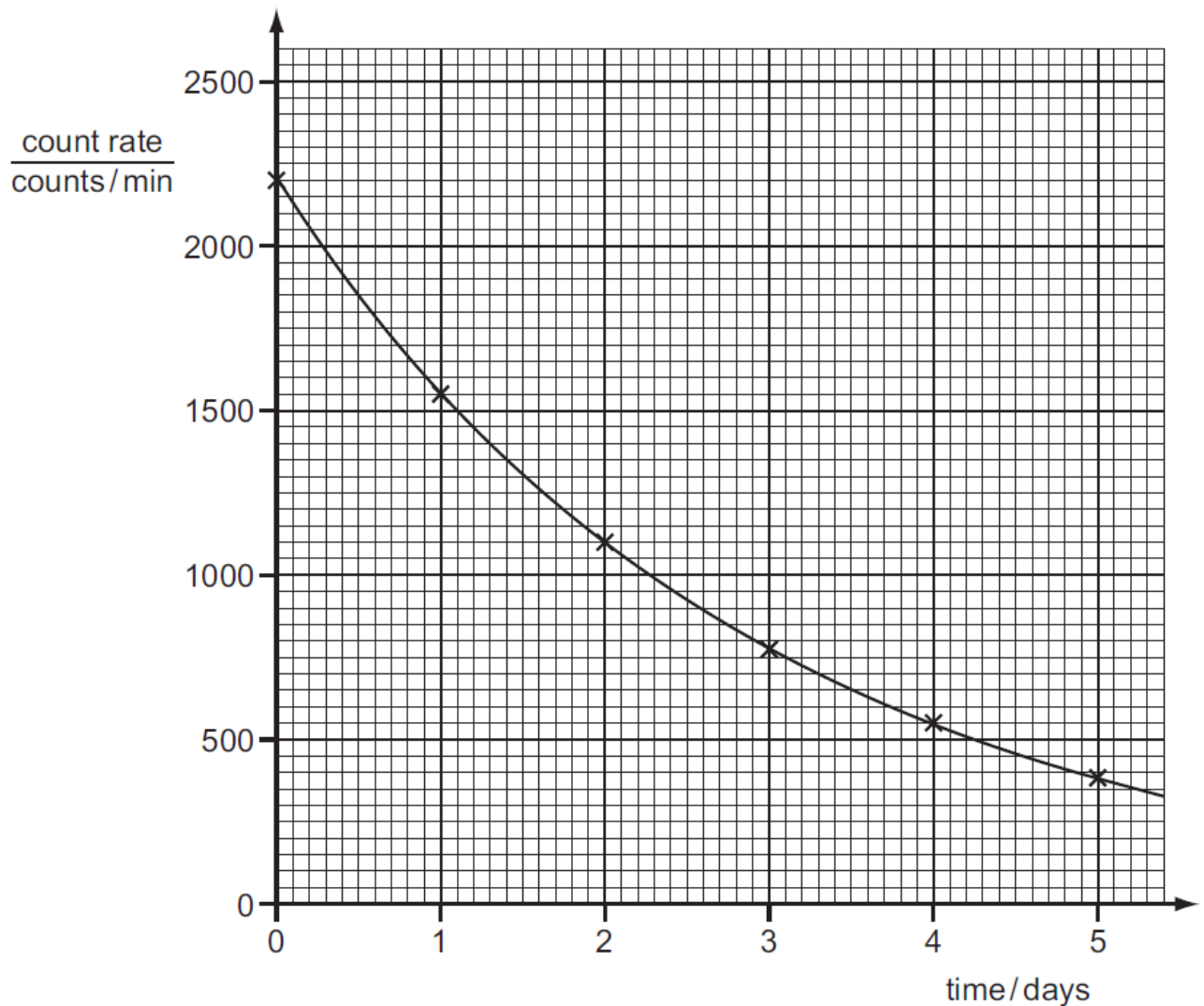
A scientist needs to use a source of  $\gamma$ -rays as safely as possible.

Which action will **not** reduce the amount of radiation that reaches the scientist?

- A** keeping the distance between the source and the scientist as large as possible
- B** keeping the temperature of the source as low as possible
- C** keeping the time for which the scientist uses the source as small as possible
- D** placing a lead screen between the scientist and the source

9.

The graph shows the decay curve for one particular radioactive nuclide.



What is the half-life of this nuclide?

- A** 1.0 day
- B** 1.5 days
- C** 2.0 days
- D** 2.5 days

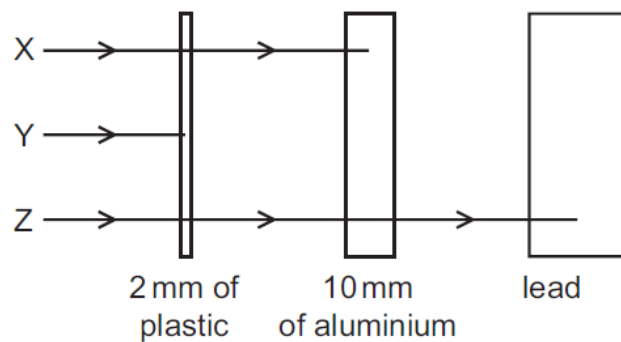
10.

Which statement explains the meaning of the half-life of a radioactive substance?

- A half the time taken for half the substance to decay
- B half the time taken for the substance to decay completely
- C the time taken for half the substance to decay
- D the time taken for the substance to decay completely

11.

The diagram shows the paths of three different types of radiation, X, Y and Z.



Which row in the table correctly identifies X, Y and Z?

	X	Y	Z
<b>A</b>	$\alpha$ -particles	$\beta$ -particles	$\gamma$ -rays
<b>B</b>	$\beta$ -particles	$\alpha$ -particles	$\gamma$ -rays
<b>C</b>	$\beta$ -particles	$\gamma$ -rays	$\alpha$ -particles
<b>D</b>	$\gamma$ -rays	$\alpha$ -particles	$\beta$ -particles

12.

Which material is commonly used as a lining for a box for storing radioactive samples?

- A aluminium
- B copper
- C lead
- D uranium

13.

The half-life of a radioactive substance is 5 hours. A sample is tested and found to contain 0.48g of the substance.

How much of the substance was present in the sample 20 hours before the sample was tested?

- A 0.03g
- B 0.12g
- C 1.92g
- D 7.68g

14.

A sample of radioactive uranium has mass 1 g. Another sample of the same material has mass 2 g.

Which property is the same for both samples?

- A the amount of radiation emitted per second
- B the half-life
- C the number of uranium atoms
- D the volume

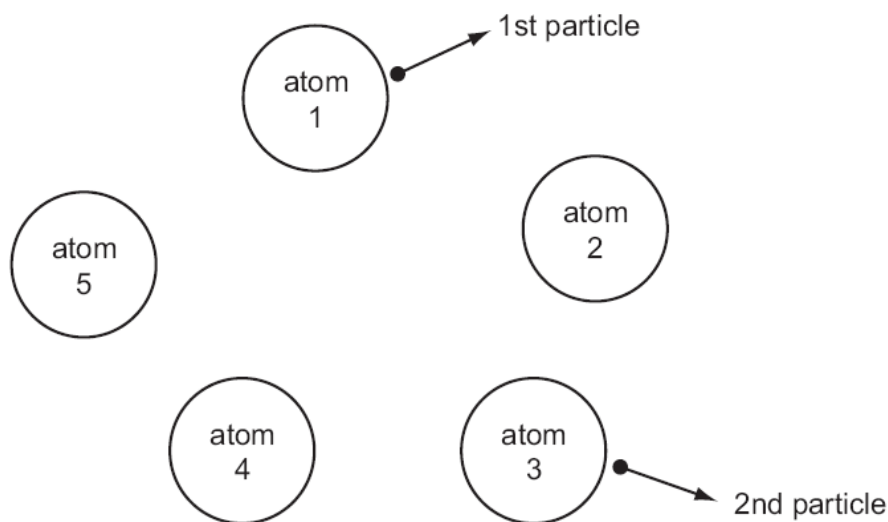
15.

What is a  $\beta$ -particle and from which part of a radioactive atom is it emitted?

	$\beta$ -particle	emitted from
A	electron	nucleus
B	electron	outer orbits
C	helium nucleus	nucleus
D	helium nucleus	outer orbits

16.

The diagram shows five atoms in a radioactive substance. The atoms each give out an  $\alpha$ -particle.



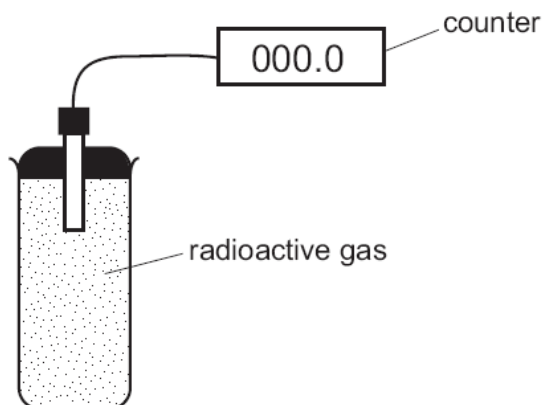
Atom 1 is the first to give out a particle. Atom 3 is the second to give out a particle.

Which atom will give out the next particle?

- A atom 2
- B atom 4
- C atom 5
- D impossible to tell

17.

The diagram shows an experiment to monitor the radiation from a radioactive gas. The counter readings are corrected for background radiation.



The table shows how the counter reading varies with time.

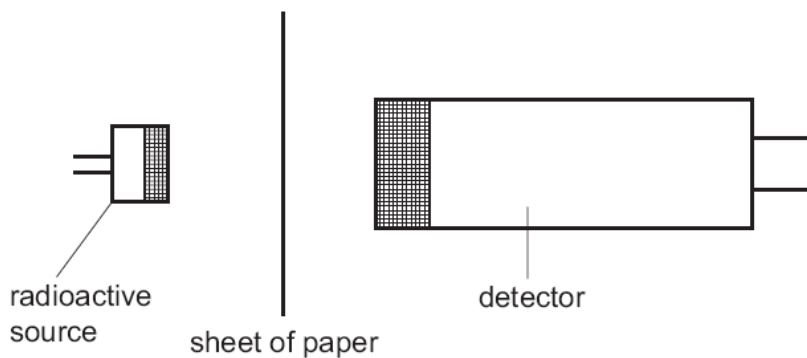
time/seconds	0	20	40	60	80	100	120	140	160	180
counter reading/ counts per minute	140	105	82	61	44	36	27	20	15	10

What is the half-life of the gas?

- A between 20 and 40 seconds
- B between 40 and 60 seconds
- C between 60 and 140 seconds
- D between 140 and 180 seconds

18.

A sheet of paper is placed between a radioactive source and a detector.



Which types of radiation can pass through the paper?

- A  $\alpha$ -particles and  $\beta$ -particles only
- B  $\alpha$ -particles and  $\gamma$ -rays only
- C  $\beta$ -particles and  $\gamma$ -rays only
- D  $\alpha$ -particles,  $\beta$ -particles and  $\gamma$ -rays

19.

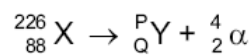
A sample of radioactive isotope is decaying.

The nuclei of which atoms will decay first?

- A impossible to know, because radioactive decay is random
- B impossible to know, unless the age of the material is known
- C atoms near the centre, because they are surrounded by more atoms
- D atoms near the surface, because the radiation can escape more easily

20.

The equation shows the decay of the nuclide X.

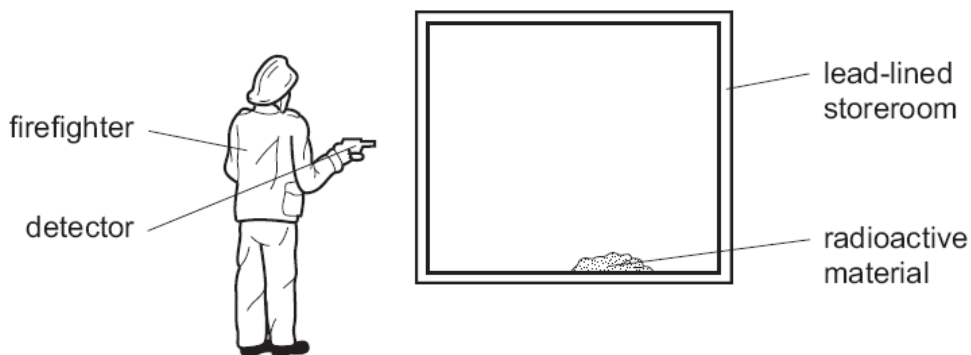


What are the values of P and Q?

	P	Q
A	230	90
B	230	86
C	222	90
D	222	86

21.

During a fire in a laboratory storeroom, some radioactive material was spilled. A firefighter detected radiation through the lead-lined walls of the storeroom. The radiation was emitted by the radioactive material.



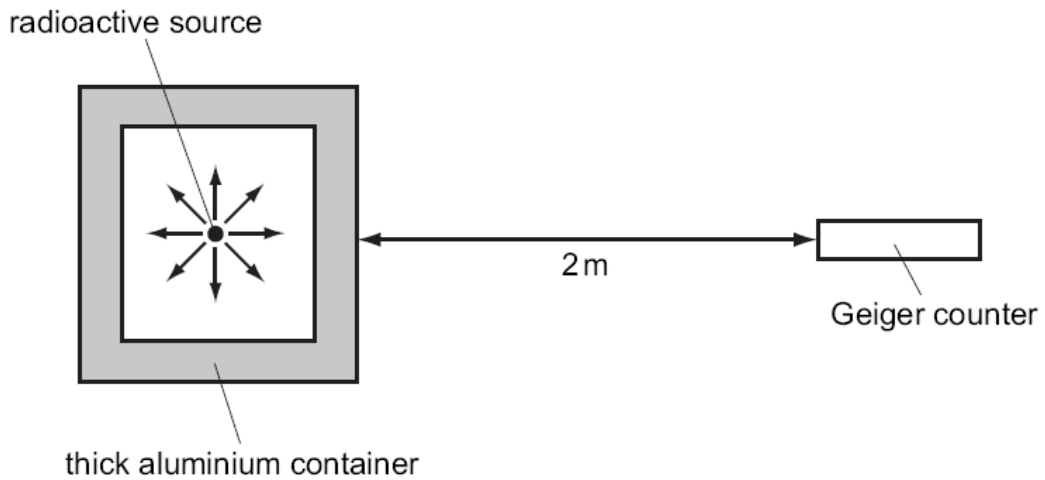
Which type of radiation was being detected?

- A  $\alpha$ -particles
- B  $\beta$ -particles
- C  $\gamma$ -rays
- D X-rays

22.

A Geiger counter detects radiation from radioactive sources.

A radioactive source is inside a thick aluminium container as shown.

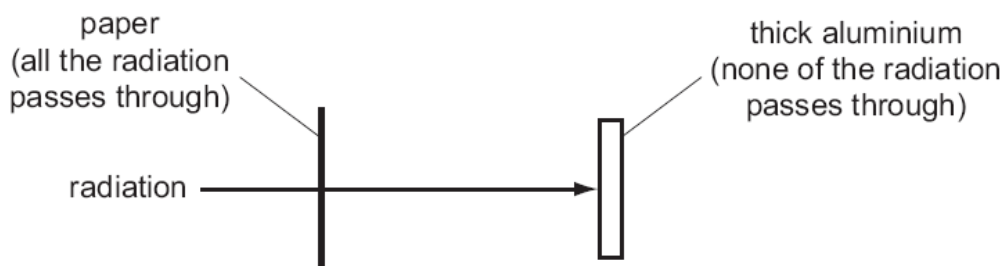


Which type of radiation from this source is being detected?

- A  $\alpha$ -particles
- B  $\beta$ -particles
- C  $\gamma$ -rays
- D radio waves

23.

A radioactive source emits radiation that can pass through a sheet of paper but not through thick aluminium.

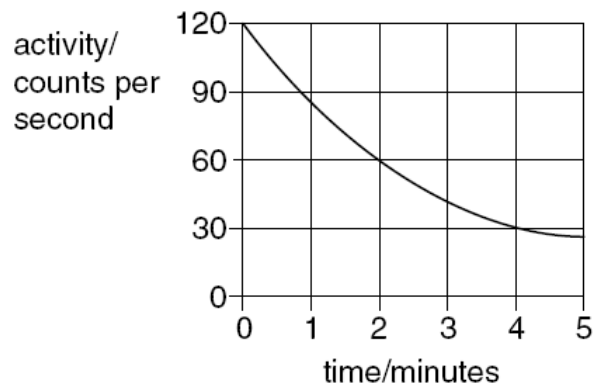


What does this show about the radiation?

- A It is  $\alpha$ -particles.
- B It is  $\beta$ -particles.
- C It is  $\gamma$ -rays.
- D It is a mixture of  $\alpha$ -particles and  $\gamma$ -rays.

24.

The graph shows the activity of a radioactive source over a period of time.

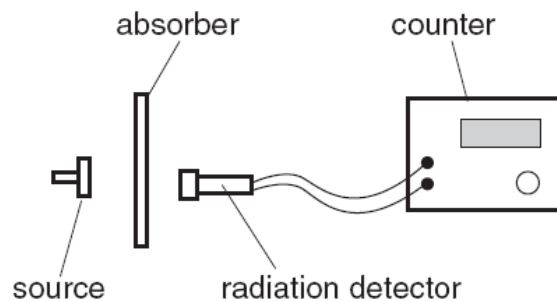


What is the half-life of the source?

- A** 1 minute      **B** 2 minutes      **C** 2½ minutes      **D** 4 minutes

25.

The diagram shows a radioactivity experiment.



When a piece of paper is used as the absorber, the count rate drops to the background count rate.

What radiation is the source emitting?

- A** alpha only  
**B** beta only  
**C** gamma only  
**D** alpha, beta and gamma

26.

A powder contains 400mg of a radioactive material that emits  $\alpha$ -particles.

The half-life of the material is 5 days.

What mass of that material remains after 10 days?

- A** 0 mg      **B** 40 mg      **C** 100 mg      **D** 200 mg



27.

The count rates of four radioactive sources were measured at the same time on three consecutive days.

Which source has a half-life of two days?

	Monday	Tuesday	Wednesday
<b>A</b>	100	50	25
<b>B</b>	200	140	100
<b>C</b>	300	300	300
<b>D</b>	400	200	100

28.

Which line correctly describes  $\alpha$ -particles?

	electric charge	penetrates 1 cm of aluminium?
<b>A</b>	negative	yes
<b>B</b>	negative	no
<b>C</b>	positive	yes
<b>D</b>	positive	no

29.

A small amount of a radioactive isotope contains 72 billion unstable nuclei. The half-life of the isotope is 4 hours.

How many unstable nuclei would remain after 12 hours?

- A** 6 billion
- B** 9 billion
- C** 18 billion
- D** 24 billion

30.

What are the most penetrating and the least penetrating types of radiation?

	most penetrating	least penetrating
<b>A</b>	$\alpha$ -particles	$\beta$ -particles
<b>B</b>	$\beta$ -particles	$\alpha$ -particles
<b>C</b>	$\gamma$ -rays	$\alpha$ -particles
<b>D</b>	$\gamma$ -rays	$\beta$ -particles

31.

The half-life of a radioactive substance is 5 hours. A sample is tested and found to contain 0.48 g of the substance.

How much of the substance was present in the sample 20 hours before the sample was tested?

- A 0.03 g
- B 0.12 g
- C 1.92 g
- D 7.68 g

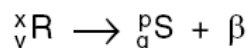
32.

Which line in the table describes the nature of an  $\alpha$ -particle and a  $\gamma$ -ray?

	$\alpha$ -particle	$\gamma$ -ray
<b>A</b>	helium nucleus	electromagnetic radiation
<b>B</b>	helium nucleus	electron
<b>C</b>	proton	electromagnetic radiation
<b>D</b>	proton	electron

33.

A radioactive nucleus R decays with the emission of a  $\beta$ -particle as shown.



Which equation is correct?

- A  $x = p$
- B  $y = q$
- C  $p = x - 1$
- D  $q = y - 1$

34.

A sample of a radioactive isotope is decaying.

Which atoms will decay first?

- A impossible to know, because radioactive decay is random
- B impossible to know, unless the age of the material is known
- C atoms near the centre, because they are surrounded by more atoms
- D atoms near the surface, because the radiation can escape more easily

35.

What is a beta-particle?

- A a helium nucleus
- B a high-energy electron
- C four protons
- D two neutrons

36.

Which line in the table describes the nature of an  $\alpha$ -particle and of a  $\gamma$ -ray?

	$\alpha$ -particle	$\gamma$ -ray
A	helium nucleus	electromagnetic radiation
B	helium nucleus	electron
C	proton	electromagnetic radiation
D	proton	electron

37.

The count rate of radiation produced by a radioactive sample is measured every minute. The results are recorded in the table.

time / minutes	count rate / per second
0	80
1	56
2	40
3	28
4	20
5	14

What is the half-life of the radioactive material?

- A  $\frac{1}{2}$  minute
- B 2 minutes
- C  $2\frac{1}{2}$  minutes
- D 5 minutes

38.

Which type of radiation has the greatest ionising effect?

- A  $\alpha$ -particles
- B  $\beta$ -particles
- C  $\gamma$ -rays
- D all have the same ionising effect