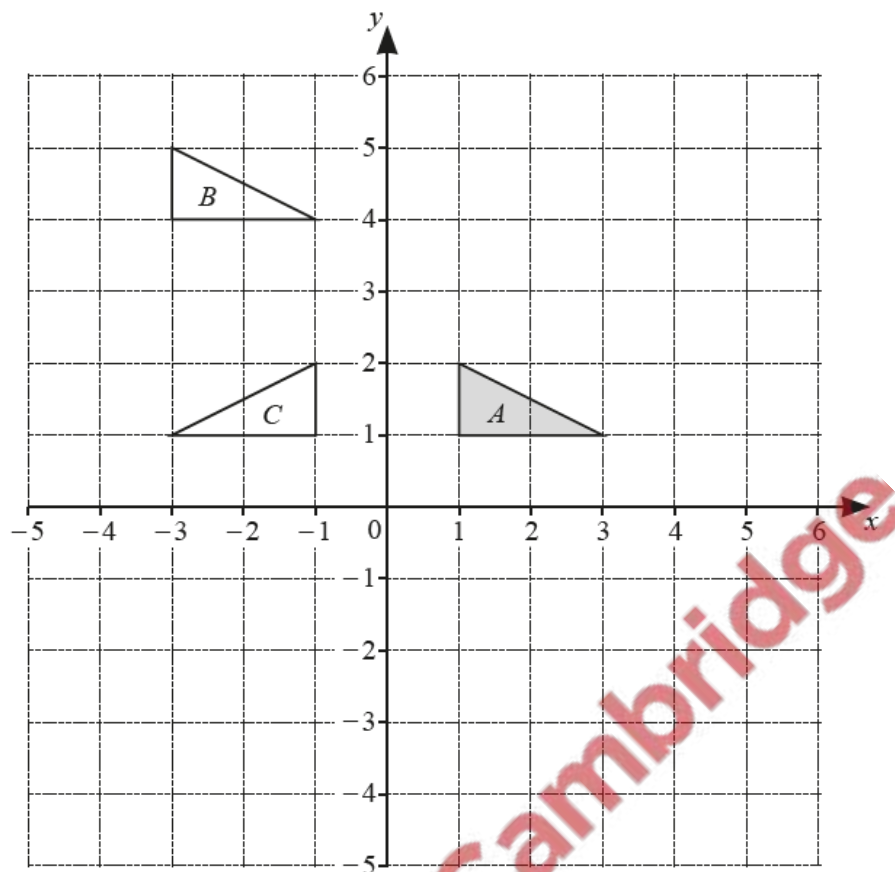


1. June/2022/Paper_21/No.10



The diagram shows triangles A , B and C .

- (a) Describe fully the **single** transformation that maps triangle A onto triangle B .

..... [2]

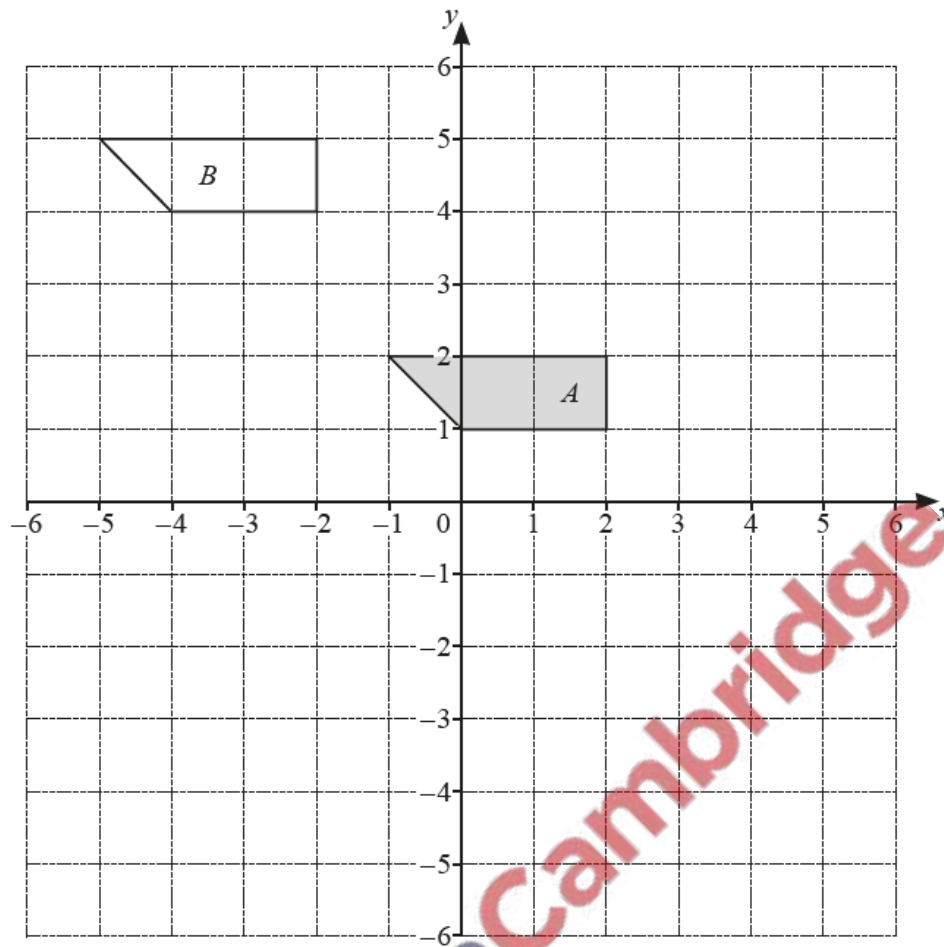
- (b) Find the matrix representing the transformation that maps triangle A onto triangle C .

$\left(\begin{array}{cc} & \\ & \end{array} \right)$ [1]

- (c) Triangle A is mapped onto triangle D by an enlargement with centre $(2, 3)$ and scale factor 3.

Draw triangle D . [2]

(c)



The diagram shows shape *A* and shape *B*.

- (i) Describe fully the **single** transformation that maps shape *A* onto shape *B*.

..... [2]

- (ii) The transformation represented by the matrix $\begin{pmatrix} -2 & 0 \\ 0 & -2 \end{pmatrix}$ maps shape *A* onto shape *C*.

Draw and label shape *C*. [2]