



Cambridge O Level

CANDIDATE
NAME

CENTRE
NUMBER

--	--	--	--	--

CANDIDATE
NUMBER

--	--	--	--



PHYSICS

5054/31

Paper 3 Practical Test

October/November 2023

1 hour 30 minutes

You must answer on the question paper.

You will need: The materials and apparatus listed in the confidential instructions

INSTRUCTIONS

- Answer **all** questions.
- Use a black or dark blue pen. You may use an HB pencil for any diagrams or graphs.
- Write your name, centre number and candidate number in the boxes at the top of the page.
- Write your answer to each question in the space provided.
- Do **not** use an erasable pen or correction fluid.
- Do **not** write on any bar codes.
- You may use a calculator.
- You should show all your working and use appropriate units.

INFORMATION

- The total mark for this paper is 40.
- The number of marks for each question or part question is shown in brackets [].

For Examiner's Use	
1	
2	
3	
4	
Total	

This document has **16** pages. Any blank pages are indicated.

1 In this experiment you will determine the speed of a wave on the surface of water.

You are provided with:

- a plate filled with water
- a dropping pipette
- a stop-watch
- a 30 cm ruler
- a small beaker of water
- paper towels to mop up any spillages.

(a) Fig. 1.1 shows a scale marked on the side of the dropping pipette.

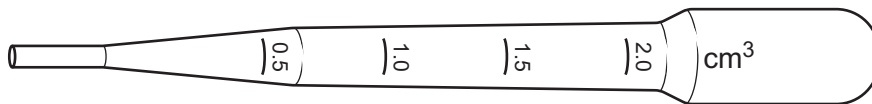


Fig. 1.1

Describe the technique you use to put 1.0 cm^3 of water into the dropping pipette.

.....

.....

.....

..... [3]

(b) Fig. 1.2 shows a wavefront moving outwards from the centre of the plate. The wavefront is produced by **one drop** of water from the dropping pipette.

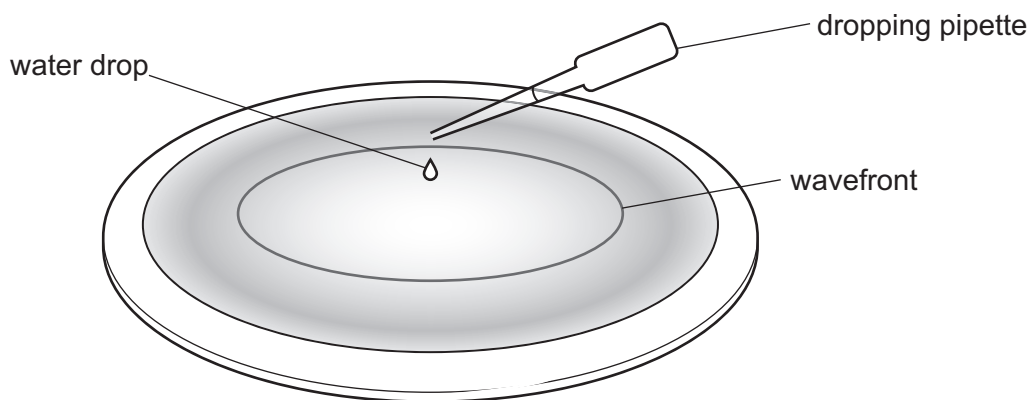


Fig. 1.2

Using the dropping pipette, let one drop of water fall into the centre of the plate.

Observe a wavefront travel to the edge of the plate, reflect back to the centre and then travel back out again. The wavefront will move in and out several times.

- (i) Take measurements to determine an accurate time t for the wavefront to travel **once** from the centre of the plate and back to the centre.

$t = \dots\dots\dots$ s [2]

- (ii) Using your answer to (b)(i) calculate the speed of the wavefront.

You will need to make and record an additional measurement.

Use the equation:

$$\text{speed} = \frac{\text{distance}}{\text{time}}$$

speed = $\dots\dots\dots$ cm/s [2]

- (c) (i) Identify **two** causes of uncertainty in this experiment.

1 $\dots\dots\dots$
 $\dots\dots\dots$
 $\dots\dots\dots$

2 $\dots\dots\dots$
 $\dots\dots\dots$
 $\dots\dots\dots$

[2]

- (ii) Suggest **one** improvement that could be made to this experiment.

$\dots\dots\dots$
 $\dots\dots\dots$
 $\dots\dots\dots$ [1]

[Total: 10]

2 In this experiment you will investigate the resistance of a resistance wire.

You are provided with:

- a power source
- a length of resistance wire attached to a metre rule
- a resistor of resistance $10\ \Omega$
- a voltmeter
- connecting leads
- a switch
- a flying lead with a crocodile clip at the free end.

The supervisor has assembled the apparatus as shown in Fig. 2.1.

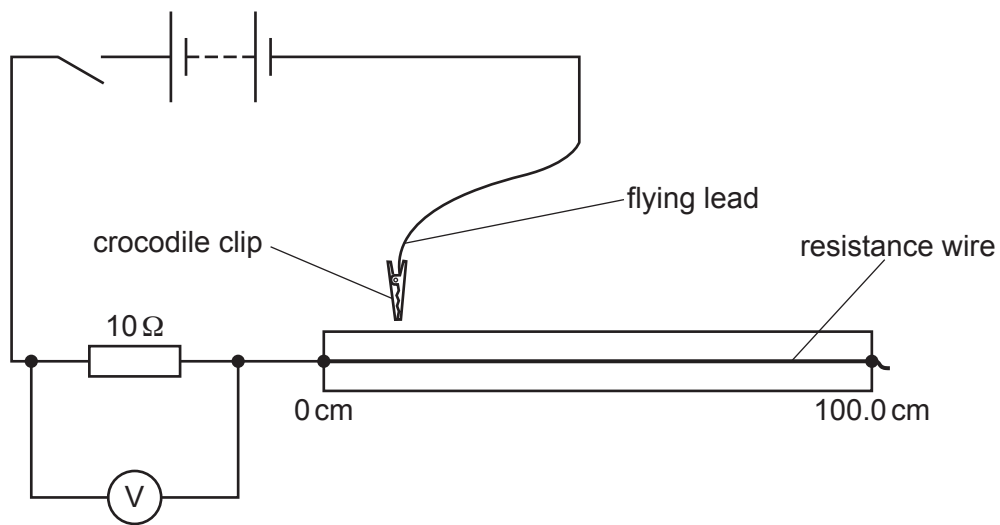


Fig. 2.1

The crocodile clip at the end of the flying lead may be connected at different points along the length of the resistance wire.

(a) Close the switch.

- Connect the crocodile clip attached to the flying lead to the resistance wire at the 100.0 cm mark on the metre rule.
- Read the voltage V shown on the voltmeter and then remove the crocodile clip from the wire.
- Record in Table 2.1 your reading of voltage V .
- Repeat and record V for lengths $L = 80.0$ cm, 60.0 cm, 40.0 cm and 20.0 cm of the resistance wire.

Remove the crocodile clip from the wire between each reading. Open the switch after you have recorded V for all lengths L .

Table 2.1

L	V	I	$\frac{1}{I}$
100.0			
80.0			
60.0			
40.0			
20.0			

Calculate the current I for each length L shown in Table 2.1, using the equation $I = \frac{V}{10}$.

Record your answers in Table 2.1.

Calculate values of $\frac{1}{I}$ for each length L shown in Table 2.1 and record your answers in Table 2.1.

Write the units in the top row of the table. [4]

(b) (i) On the grid on page 7, plot a graph of $\frac{1}{I}$ on the y -axis against L on the x -axis.

Start both axes from the origin (0,0). [2]

(ii) Draw the straight line of best fit. Extend this line to intercept the y -axis. [1]

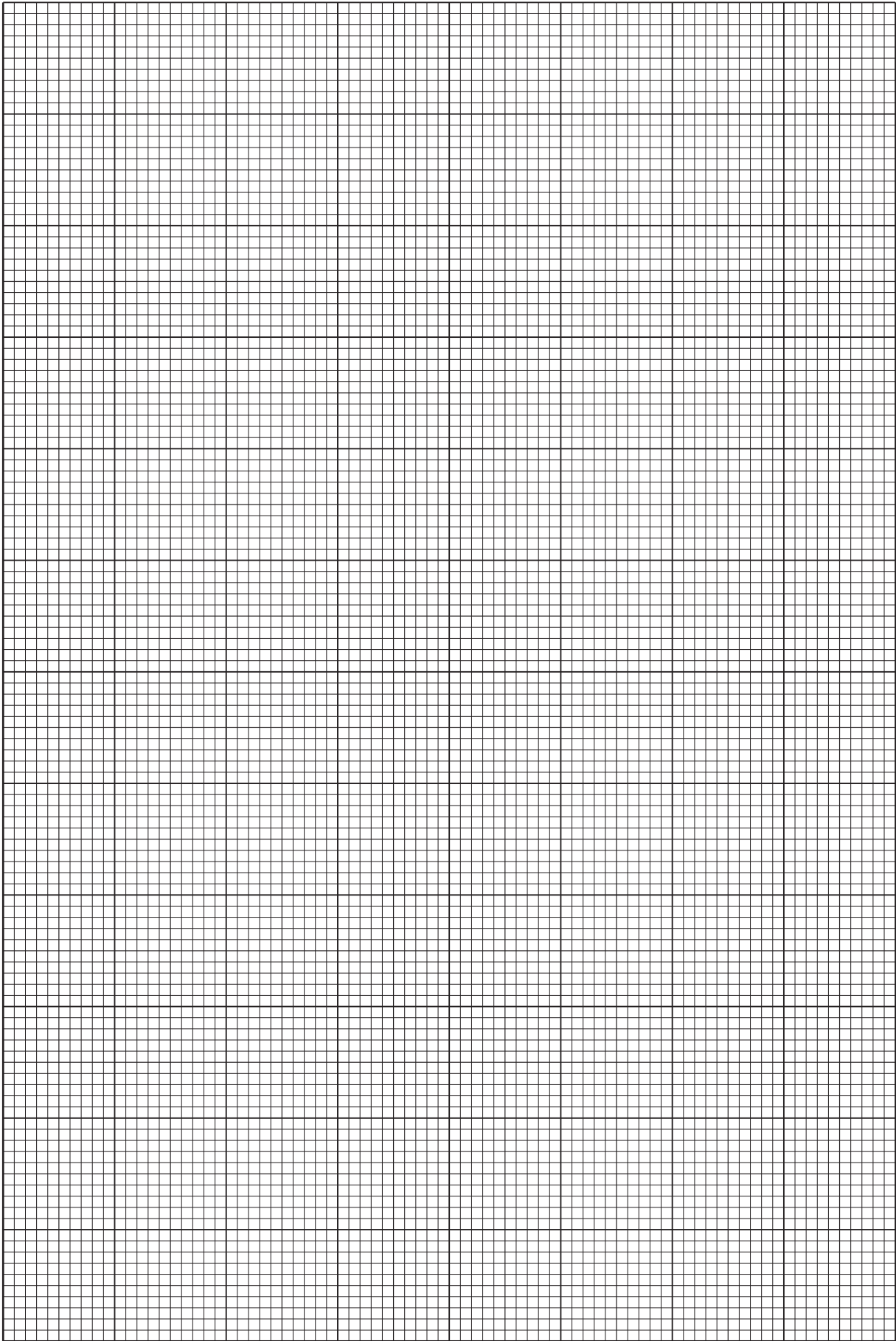
(iii) Determine the gradient G and y -intercept c of this line.

Show clearly on the graph the values you choose and show your working.

gradient $G =$

y -intercept $c =$

[2]



(c) Theory suggests that:

$$R_w = \frac{1000 G}{c}$$

where R_w is the resistance of the resistance wire.

Use your values in **(b)(iii)** to determine R_w .

Show your working.

$$R_w = \dots\dots\dots \Omega \text{ [1]}$$

[Total: 10]

Question 3 starts over the page.

3 In this experiment you will investigate the indentation made by a glass ball in the surface of some modelling clay.

You have been provided with:

- a glass ball
- two 100 g masses
- a small lump of adhesive putty
- a metre rule
- a set square.

(a) (i) Describe briefly how to use the apparatus in Fig. 3.1 to determine the diameter of the glass ball.

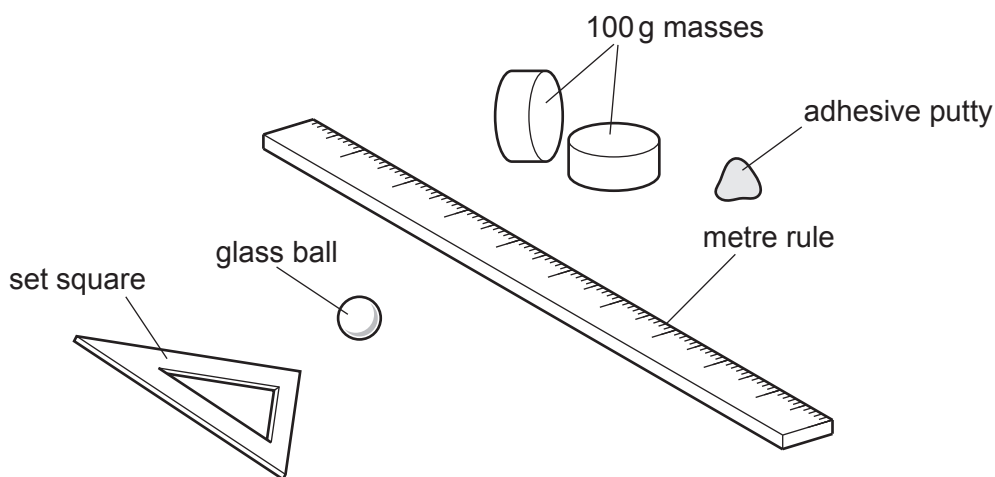


Fig. 3.1

Draw a labelled diagram of the arranged apparatus to help your explanation.

.....

.....

.....

..... [3]

(ii) Measure and record the diameter D of the glass ball.

$D =$ mm [1]

(b) You are also provided with:

- a stand, boss, clamp and G-clamp
- a wooden strip
- a piece of modelling clay
- a loop of string
- a 30 cm ruler
- a mass hanger.

The supervisor has clamped the wooden strip. Ensure that the clamp is able to rotate freely in the boss.

- Place the glass ball and the modelling clay between the centre of the wooden strip and the bench as shown in Fig. 3.2.

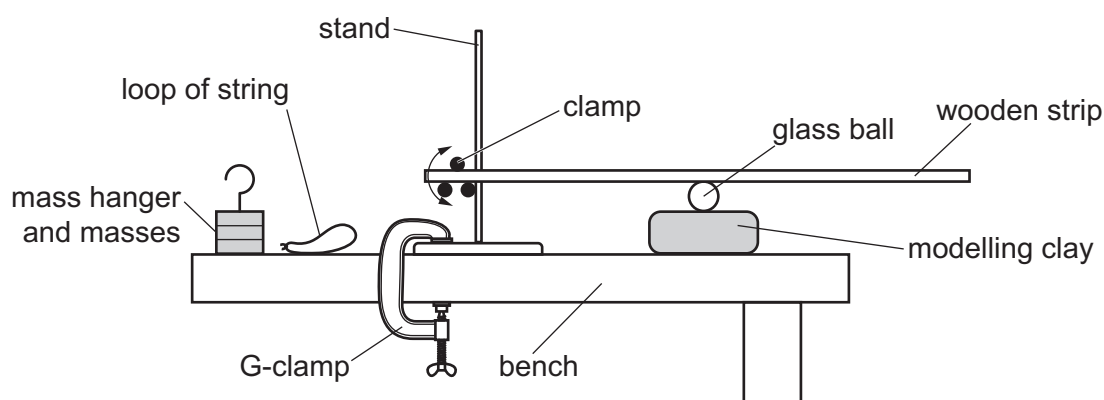


Fig. 3.2

- Put the two 100g masses onto the mass hanger.

The combined weight F_1 of the mass hanger and both 100g masses is 3.0N.

- Place the mass hanger and masses directly above the glass ball for about one minute.
- Remove the mass hanger and masses.
- Raise the wooden strip and remove the ball from the modelling clay.

Observe a small circle where the ball has been pressed into the surface of the clay. This is an indentation.

- (i) Measure and record the diameter d_1 of the indentation.

$$d_1 = \dots\dots\dots \text{mm} \quad [1]$$

- (ii) The area of a circle can be calculated using the equation:

$$A = \frac{\pi d^2}{4}$$

where A is the area and d is the diameter of the circle.

Calculate the area A_1 of the indentation with diameter d_1 .

$$A_1 = \dots\dots\dots \text{mm}^2 \quad [1]$$

- (c) (i) • Replace the ball on a different part of the modelling clay under the wooden strip.
 • Lower the strip so that it rests on top of the wooden ball.
 • Using the loop of string attach the mass hanger and masses near the end of the wooden strip as shown in Fig. 3.3.

Measure and record x and y in metres to the nearest mm.

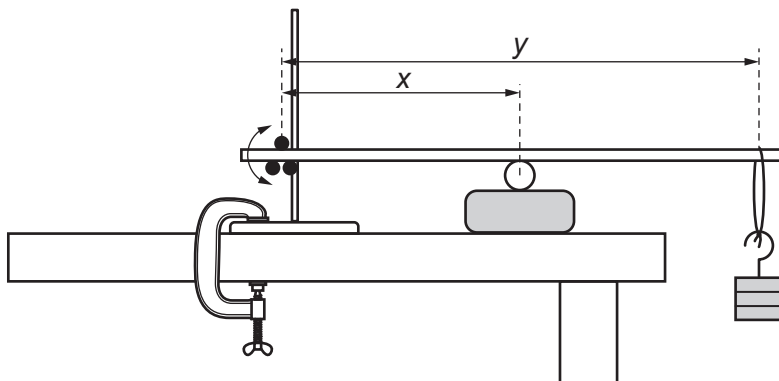


Fig. 3.3

$x =$ m

$y =$ m

[1]

- (ii) Calculate the force F_2 exerted on the modelling clay using the equation:

$$F_2 = \frac{3y}{x}$$

Show your working.

$F_2 =$ N [1]

- (iii) Measure and record the diameter d_2 of the indentation produced by the ball in the clay.

Using the equation in (b)(ii), calculate the area A_2 of the circle with diameter d_2 .

$d_2 =$ mm

$A_2 =$ mm²
[1]

(d) A student claims that:

$$A_2 = kA_1 \text{ and } F_2 = kF_1$$

where k is a constant and $F_1 = 3.0\text{N}$.

(i) Using your values of F_2 , A_1 and A_2 from (c)(ii), (b)(ii) and (c)(iii) calculate **two** values of k .

Record your answers to a suitable number of significant figures.

first value of $k = \dots\dots\dots$

second value of $k = \dots\dots\dots$

[2]

(ii) Values of k are assumed to be the same within the limits of experimental accuracy if they are within 10% of each other.

Explain whether these results show that the student's claim is correct.

.....

 [1]

(e) Students in another laboratory obtain different values of A_1 and A_2 using the same arrangement of the apparatus.

Identify **two** variables that should be controlled to ensure similar values of A_1 and A_2 when using modelling clay.

1

2

[2]

[Total: 14]

- 4 A student investigates the factors affecting the bend angle θ of a metal strip.

The student places a thin straight metal strip on two supports and attaches a mass of weight W to the middle of the strip. The metal strip bends as shown in Fig. 4.1.

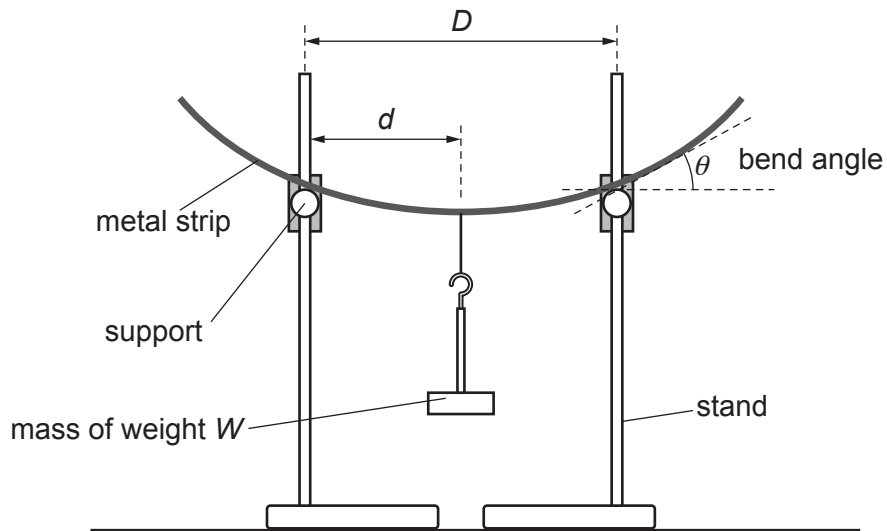


Fig. 4.1

Plan an experiment to investigate **one** variable affecting the bend angle θ shown on Fig. 4.1.

You are **not** required to do this investigation.

In your plan, you should:

- explain briefly how to carry out the investigation, including how you will measure θ
- state the variables to control
- draw a table, or tables, with column headings, to show how to display your readings (you are **not** required to enter any readings in the table)
- explain how to use your readings to reach a conclusion.

You may draw a diagram if you think this will help your plan.

.....

.....

.....

A series of 28 horizontal dotted lines for writing.

[6]

BLANK PAGE

Permission to reproduce items where third-party owned material protected by copyright is included has been sought and cleared where possible. Every reasonable effort has been made by the publisher (UCLES) to trace copyright holders, but if any items requiring clearance have unwittingly been included, the publisher will be pleased to make amends at the earliest possible opportunity.

To avoid the issue of disclosure of answer-related information to candidates, all copyright acknowledgements are reproduced online in the Cambridge Assessment International Education Copyright Acknowledgements Booklet. This is produced for each series of examinations and is freely available to download at www.cambridgeinternational.org after the live examination series.

Cambridge Assessment International Education is part of Cambridge Assessment. Cambridge Assessment is the brand name of the University of Cambridge Local Examinations Syndicate (UCLES), which is a department of the University of Cambridge.