



Cambridge International AS & A Level

CANDIDATE NAME



CENTRE NUMBER

--	--	--	--	--

CANDIDATE NUMBER

--	--	--	--



COMPUTER SCIENCE

9618/33

Paper 3 Advanced Theory

October/November 2024

1 hour 30 minutes

You must answer on the question paper.

No additional materials are needed.

INSTRUCTIONS

- Answer **all** questions.
- Use a black or dark blue pen.
- Write your name, centre number and candidate number in the boxes at the top of the page.
- Write your answer to each question in the space provided.
- Do **not** use an erasable pen or correction fluid.
- Do **not** write on any bar codes.
- You may use an HB pencil for any diagrams, graphs or rough working.
- Calculators must **not** be used in this paper.

INFORMATION

- The total mark for this paper is 75.
- The number of marks for each question or part question is shown in brackets [].
- No marks will be awarded for using brand names of software packages or hardware.

This document has **16** pages. Any blank pages are indicated.





1 Numbers are stored in a computer using binary floating-point representation with:

- 10 bits for the mantissa
- 6 bits for the exponent
- two's complement form for both the mantissa and the exponent.

(a) Calculate the normalised binary floating-point representation of +201.125 in this system.

Show your working.

Mantissa

Exponent

--	--	--	--	--	--	--	--	--	--

--	--	--	--	--	--

Working

.....

.....

.....

.....

.....

.....

[3]

(b) Calculate the denary value of the given normalised binary floating-point number.

Show your working.

Mantissa

Exponent

1	0	1	0	1	1	0	0	1	1
---	---	---	---	---	---	---	---	---	---

0	0	0	1	0	1
---	---	---	---	---	---

Working

.....

.....

.....

.....

.....

.....

Answer

[3]





2 Reduced Instruction Set Computers (RISC) is a type of processor.

Identify **four** features of a RISC processor.

- 1
-
- 2
-
- 3
-
- 4
-

[4]

3 (a) Describe circuit switching as a method of data transmission.

-
-
-
-
-
-
-
-

[3]

(b) State **one** benefit and **one** drawback of circuit switching as a method of data transmission.

- Benefit
-
- Drawback
-

[2]



DO NOT WRITE IN THIS MARGIN



4 The TCP/IP protocol may be viewed as a stack that contains four layers: Application, Transport, Internet, Link.

Describe how the layers of the TCP/IP protocol stack interact with each other.

.....

.....

.....

.....

.....

.....

.....

.....

..... [4]

5 (a) Explain what is meant by a hashing algorithm in the context of file access.

.....

.....

.....

.....

.....

.....

.....

..... [3]

(b) The use of a hashing algorithm can result in the same storage location being identified for more than one record.

Outline **two** methods of overcoming this issue.

1

.....

2

.....

..... [2]

DO NOT WRITE IN THIS MARGIN





6 (a) Describe the user-defined data type `set`.

.....

.....

.....

.....

.....

.....

..... [3]

(b) Write **pseudocode** statements to declare the set data type, `SymbolSet`, to hold the following set of mathematical operators, using the variable `Operators`.

+ - * / ^

.....

.....

.....

.....

.....

.....

.....

.....

..... [4]

DO NOT WRITE IN THIS MARGIN





7 The truth table for a logic circuit is shown.

INPUT				OUTPUT
A	B	C	D	T
0	0	0	0	0
0	0	0	1	1
0	0	1	0	0
0	0	1	1	1
0	1	0	0	0
0	1	0	1	0
0	1	1	0	0
0	1	1	1	0
1	0	0	0	0
1	0	0	1	1
1	0	1	0	0
1	0	1	1	1
1	1	0	0	0
1	1	0	1	1
1	1	1	0	0
1	1	1	1	1

(a) Write the Boolean logic expression that corresponds to the given truth table as the sum-of-products.

T =
..... [3]

DO NOT WRITE IN THIS MARGIN





(b) Complete the Karnaugh map (K-map) for the given truth table.

		AB			
		00	01	11	10
CD	00				
	01				
	11				
	10				

[2]

(c) Draw loop(s) around appropriate group(s) in the K-map to produce an optimal sum-of-products. [2]

(d) (i) Write the Boolean logic expression from your answer to part (c) as the simplified sum-of-products.

T = [2]

(ii) Use Boolean algebra to write your answer to part (d)(i) in its simplest form.

T = [1]

DO NOT WRITE IN THIS MARGIN





8 (a) Describe the process of **segmentation** for memory management.

.....

.....

.....

.....

.....

.....

.....

.....

.....

.....

..... [4]

(b) Explain what is meant by **disk thrashing**.

.....

.....

.....

.....

.....

.....

.....

.....

.....

..... [3]

DO NOT WRITE IN THIS MARGIN

DO NOT WRITE IN THIS MARGIN

DO NOT WRITE IN THIS MARGIN

DO NOT WRITE IN THIS MARGIN

DO NOT WRITE IN THIS MARGIN





9 A veterinary surgery wants to create a class for individual pets. Some of the attributes required in the class are listed in the table.

Attribute	Data type	Description
PetID	STRING	unique ID assigned at registration
PetType	STRING	type of pet assigned at registration
OwnerTelephone	STRING	telephone number of owner assigned at registration
DateRegistered	DATE	date of registration

(a) State **one** reason why the attributes would be declared as `PRIVATE`.

.....

..... [1]

(b) Complete the class diagram for `Pet`, to include:

- an attribute and data type for the name of the pet
- an attribute and data type for the name of the owner
- a method to create a `Pet` object and set attributes at the time of registration
- a method to assign a pet ID
- a method to assign the date of registration
- a method to return the pet name
- a method to return the owner's telephone number.

Pet	
PetID	: STRING
PetType	: STRING
OwnerTelephone	: STRING
DateRegistered	: DATE
.....	:
.....	:
.....
.....
.....
.....

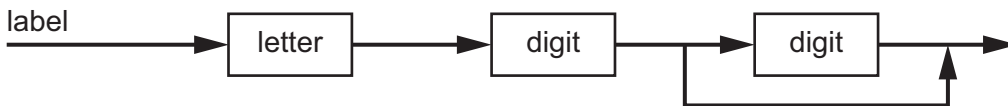
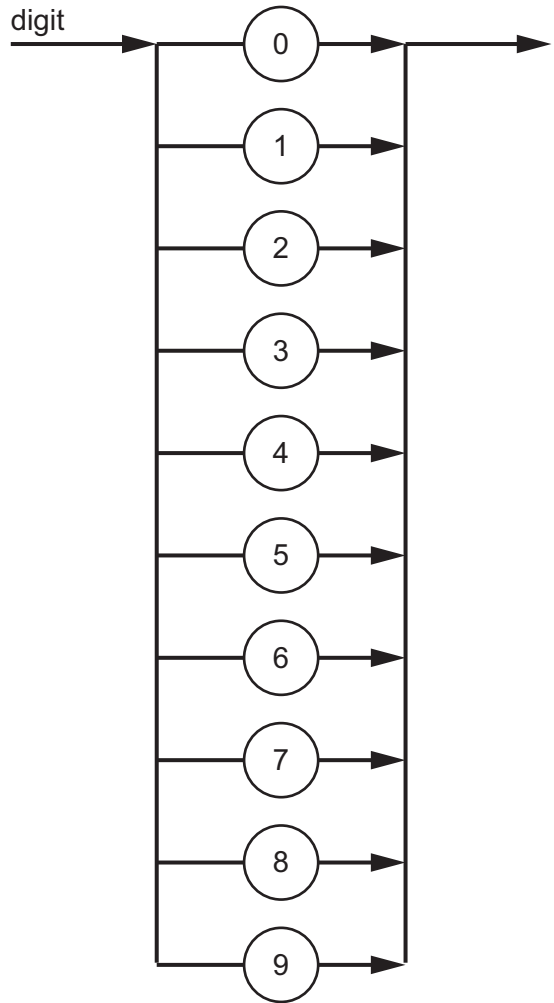
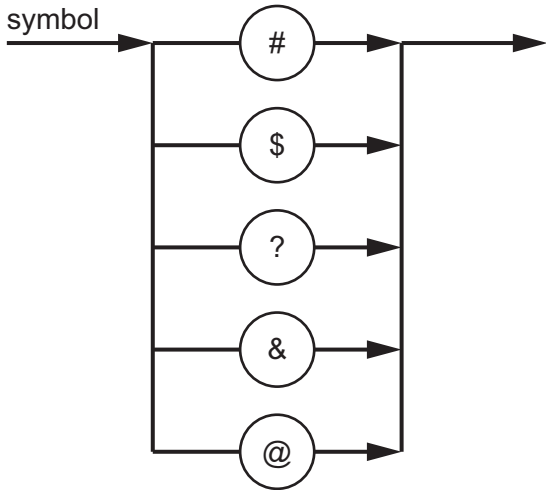
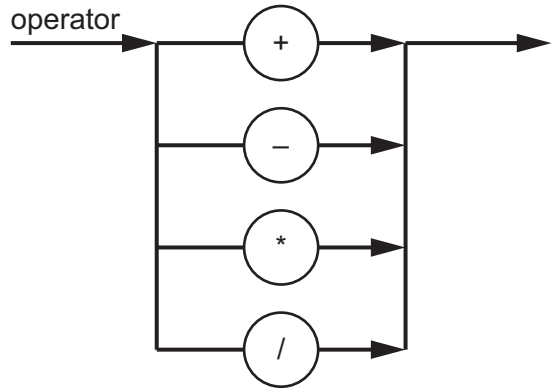
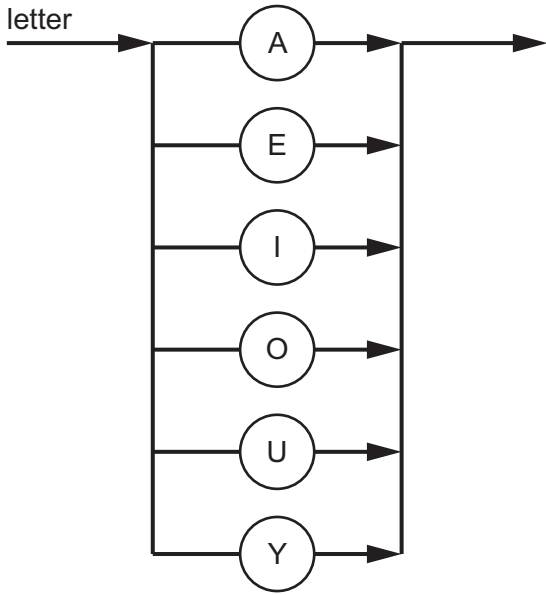
[5]



DO NOT WRITE IN THIS MARGIN



10 Several syntax diagrams are shown.



DO NOT WRITE IN THIS MARGIN



DO NOT WRITE IN THIS MARGIN



(a) Complete the Backus-Naur Form (BNF) for the given syntax diagrams.

<operator> ::=

.....

<label> ::=

.....

<equation> ::=

.....

[4]

(b) A new syntax rule, **password**, is required. It must begin with a letter or a symbol, followed by a digit and end with one or two symbols.

(i) Draw a syntax diagram for **password**.

[3]

(ii) Write the BNF for **password**.

.....

.....

.....

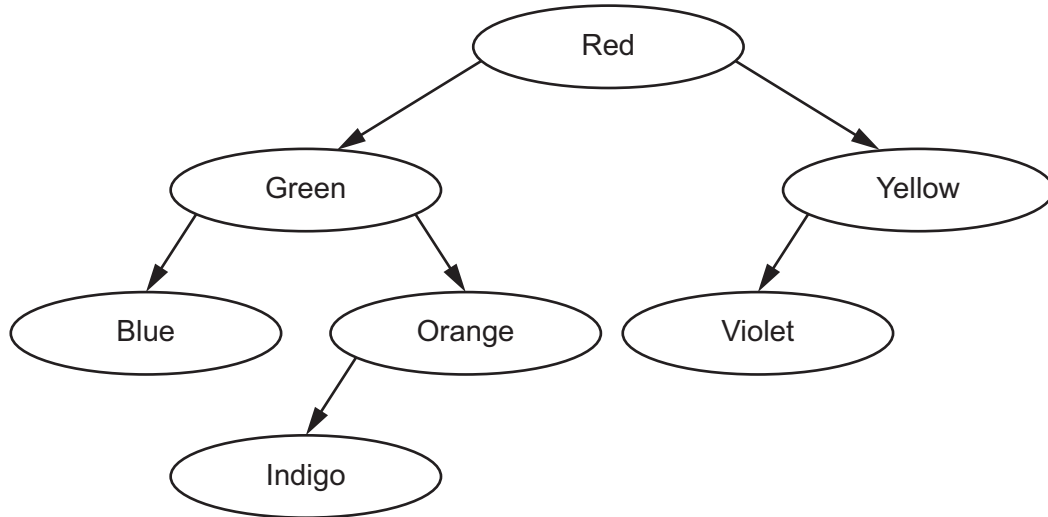
..... [2]



DO NOT WRITE IN THIS MARGIN



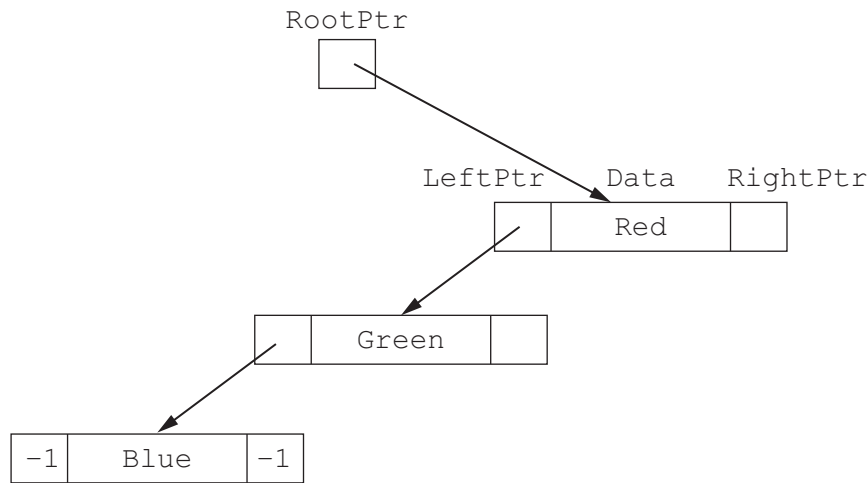
11 The following diagram shows an ordered binary tree.



(a) A linked list of nodes is used to store the data. Each node consists of a left pointer, the data and a right pointer.

-1 is used to represent a null pointer.

Complete this linked list to represent the given binary tree.



DO NOT WRITE IN THIS MARGIN

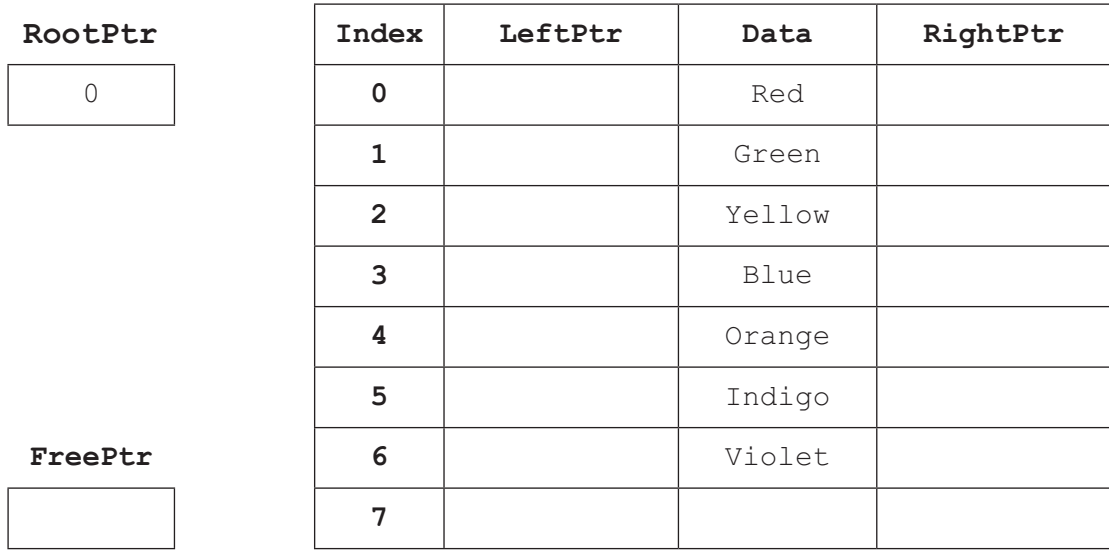
[4]





(b) A user-defined record structure is used to store the nodes of the linked list in part (a).

Complete the diagram, using your answer for part (a).



[4]

(c) The linked list in part (a) is implemented using a 1D array of records. Each record contains a left pointer, data and a right pointer.

The following pseudocode represents a function that searches for an element in the array of records BinTree. It returns the index of the record if the element is found, or it returns a null pointer if the element is not found.

Complete the pseudocode for the function.

```

FUNCTION SearchTree(Item : STRING) .....

    NowPtr ← .....

    WHILE NowPtr <> -1

        IF ..... THEN

            NowPtr ← BinTree[NowPtr].LeftPtr

        ELSE

            IF BinTree[NowPtr].Data < Item THEN

                .....

            ELSE

                RETURN NowPtr

            ENDIF

        ENDIF

    ENDWHILE

    RETURN NowPtr

ENDFUNCTION

```

[4]

DO NOT WRITE IN THIS MARGIN







BLANK PAGE

DO NOT WRITE IN THIS MARGIN





BLANK PAGE

DO NOT WRITE IN THIS MARGIN

DO NOT WRITE IN THIS MARGIN

DO NOT WRITE IN THIS MARGIN

DO NOT WRITE IN THIS MARGIN

DO NOT WRITE IN THIS MARGIN

Permission to reproduce items where third-party owned material protected by copyright is included has been sought and cleared where possible. Every reasonable effort has been made by the publisher (UCLES) to trace copyright holders, but if any items requiring clearance have unwittingly been included, the publisher will be pleased to make amends at the earliest possible opportunity.

To avoid the issue of disclosure of answer-related information to candidates, all copyright acknowledgements are reproduced online in the Cambridge Assessment International Education Copyright Acknowledgements Booklet. This is produced for each series of examinations and is freely available to download at www.cambridgeinternational.org after the live examination series.

Cambridge Assessment International Education is part of Cambridge Assessment. Cambridge Assessment is the brand name of the University of Cambridge Local Examinations Syndicate (UCLES), which is a department of the University of Cambridge.

